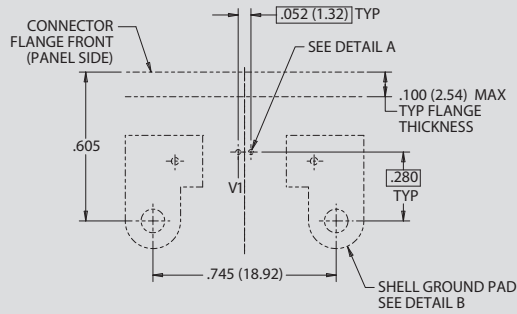


"ZERO-CROSSTALK" M83513 Micro-D VersaLink™ Connectors

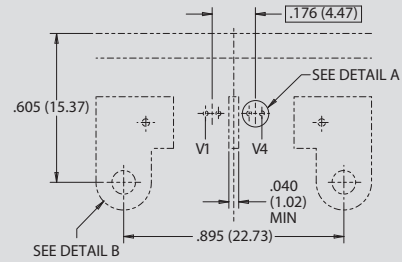


GVLM-1002: GVLRPM-BR, Rear Panel Mount, Right Angle PCB Connector Footprints

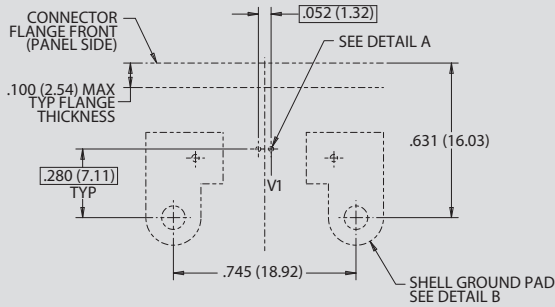
MICRO-D VERSALINK CONNECTORS



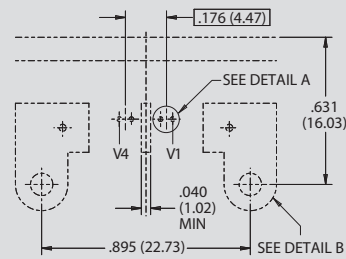
Plug Layout 1-0



Plug Layout 2-0



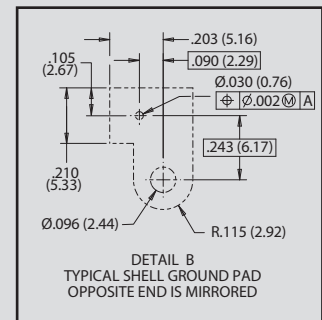
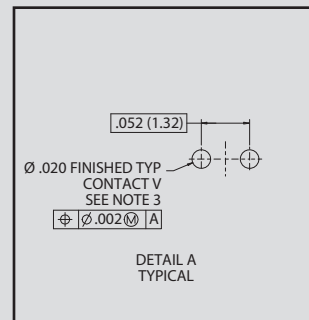
Receptacle Layout 1-0



Receptacle Layout 2-0

NOTES

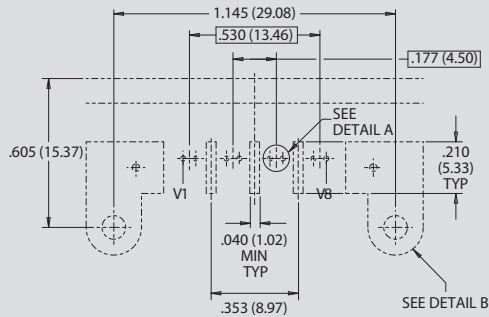
1. Patterns shown are for connector mounting side of PC board.
2. Reference GVLRPM-BR for connector details.
3. Reference application notes AN0005 for optimal performance.



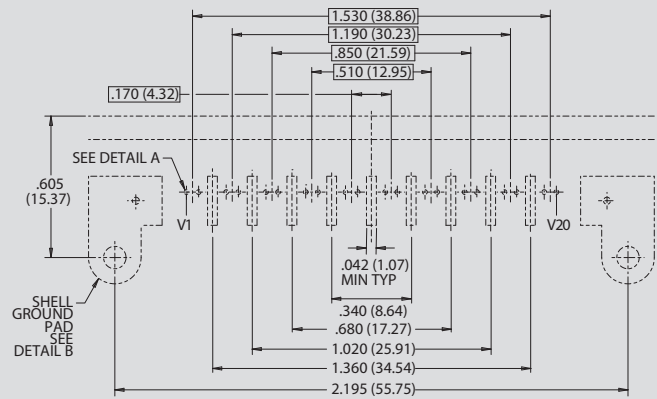
"ZERO-CROSSTALK" M83513 Micro-D VersaLink™ Connectors



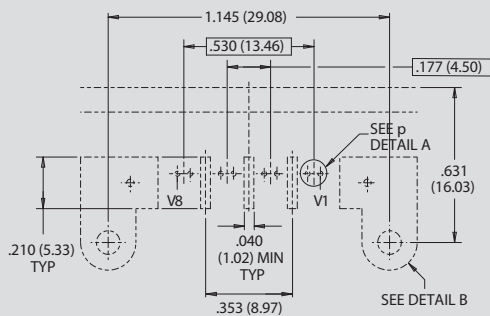
GVLM-1002: GVL RPM-BR, Rear Panel Mount, Right Angle PCB Connector Footprints



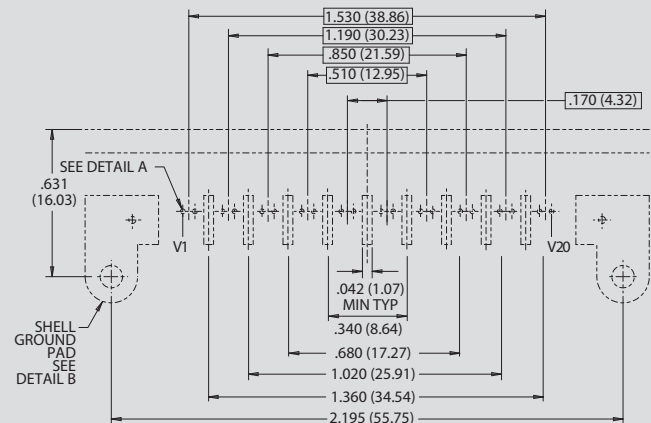
Plug Layout 4-0



Plug Layout 10-0



Receptacle Layout 4-0

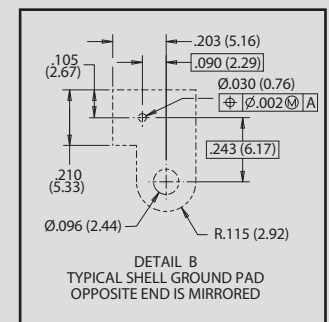
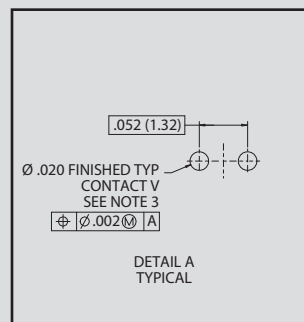


Receptacle Layout 10-0

MICRO-D VERSALINK CONNECTORS

NOTES

1. Patterns shown are for connector mounting side of PC board.
2. Reference GVL RPM-BR for connector details.
3. Reference application notes AN0005 for optimal performance.

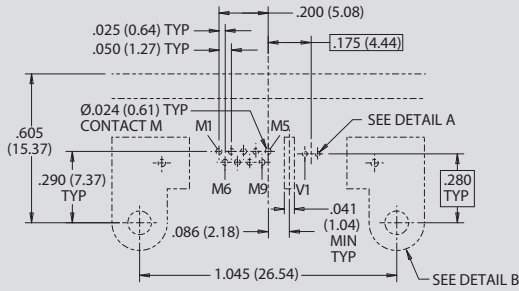


"ZERO-CROSSTALK" M8513 Micro-D VersaLink™ Connectors

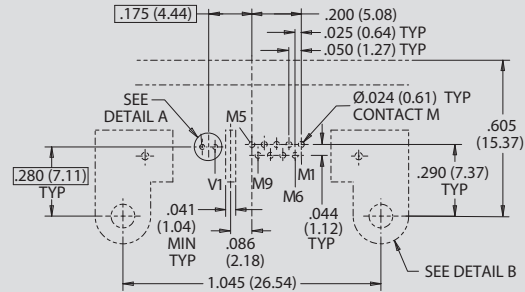


GVLM-1002: GVL RPM-BR, Rear Panel Mount, Right Angle PCB Connector Footprints

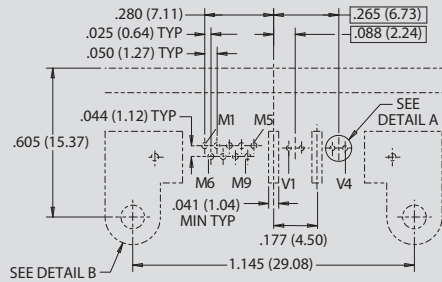
MICRO-D VERSALINK CONNECTORS



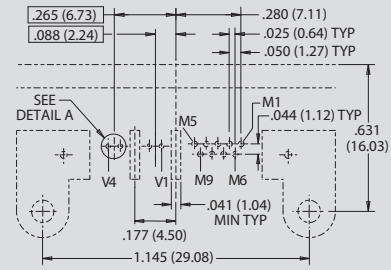
Plug Layout 1-9



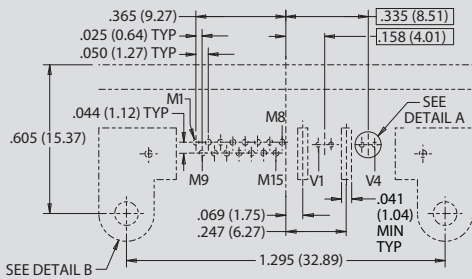
Receptacle Layout 1-9



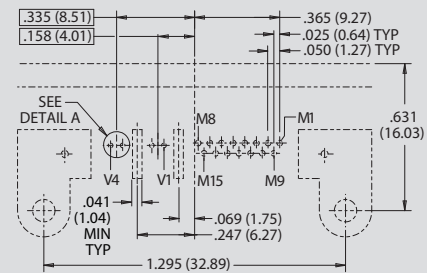
Plug Layout 2-9



Receptacle Layout 2-9



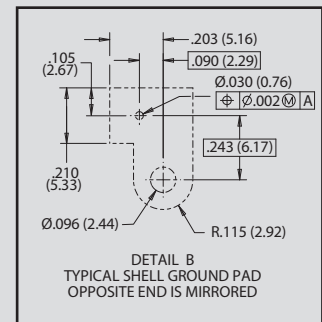
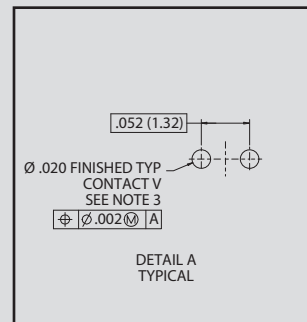
Plug Layout 2-15



Receptacle Layout 2-15

NOTES

1. Patterns shown are for connector mounting side of PC board.
2. Reference GVL RPM-BR for connector details.
3. Reference application notes AN0005 for optimal performance.

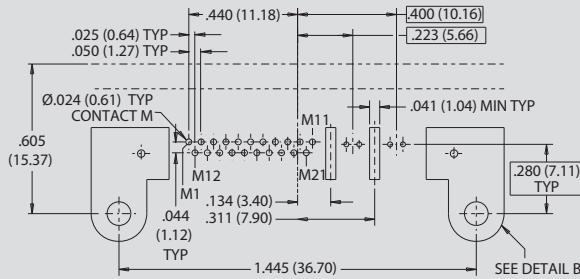


"ZERO-CROSSTALK" M83513 Micro-D VersaLink™ Connectors

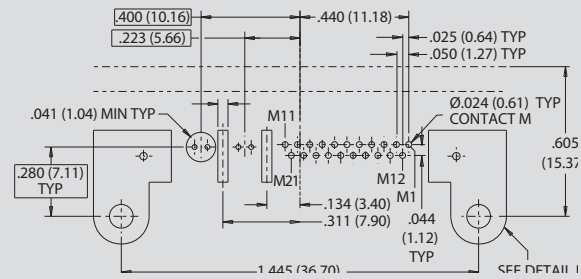


GVLM-1002: GVL RPM-BR, Rear Panel Mount, Right Angle PCB Connector Footprints

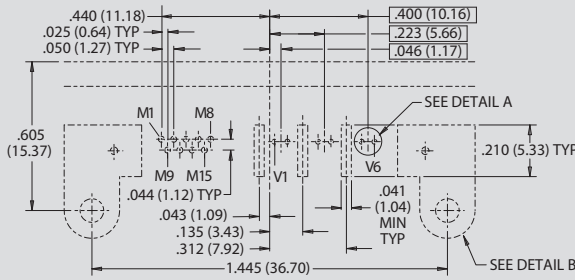
MICRO-D VERSALINK CONNECTORS



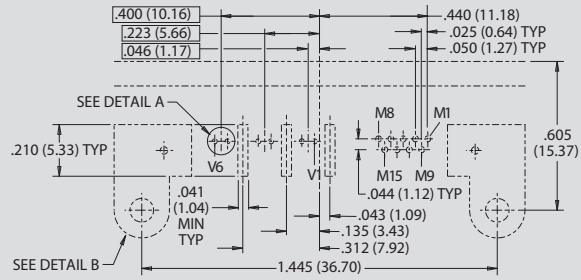
Plug Layout 2-21



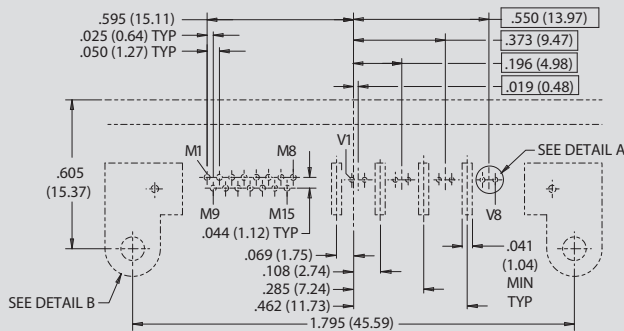
Receptacle Layout 2-21



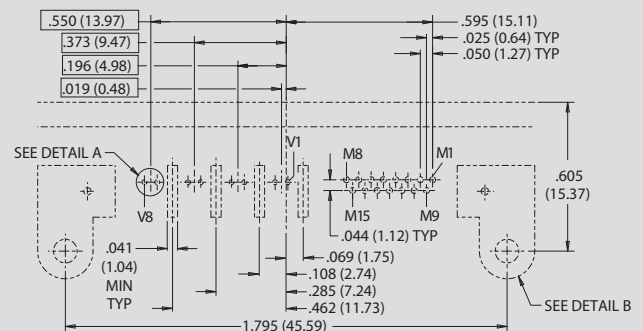
Plug Layout 3-9



Receptacle Layout 3-9



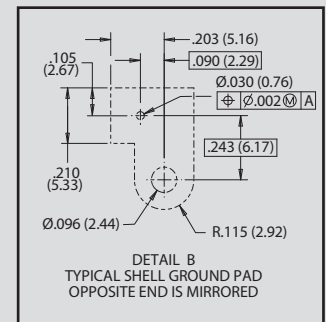
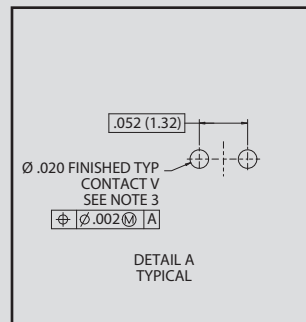
Plug Layout 4-15



Receptacle Layout 4-15

NOTES

1. Patterns shown are for connector mounting side of PC board.
2. Reference GVL RPM-BR for connector details.
3. Reference application notes AN0005 for optimal performance.

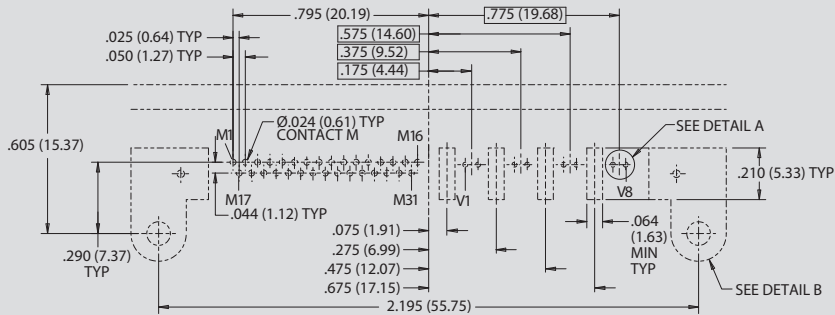


"ZERO-CROSSTALK" M83513 Micro-D VersaLink™ Connectors

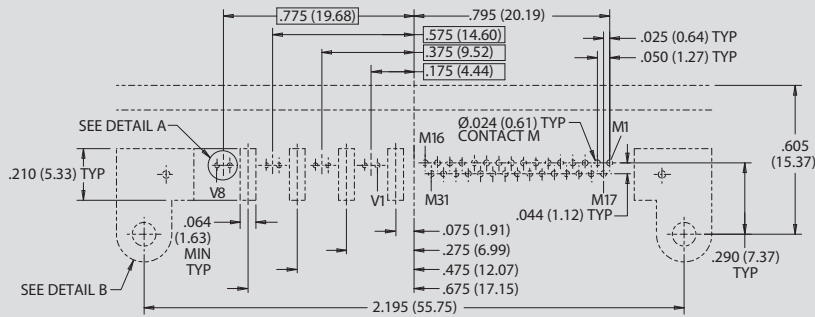


GVLM-1002: GVL RPM-BR, Rear Panel Mount, Right Angle PCB Connector Footprints

MICRO-D VERSALINK CONNECTORS



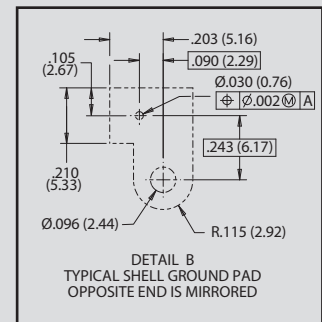
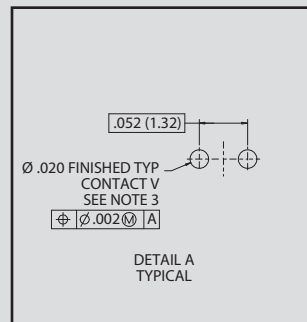
Plug Layout 4-31



Receptacle Layout 4-31

NOTES

1. Patterns shown are for connector mounting side of PC board.
2. Reference GVL RPM-BR for connector details.
3. Reference application notes AN0005 for optimal performance.

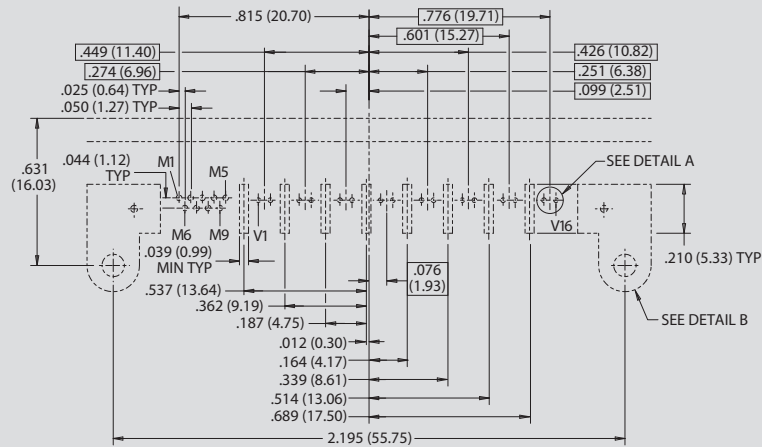


"ZERO-CROSSTALK" M83513 Micro-D VersaLink™ Connectors

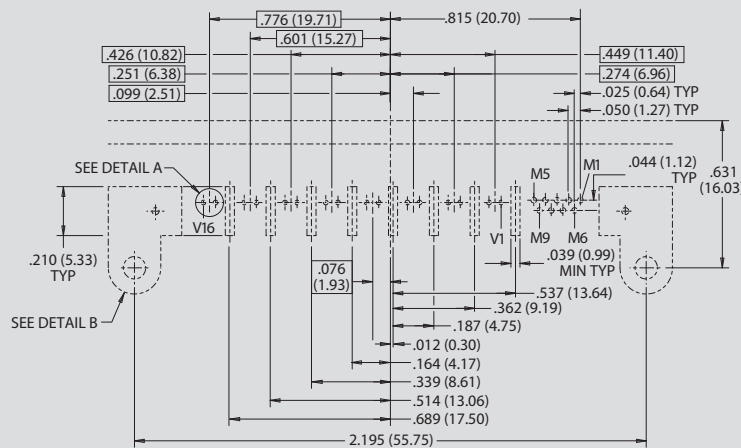


GVLM-1002: GVL RPM-BR, Rear Panel Mount, Right Angle PCB Connector Footprints

MICRO-D VERSALINK CONNECTORS



Plug Layout 8-9



Receptacle Layout 8-9

NOTES

1. Patterns shown are for connector mounting side of PC board.
2. Reference GVL RPM-BR for connector details.
3. Reference application notes AN0005 for optimal performance.

