

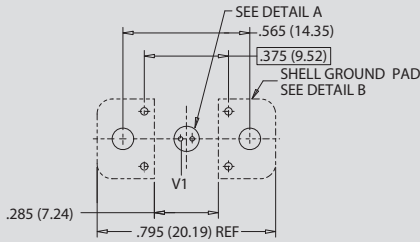
# "ZERO-CROSSTALK" M83513 Micro-D VersaLink™ Connectors



## GVLM-1000: GVLM-BS, Straight PCB Connector Footprints, VersaLink PCB Layout

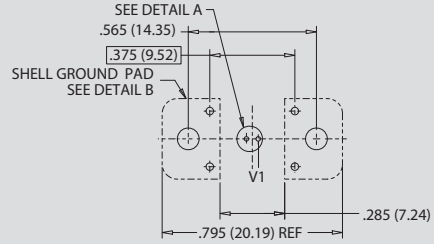
MICRO-D VERSALINK CONNECTORS

### Plug Layout 1-0

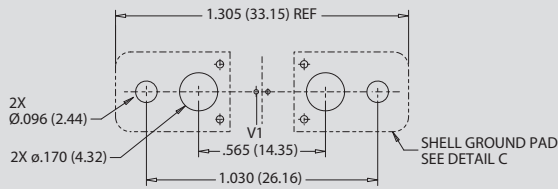


JACKPOST HARDWARE (PN)

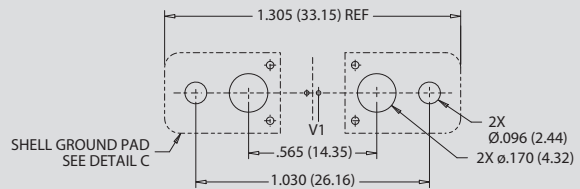
### Receptacle Layout 1-0



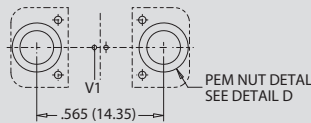
JACKPOST HARDWARE (PN)



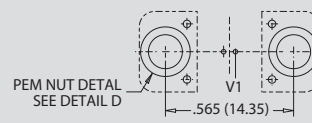
JACKSCREW HARDWARE (L/LU)



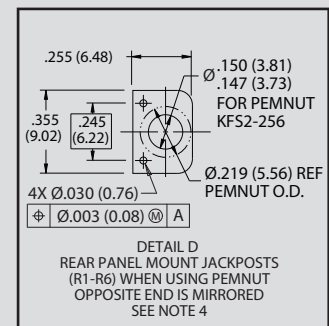
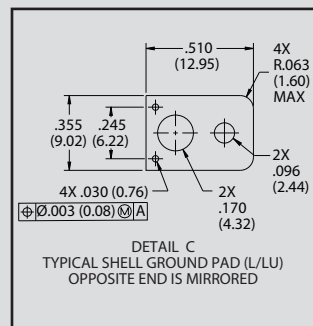
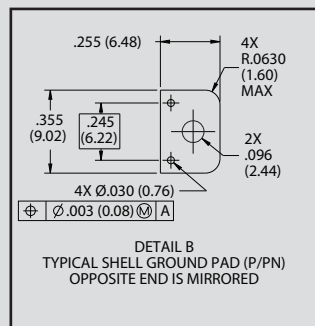
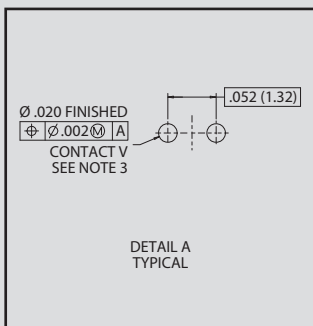
JACKSCREW HARDWARE (L/LU)



REAR PANEL MOUNT JACKPOSTS  
WHEN USING PEM NUT (R1 THRU R6)



REAR PANEL MOUNT JACKPOSTS  
WHEN USING PEM NUT (R1 THRU R6)



### NOTES

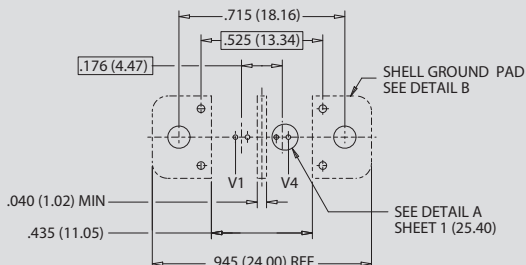
1. Patterns shown are for connector mounting side of PC board.
2. Reference GVLM-BS for connector details.
3. Reference application notes AN0005 for optimal performance.
4. PEM nuts are the recommended solution for rear panel mount hardware. When using loose nuts to secure to panel, use the same footprint as the "P" hardware option shown in Detail B.

# "ZERO-CROSSTALK" M83513 Micro-D VersaLink™ Connectors



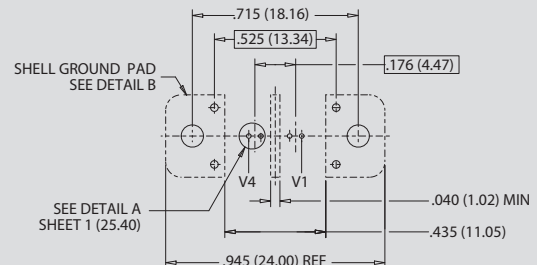
## GVLM-1000: GVLM-BS, Straight PCB Connector Footprints, VersaLink PCB Layout

### Plug Layout 2-0

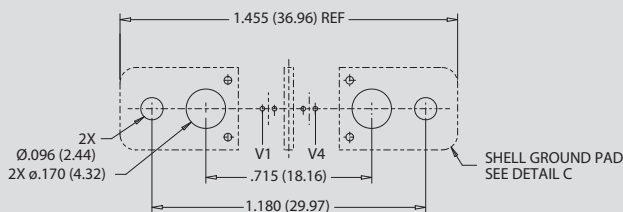


JACKPOST HARDWARE (PN)

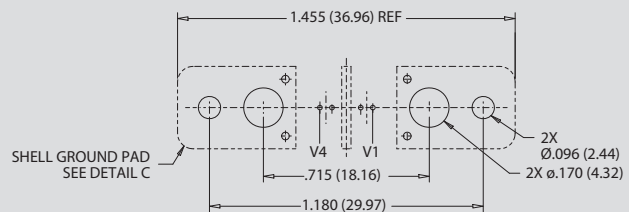
### Receptacle Layout 2-0



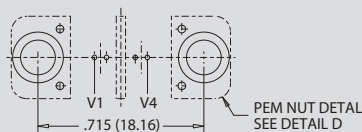
JACKPOST HARDWARE (PN)



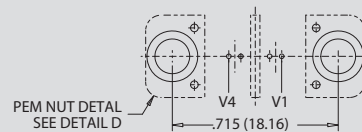
JACKSCREW HARDWARE (L/LU)



JACKSCREW HARDWARE (L/LU)

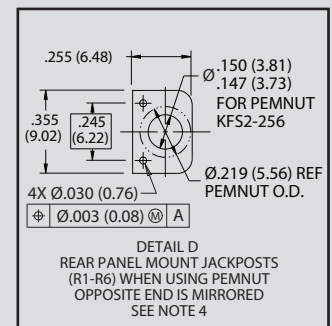
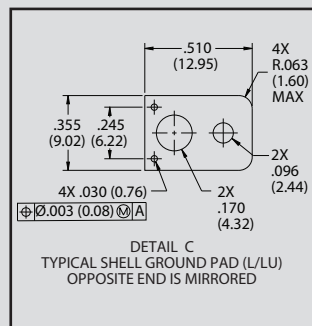
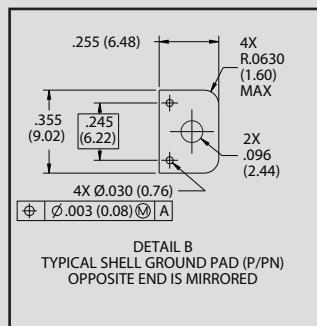
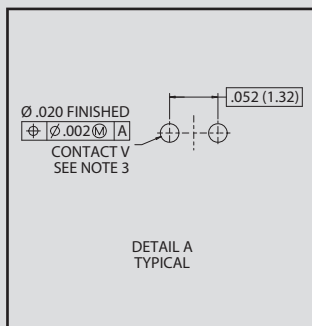


REAR PANEL MOUNT JACKPOSTS  
WHEN USING PEM NUT (R1 THRU R6)



REAR PANEL MOUNT JACKPOSTS  
WHEN USING PEM NUT (R1 THRU R6)

MICRO-D VERSALINK CONNECTORS



### NOTES

1. Patterns shown are for connector mounting side of PC board.
2. Reference GVLM-BS for connector details.
3. Reference application notes AN0005 for optimal performance.
4. PEM nuts are the recommended solution for rear panel mount hardware. When using loose nuts to secure to panel, use the same footprint as the "P" hardware option shown in Detail B.

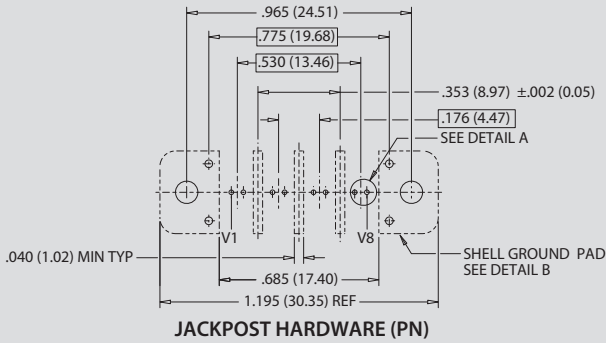
# "ZERO-CROSSTALK" M83513 Micro-D VersaLink™ Connectors



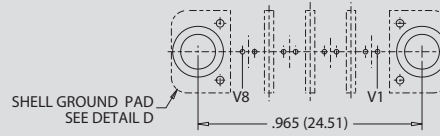
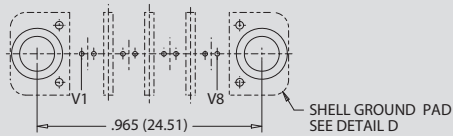
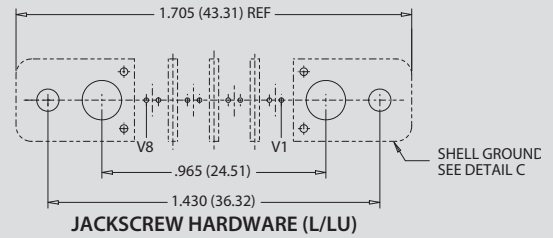
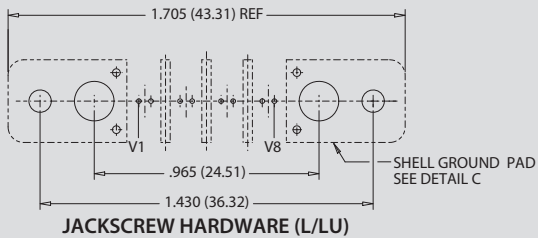
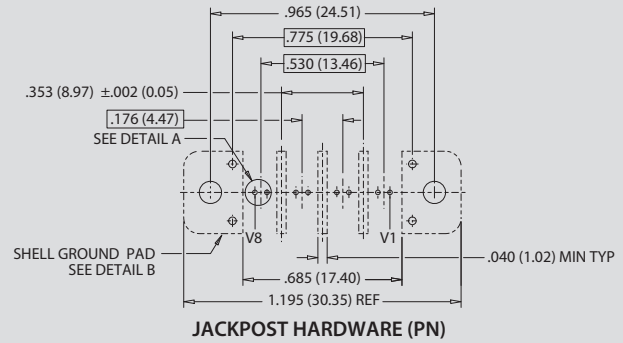
## GVLM-1000: GVLM-BS, Straight PCB Connector Footprints, VersaLink PCB Layout

MICRO-D VERSALINK CONNECTORS

### Plug Layout 4-0

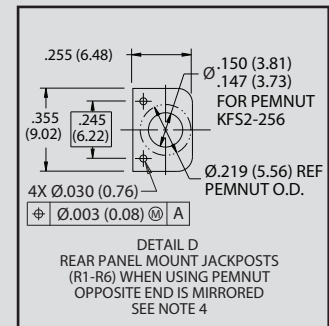
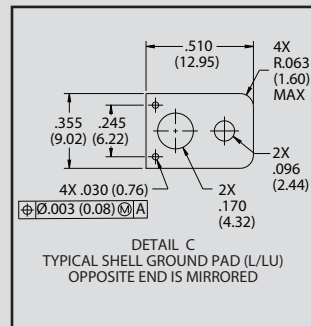
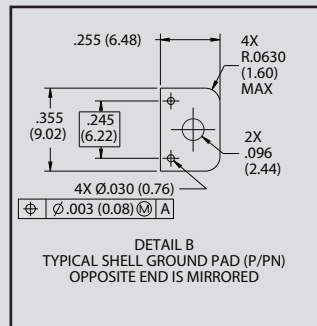
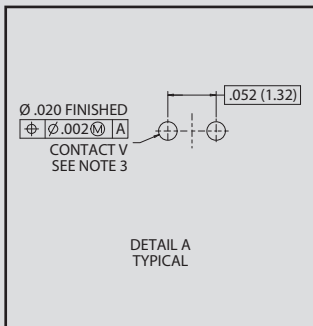


### Receptacle Layout 4-0



### REAR PANEL MOUNT JACKPOSTS WHEN USING PEM NUT (R1 THRU R6)

### REAR PANEL MOUNT JACKPOSTS WHEN USING PEM NUT (R1 THRU R6)



### NOTES

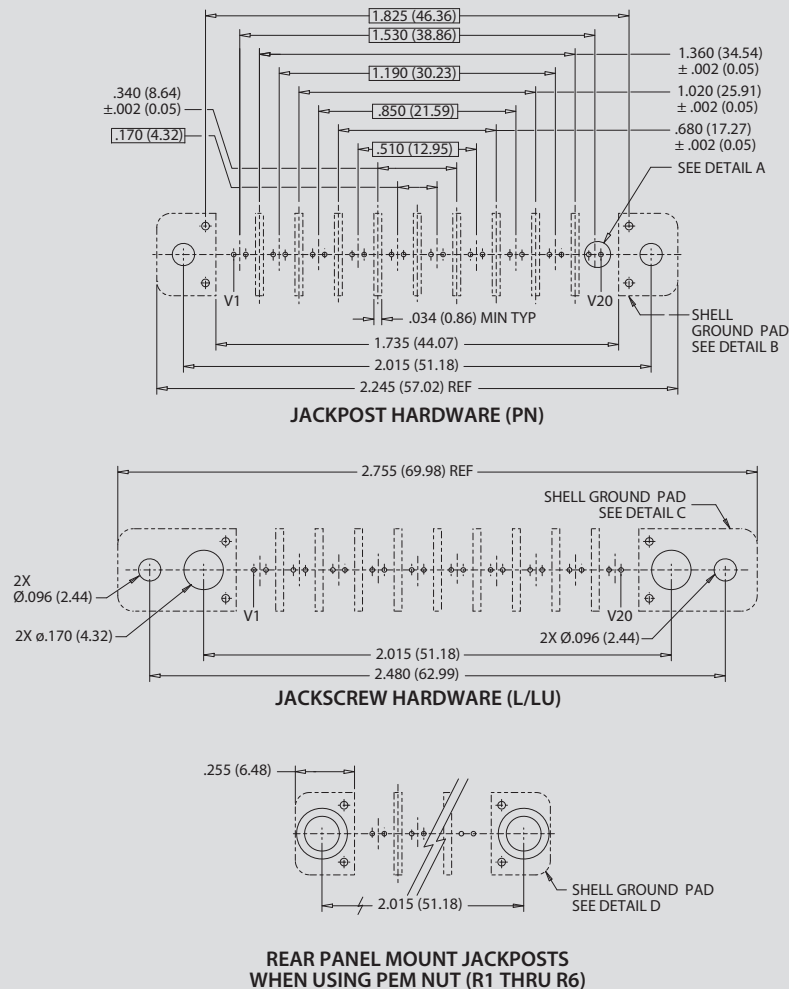
1. Patterns shown are for connector mounting side of PC board.
2. Reference GVLM-BS for connector details.
3. Reference application notes AN0005 for optimal performance.
4. PEM nuts are the recommended solution for rear panel mount hardware. When using loose nuts to secure to panel, use the same footprint as the "P" hardware option shown in Detail B.

# "ZERO-CROSSTALK" M83513 Micro-D VersaLink™ Connectors

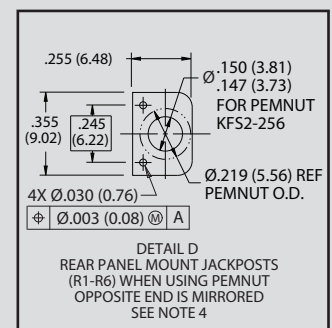
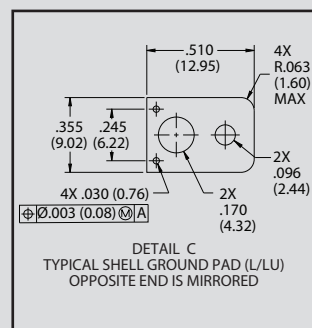
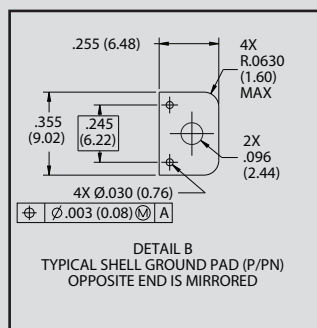
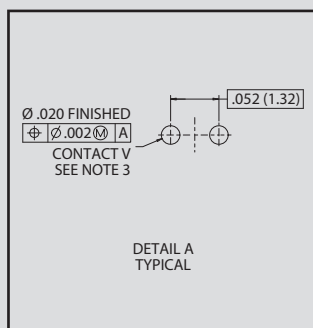


## GVLM-1000: GVLM-BS, Straight PCB Connector Footprints, VersaLink PCB Layout

### Plug Layout 10-0



MICRO-D VERSALINK CONNECTORS



### NOTES

1. Patterns shown are for connector mounting side of PC board.
2. Reference GVLM-BS for connector details.
3. Reference application notes AN0005 for optimal performance.
4. PEM nuts are the recommended solution for rear panel mount hardware. When using loose nuts to secure to panel, use the same footprint as the "P" hardware option shown in Detail B.

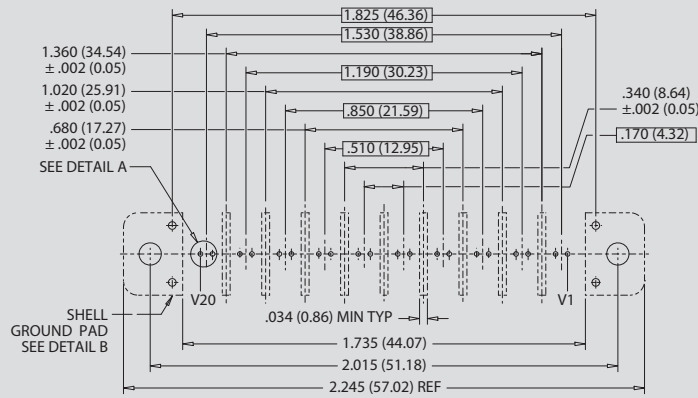
# "ZERO-CROSSTALK" M83513 Micro-D VersaLink™ Connectors



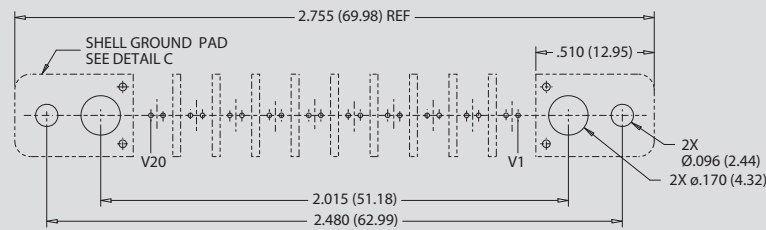
GVLM-1000: GVLM-BS, Straight PCB Connector Footprints, VersaLink PCB Layout

MICRO-D VERSALINK CONNECTORS

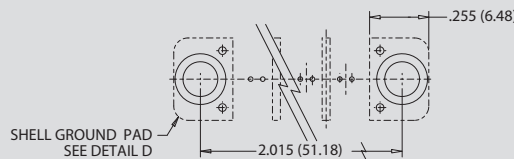
## Receptacle Layout 10-0



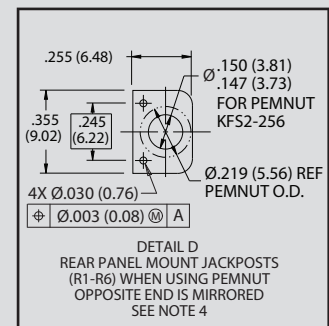
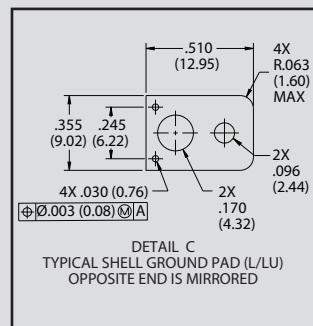
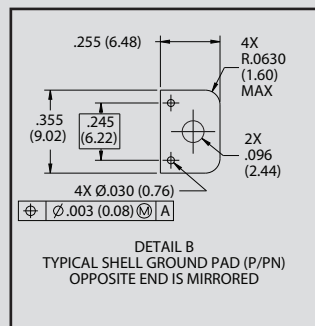
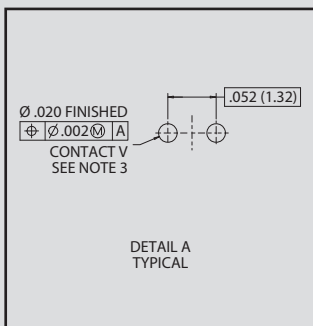
JACKPOST HARDWARE (PN)



JACKSCREW HARDWARE (L/LU)



REAR PANEL MOUNT JACKPOSTS  
WHEN USING PEM NUT (R1 THRU R6)



## NOTES

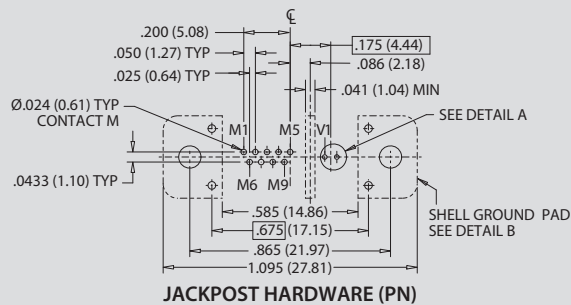
1. Patterns shown are for connector mounting side of PC board.
2. Reference GVLM-BS for connector details.
3. Reference application notes AN0005 for optimal performance.
4. PEM nuts are the recommended solution for rear panel mount hardware. When using loose nuts to secure to panel, use the same footprint as the "P" hardware option shown in Detail B.

# "ZERO-CROSSTALK" M83513 Micro-D VersaLink™ Connectors



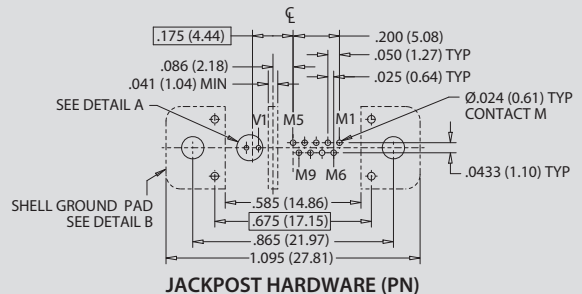
## GVLM-1000: GVLM-BS, Straight PCB Connector Footprints, VersaLink PCB Layout

### Plug Layout 1-9

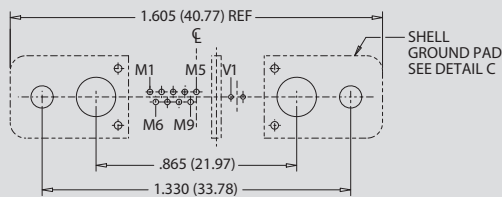


JACKPOST HARDWARE (PN)

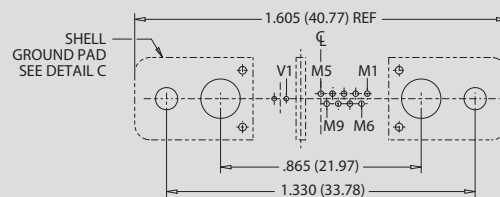
### Receptacle Layout 1-9



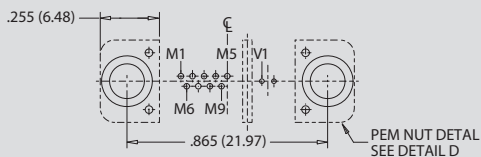
JACKPOST HARDWARE (PN)



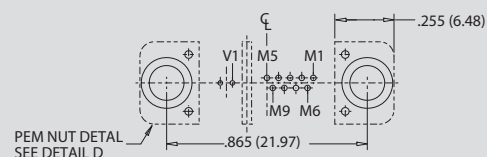
JACKSCREW HARDWARE (L/LU)



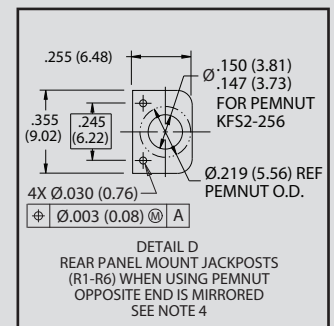
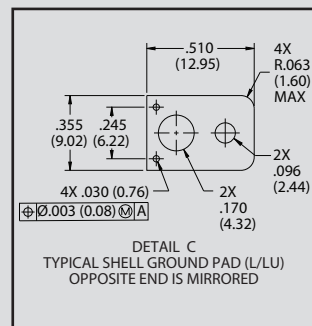
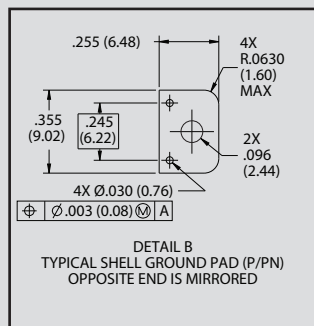
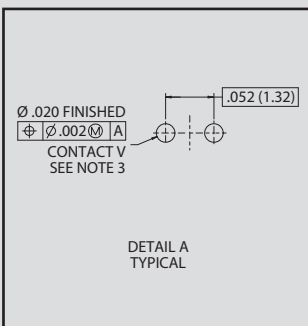
JACKSCREW HARDWARE (L/LU)



REAR PANEL MOUNT JACKPOSTS  
WHEN USING PEM NUT (R1 THRU R6)



REAR PANEL MOUNT JACKPOSTS  
WHEN USING PEM NUT (R1 THRU R6)



### NOTES

1. Patterns shown are for connector mounting side of PC board.
2. Reference GVLM-BS for connector details.
3. Reference application notes AN0005 for optimal performance.
4. PEM nuts are the recommended solution for rear panel mount hardware. When using loose nuts to secure to panel, use the same footprint as the "P" hardware option shown in Detail B.

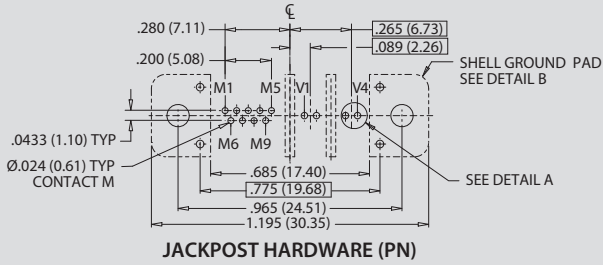
# "ZERO-CROSSTALK" M83513 Micro-D VersaLink™ Connectors



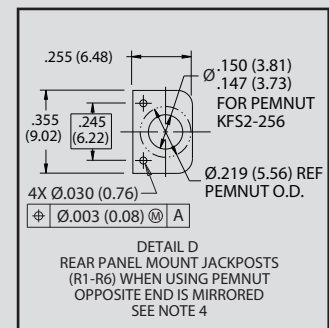
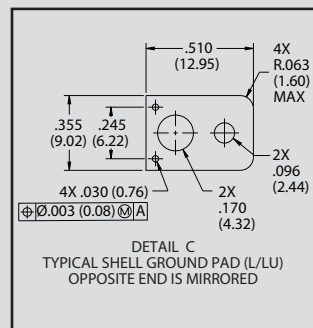
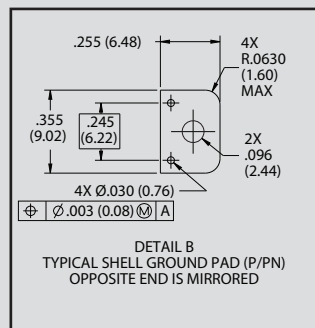
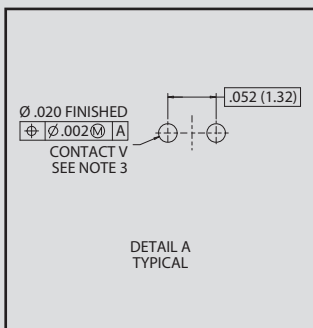
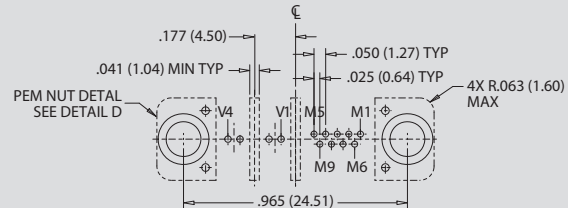
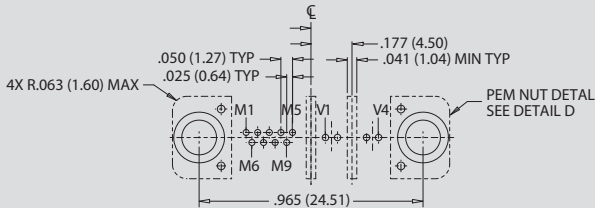
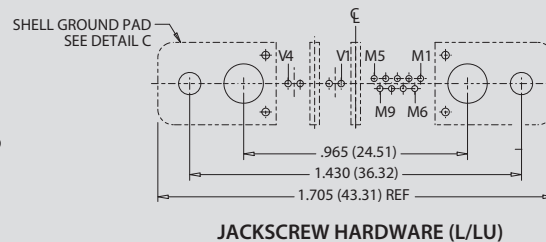
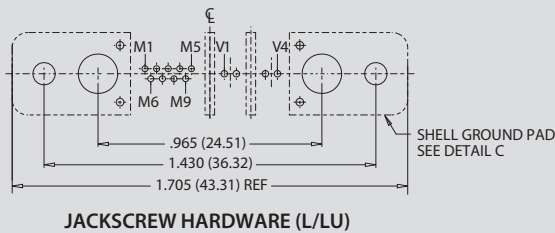
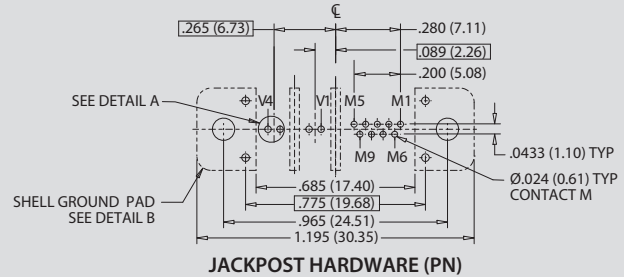
## GVLM-1000: GVLM-BS, Straight PCB Connector Footprints, VersaLink PCB Layout

MICRO-D VERSALINK CONNECTORS

### Plug Layout 2-9



### Receptacle Layout 2-9



### NOTES

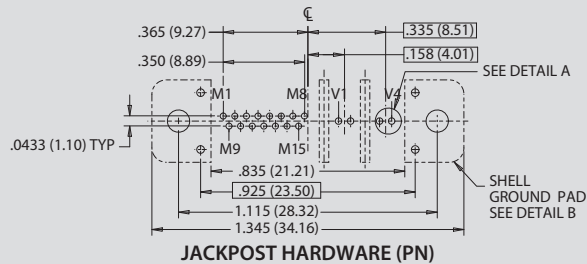
1. Patterns shown are for connector mounting side of PC board.
2. Reference GVLM-BS for connector details.
3. Reference application notes AN0005 for optimal performance.
4. PEM nuts are the recommended solution for rear panel mount hardware. When using loose nuts to secure to panel, use the same footprint as the "P" hardware option shown in Detail B.

# "ZERO-CROSSTALK" M83513 Micro-D VersaLink™ Connectors



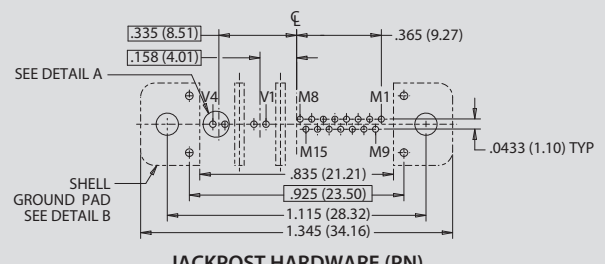
## GVLM-1000: GVLM-BS, Straight PCB Connector Footprints, VersaLink PCB Layout

### Plug Layout 2-15

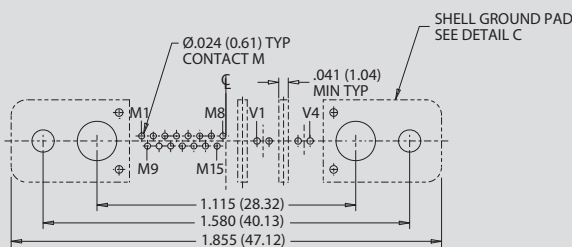


JACKPOST HARDWARE (PN)

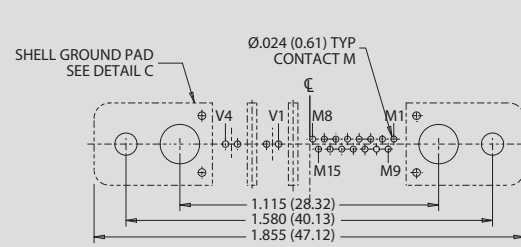
### Receptacle Layout 2-15



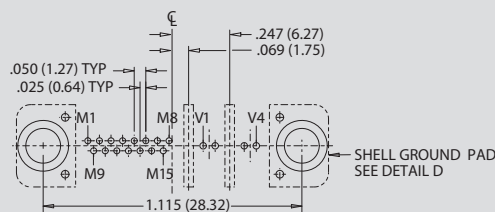
JACKPOST HARDWARE (PN)



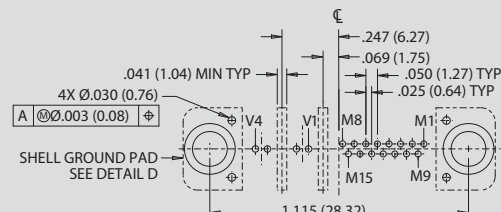
JACKSCREW HARDWARE (L/LU)



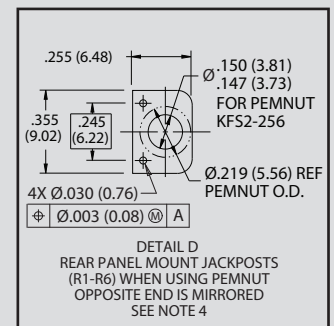
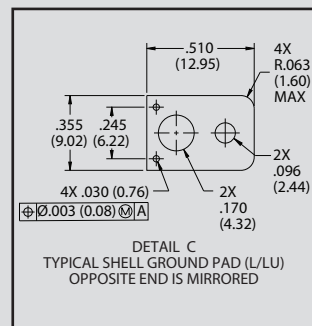
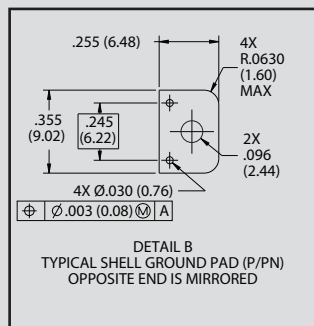
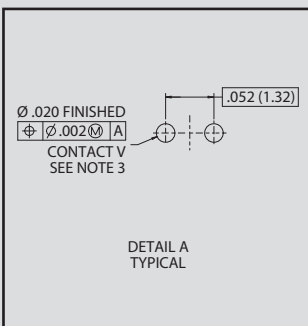
JACKSCREW HARDWARE (L/LU)



REAR PANEL MOUNT JACKPOSTS  
WHEN USING PEM NUT (R1 THRU R6)



REAR PANEL MOUNT JACKPOSTS  
WHEN USING PEM NUT (R1 THRU R6)



### NOTES

1. Patterns shown are for connector mounting side of PC board.
2. Reference GVLM-BS for connector details.
3. Reference application notes AN0005 for optimal performance.
4. PEM nuts are the recommended solution for rear panel mount hardware. When using loose nuts to secure to panel, use the same footprint as the "P" hardware option shown in Detail B.

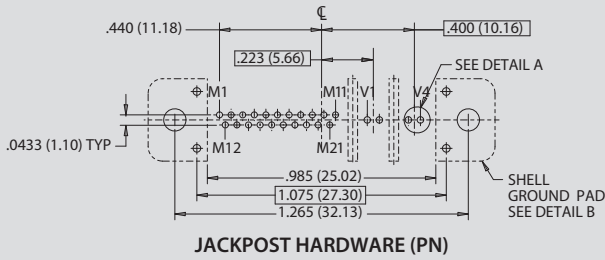
# "ZERO-CROSSTALK" M83513 Micro-D VersaLink™ Connectors



## GVLM-1000: GVLM-BS, Straight PCB Connector Footprints, VersaLink PCB Layout

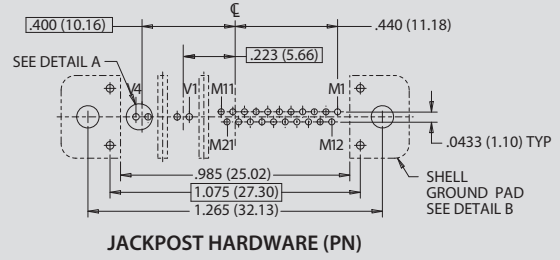
MICRO-D VERSALINK CONNECTORS

### Plug Layout 2-21

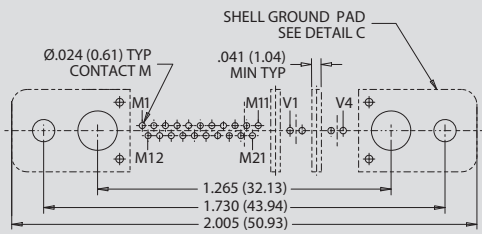


JACKPOST HARDWARE (PN)

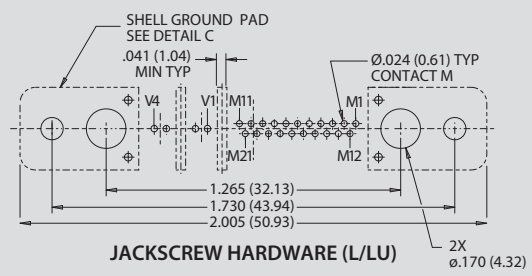
### Receptacle Layout 2-21



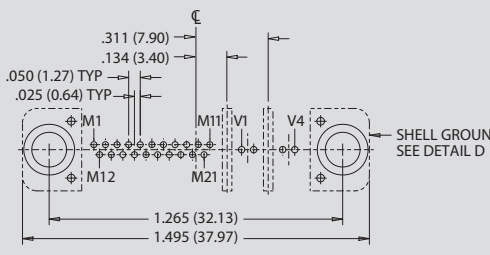
JACKPOST HARDWARE (PN)



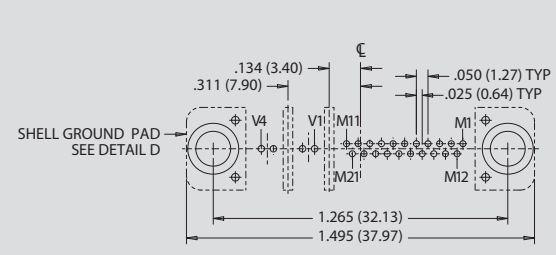
JACKSCREW HARDWARE (L/LU)



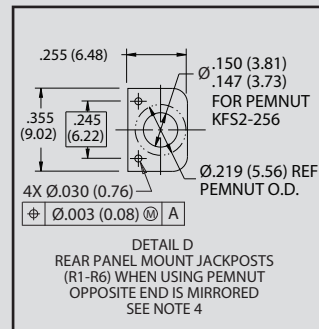
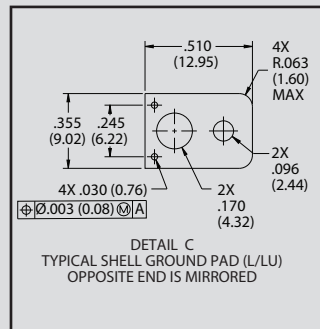
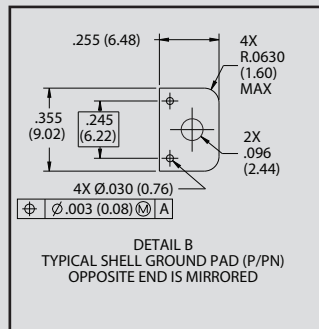
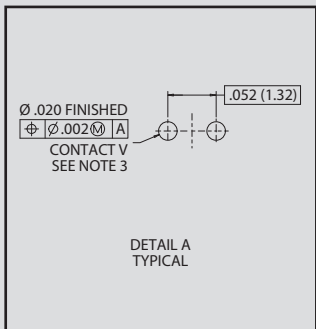
JACKSCREW HARDWARE (L/LU)



REAR PANEL MOUNT JACKPOSTS  
WHEN USING PEM NUT (R1 THRU R6)



REAR PANEL MOUNT JACKPOSTS  
WHEN USING PEM NUT (R1 THRU R6)



### NOTES

1. Patterns shown are for connector mounting side of PC board.
2. Reference GVLM-BS for connector details.
3. Reference application notes AN0005 for optimal performance.
4. PEM nuts are the recommended solution for rear panel mount hardware. When using loose nuts to secure to panel, use the same footprint as the "P" hardware option shown in Detail B.

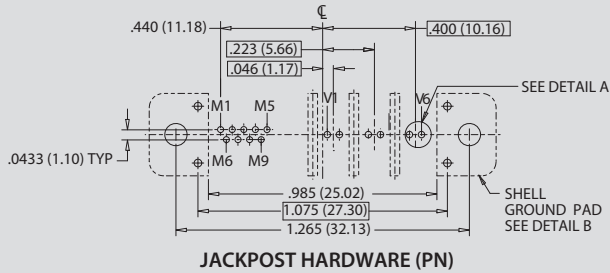
# "ZERO-CROSSTALK" M83513 Micro-D VersaLink™ Connectors



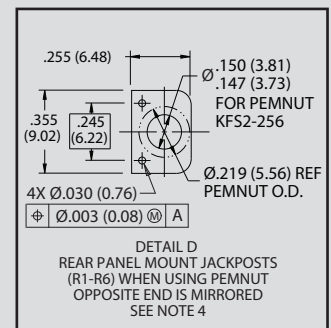
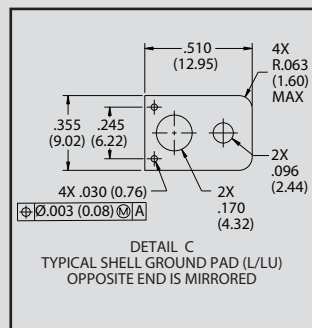
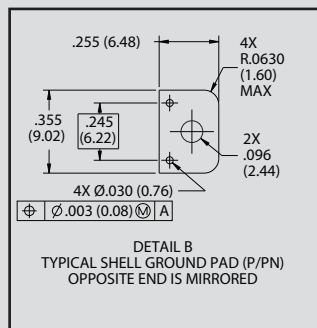
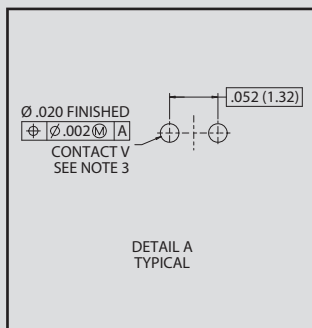
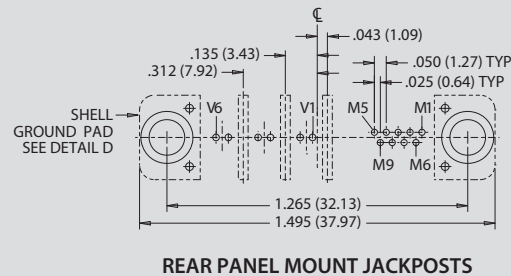
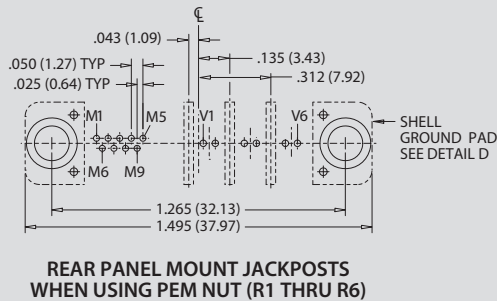
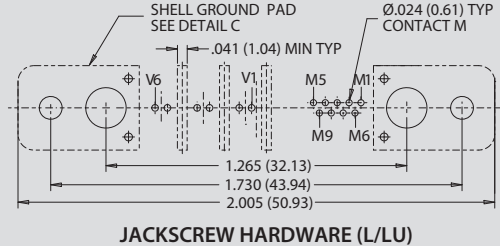
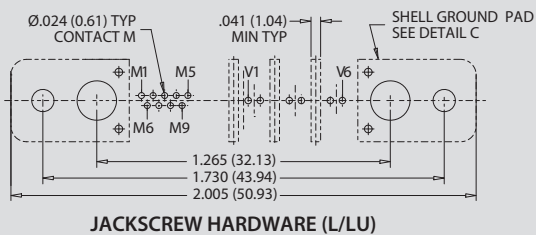
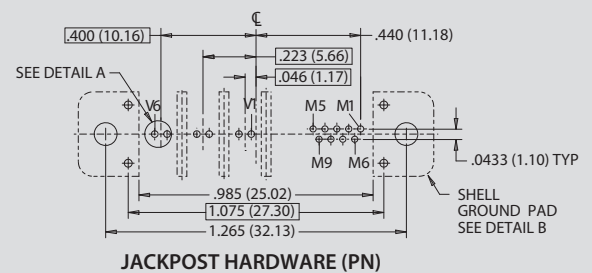
## GVLM-1000: GVLM-BS, Straight PCB Connector Footprints, VersaLink PCB Layout

MICRO-D VERSALINK CONNECTORS

**Plug Layout 3-9**



**Receptacle Layout 3-9**



**NOTES**

1. Patterns shown are for connector mounting side of PC board.
2. Reference GVLM-BS for connector details.
3. Reference application notes AN0005 for optimal performance.
4. PEM nuts are the recommended solution for rear panel mount hardware. When using loose nuts to secure to panel, use the same footprint as the "P" hardware option shown in Detail B.

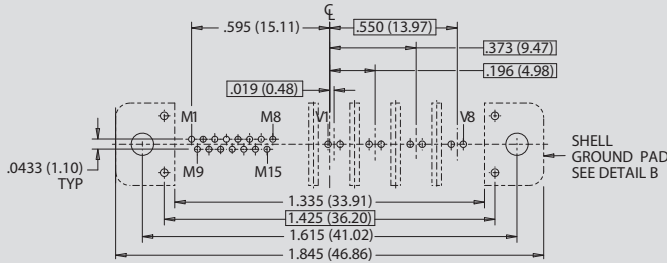
# "ZERO-CROSSTALK" M83513 Micro-D VersaLink™ Connectors



## GVLM-1000: GVLM-BS, Straight PCB Connector Footprints, VersaLink PCB Layout

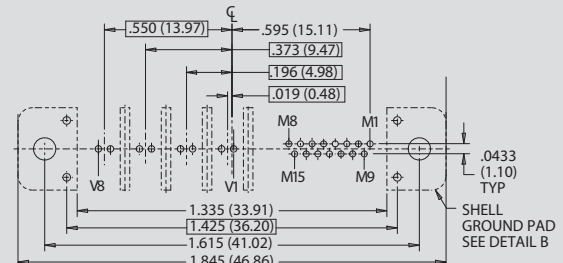
MICRO-D VERSALINK CONNECTORS

### Plug Layout 4-15

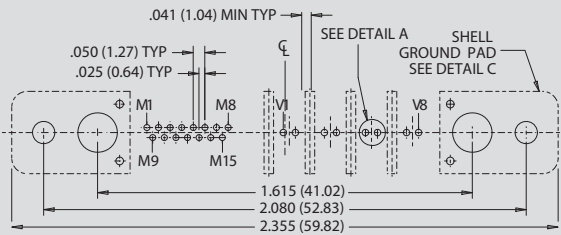


JACKPOST HARDWARE (PN)

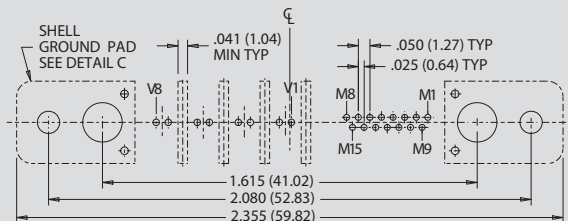
### Receptacle Layout 4-15



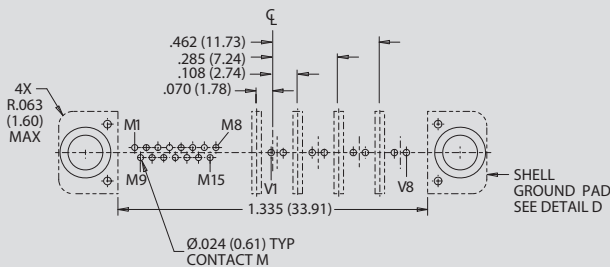
JACKPOST HARDWARE (PN)



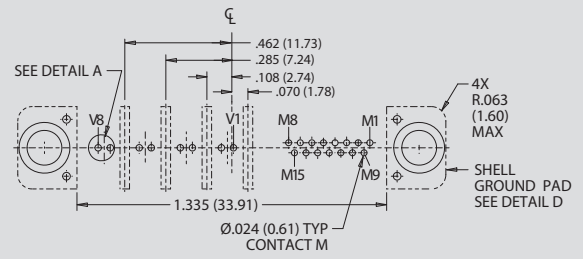
JACKSCREW HARDWARE (L/LU)



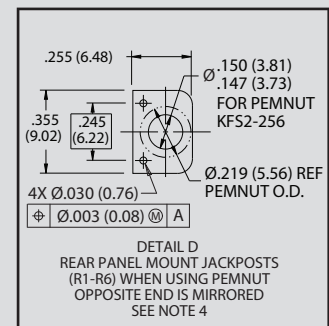
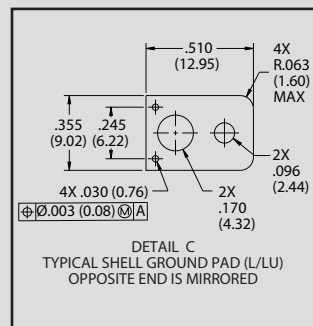
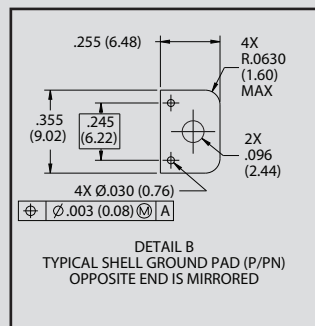
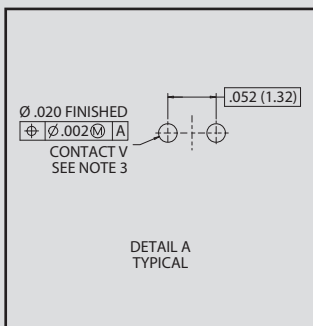
JACKSCREW HARDWARE (L/LU)



REAR PANEL MOUNT JACKPOSTS  
WHEN USING PEM NUT (R1 THRU R6)



REAR PANEL MOUNT JACKPOSTS  
WHEN USING PEM NUT (R1 THRU R6)



### NOTES

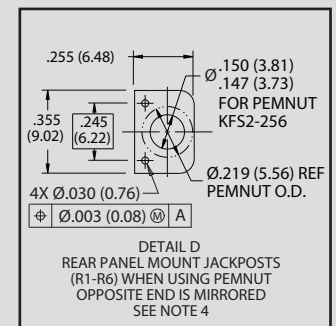
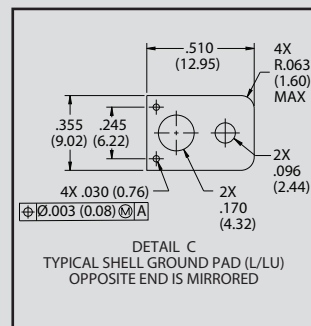
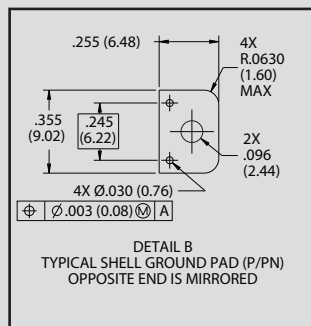
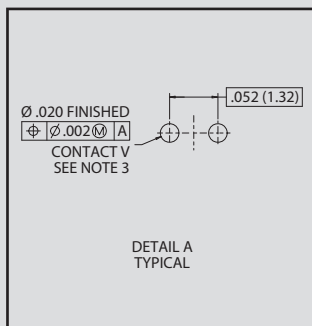
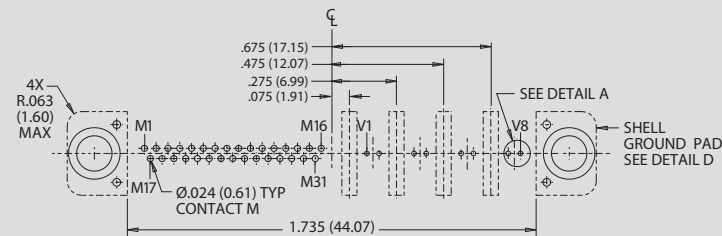
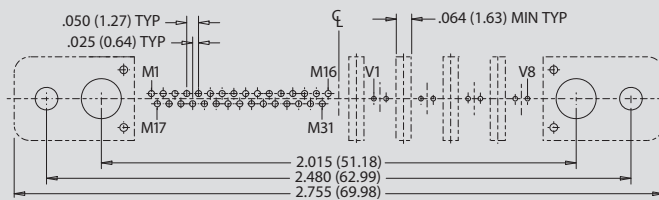
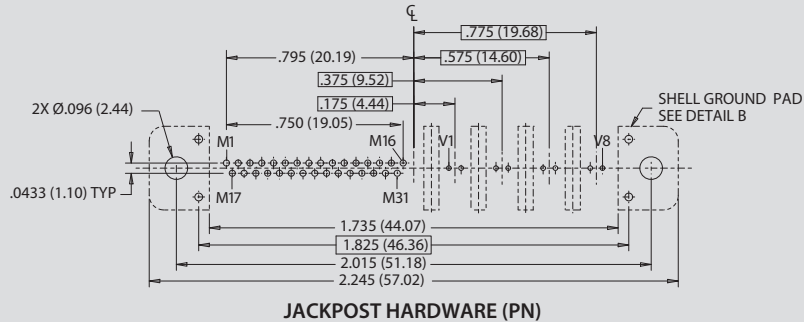
1. Patterns shown are for connector mounting side of PCB board.
2. Reference GVLM-BS for connector details.
3. Reference application notes AN0005 for optimal performance.
4. PEM nuts are the recommended solution for rear panel mount hardware. When using loose nuts to secure to panel, use the same footprint as the "P" hardware option shown in Detail B.

# "ZERO-CROSSTALK" M83513 Micro-D VersaLink™ Connectors



## GVLM-1000: GVLM-BS, Straight PCB Connector Footprints, VersaLink PCB Layout

### Plug Layout 4-31



### NOTES

1. Patterns shown are for connector mounting side of PC board.
2. Reference GVLM-BS for connector details.
3. Reference application notes AN0005 for optimal performance.
4. PEM nuts are the recommended solution for rear panel mount hardware. When using loose nuts to secure to panel, use the same footprint as the "P" hardware option shown in Detail B.

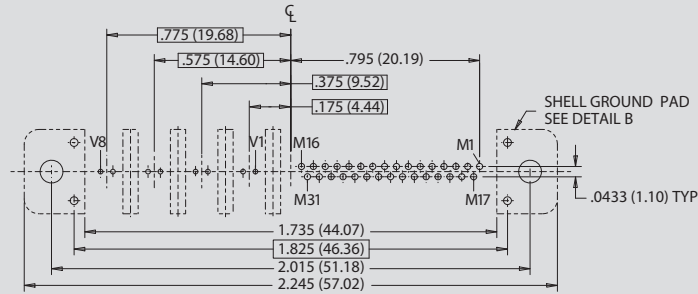
# "ZERO-CROSSTALK" M83513 Micro-D VersaLink™ Connectors



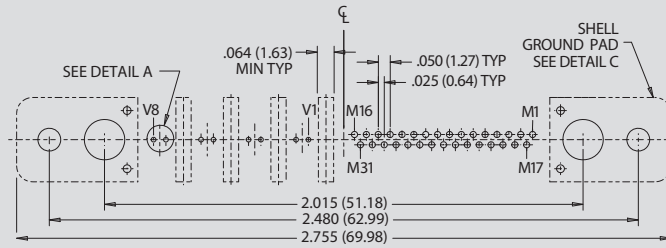
## GVLM-1000: GVLM-BS, Straight PCB Connector Footprints, VersaLink PCB Layout

MICRO-D VERSALINK CONNECTORS

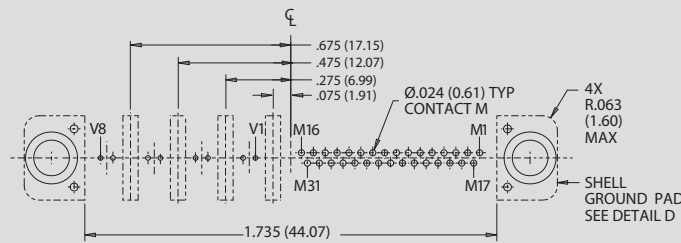
### Receptacle Layout 4-31



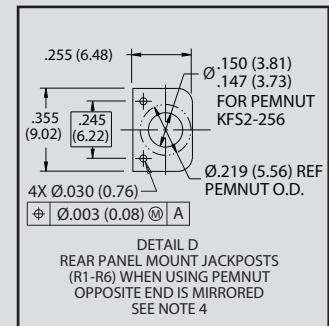
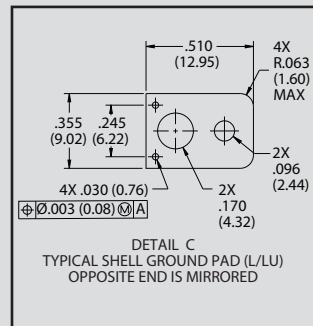
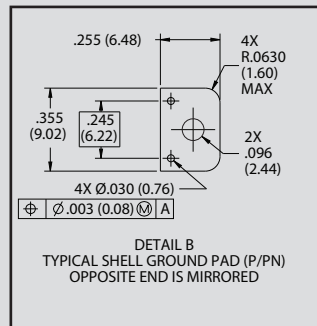
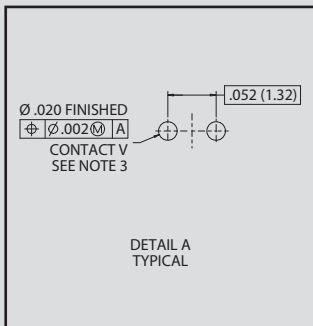
JACKPOST HARDWARE (PN)



JACKSCREW HARDWARE (L/LU)



REAR PANEL MOUNT JACKPOSTS  
WHEN USING PEM NUT (R1 THRU R6)



### NOTES

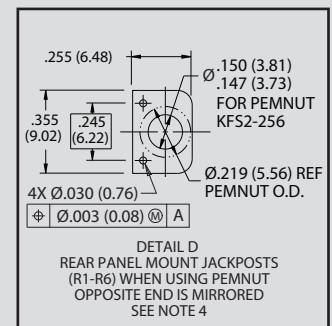
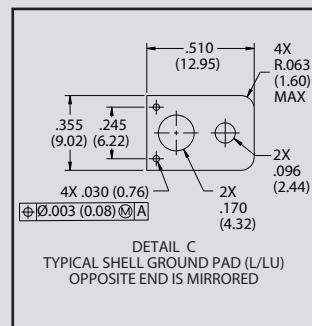
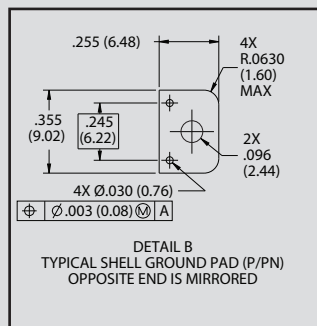
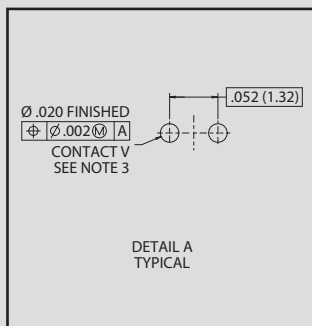
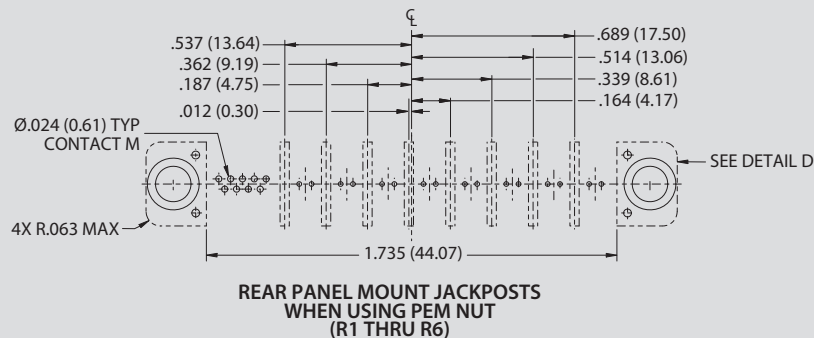
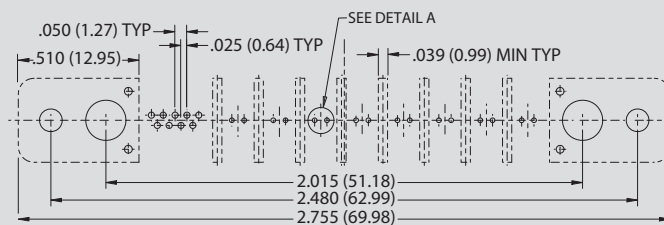
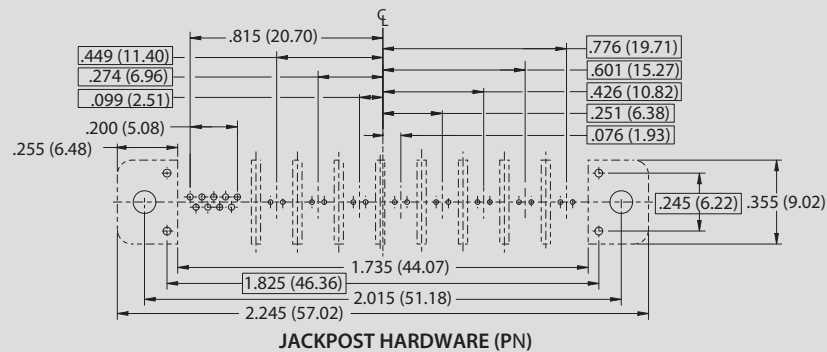
1. Patterns shown are for connector mounting side of PC board.
2. Reference GVLM-BS for connector details.
3. Reference application notes AN0005 for optimal performance.
4. PEM nuts are the recommended solution for rear panel mount hardware. When using loose nuts to secure to panel, use the same footprint as the "P" hardware option shown in Detail B.

# "ZERO-CROSSTALK" M83513 Micro-D VersaLink™ Connectors



## GVLM-1000: GVLM-BS, Straight PCB Connector Footprints, VersaLink PCB Layout

### Plug Layout 8-9



### NOTES

1. Patterns shown are for connector mounting side of PC board.
2. Reference GVLM-BS for connector details.
3. Reference application notes AN0005 for optimal performance.
4. PEM nuts are the recommended solution for rear panel mount hardware. When using loose nuts to secure to panel, use the same footprint as the "P" hardware option shown in Detail B.

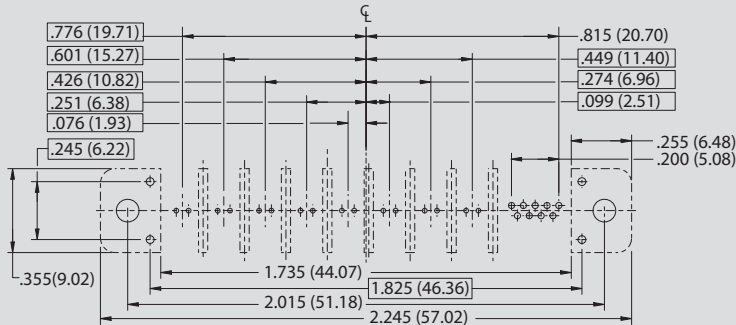
# "ZERO-CROSSTALK" M83513 Micro-D VersaLink™ Connectors



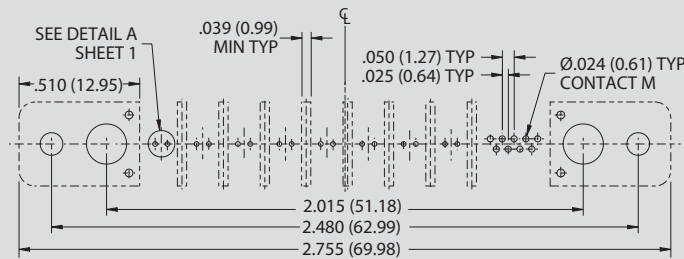
GVLM-1000: GVLM-BS, Straight PCB Connector Footprints, VersaLink PCB Layout

MICRO-D VERSALINK CONNECTORS

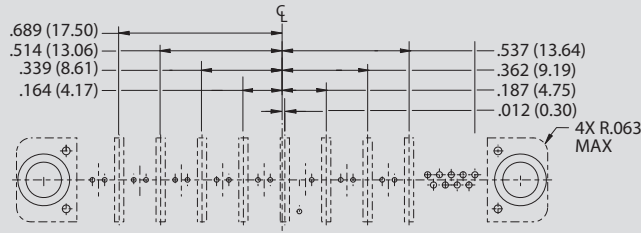
## Receptacle Layout 8-9



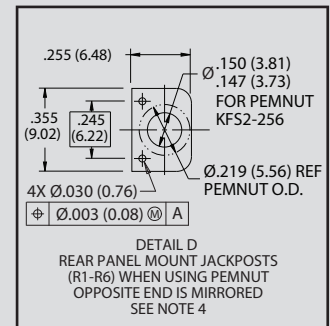
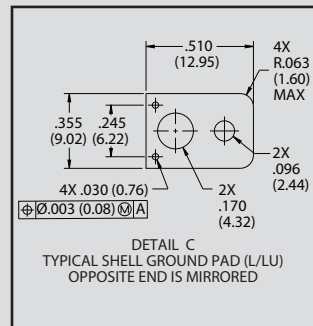
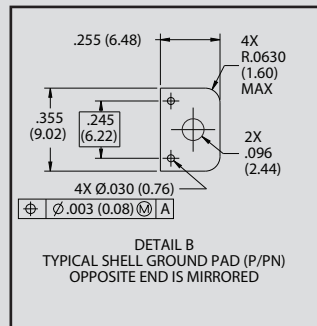
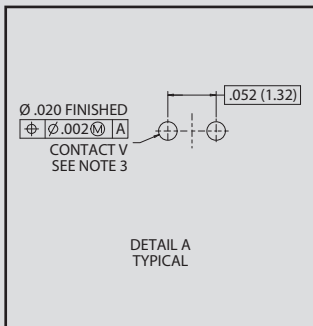
JACKPOST HARDWARE (PN)



JACKSCREW HARDWARE (L/LU)



REAR PANEL MOUNT JACKPOSTS  
WHEN USING PEM NUT  
(R1 THRU R6)



## NOTES

1. Patterns shown are for connector mounting side of PC board.
2. Reference GVLM-BS for connector details.
3. Reference application notes AN0005 for optimal performance.
4. PEM nuts are the recommended solution for rear panel mount hardware. When using loose nuts to secure to panel, use the same footprint as the "P" hardware option shown in Detail B.