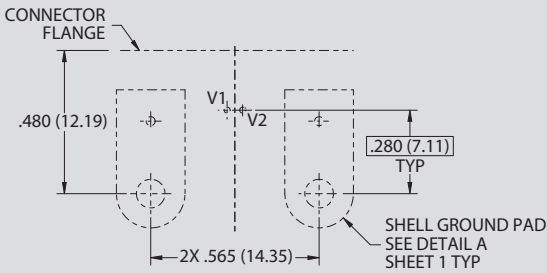


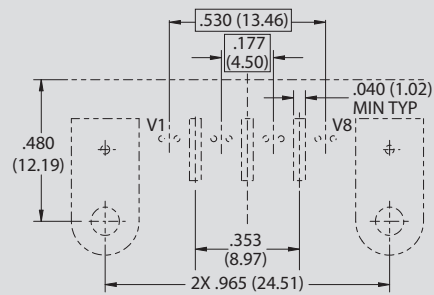
# "ZERO-CROSSTALK" M83513 Micro-D VersaLink™ Connectors



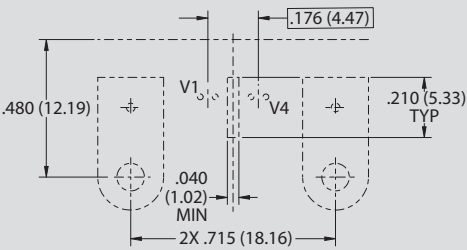
## GVLM-1001: GVLM-BR PCB VersaLink Right-Angle Connector PCB Footprints



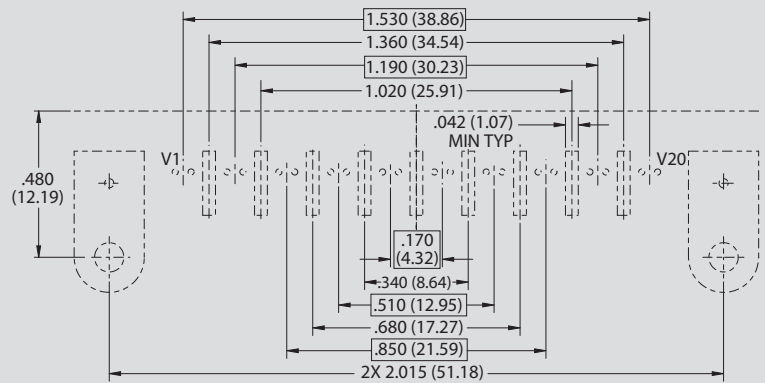
**Plug Layout 1-0**



**Plug Layout 4-0**



**Plug Layout 2-0**

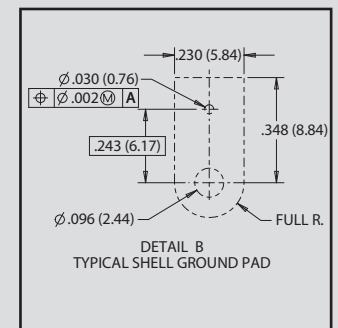
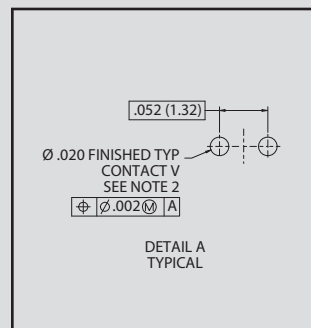


**Plug Layout 10-0**

MICRO-D VERSALINK CONNECTORS

### NOTES

1. Patterns shown are for connector mounting side of PC board.
2. Reference application notes AN0005 for optimal performance.

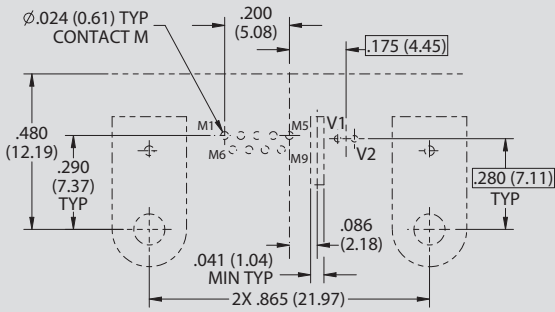


# "ZERO-CROSSTALK" M83513 Micro-D VersaLink™ Connectors

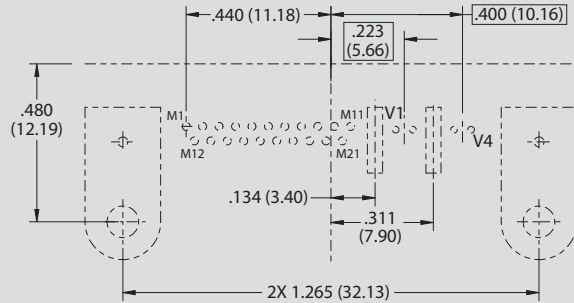


## GVLM-1001: GVLM-BR PCB VersaLink Right-Angle Connector PCB Footprints

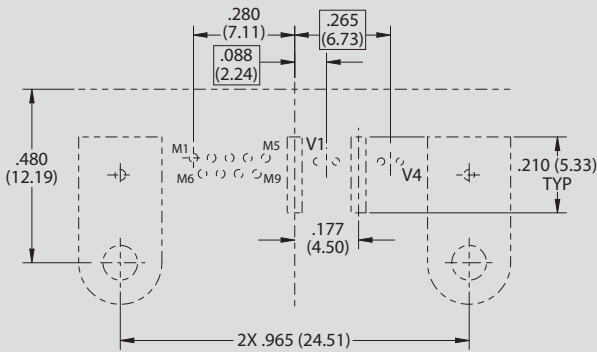
MICRO-D VERSALINK CONNECTORS



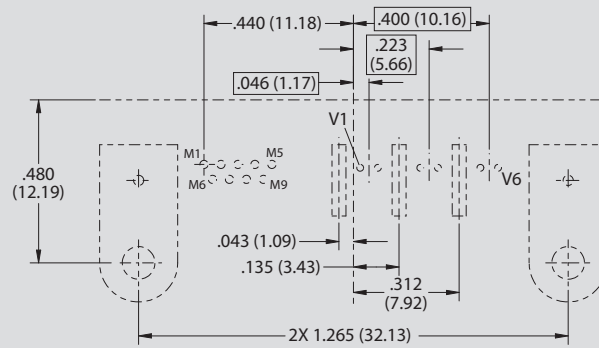
**Plug Layout 1-9**



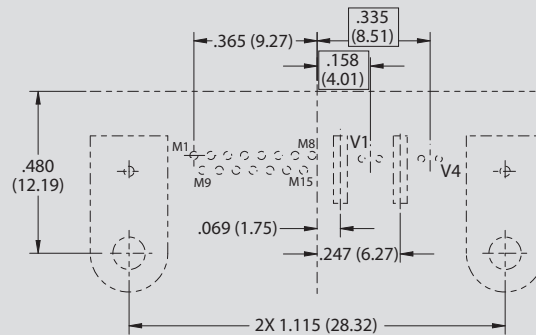
**Plug Layout 2-21**



**Plug Layout 2-9**



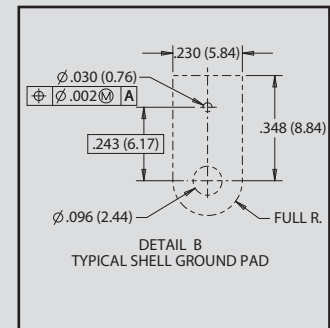
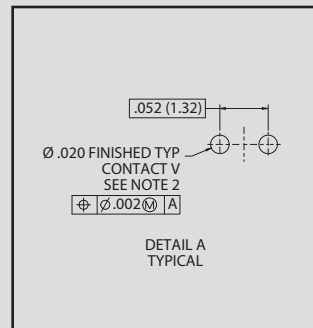
**Plug Layout 3-9**



**Plug Layout 2-15**

### NOTES

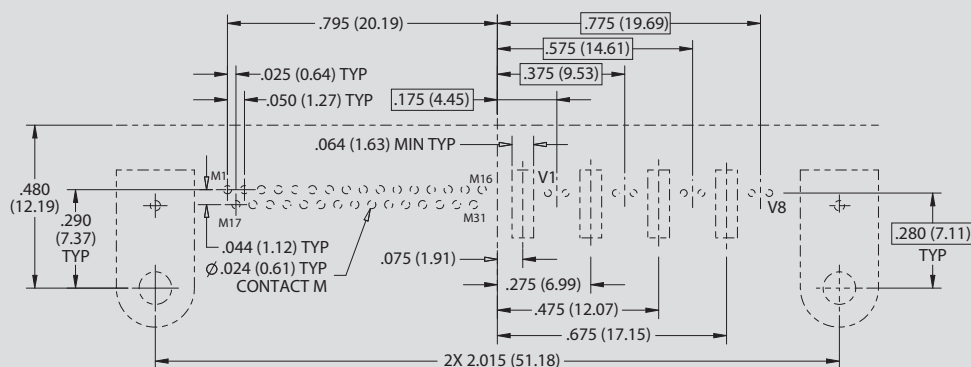
1. Patterns shown are for connector mounting side of PC board.
2. Reference application notes AN0005 for optimal performance.



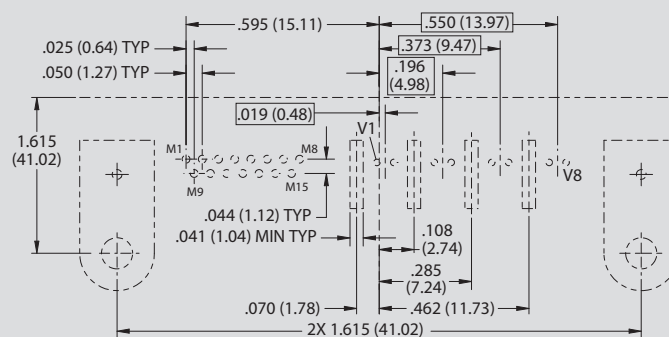
# "ZERO-CROSSTALK" M83513 Micro-D VersaLink™ Connectors



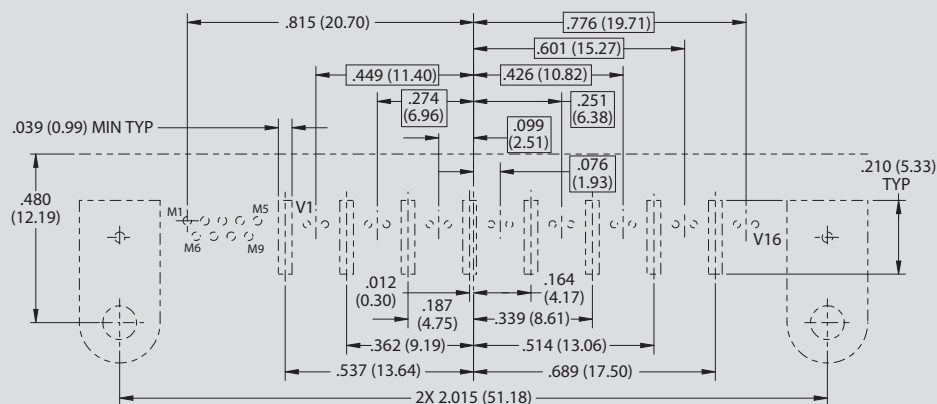
## GVLM-1001: GVLM-BR PCB VersaLink Right-Angle Connector PCB Footprints



**Plug Layout 4-31**



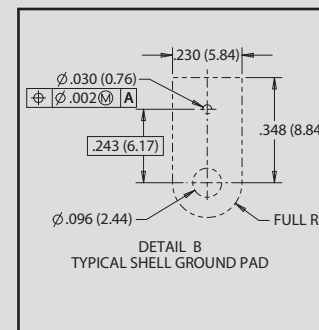
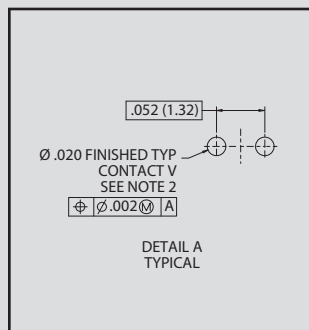
**Plug Layout 4-15**



**Plug Layout 8-9**

### NOTES

1. Patterns shown are for connector mounting side of PC board.
2. Reference application notes AN0005 for optimal performance.

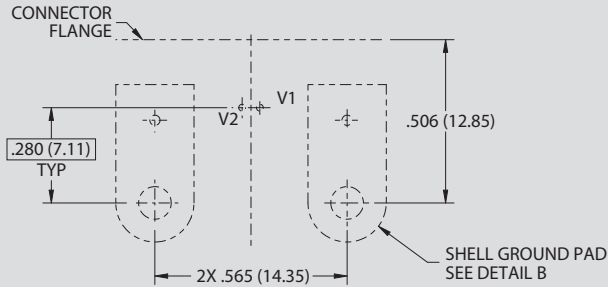


# "ZERO-CROSSTALK" M83513 Micro-D VersaLink™ Connectors

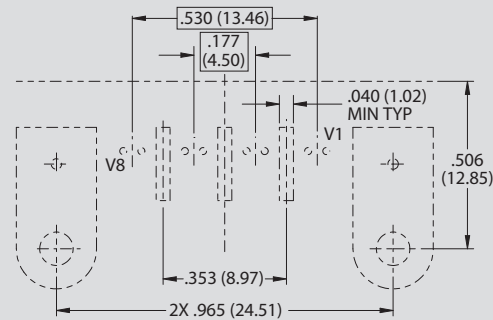


## GVLM-1001: GVLM-BR PCB VersaLink Right-Angle Connector PCB Footprints

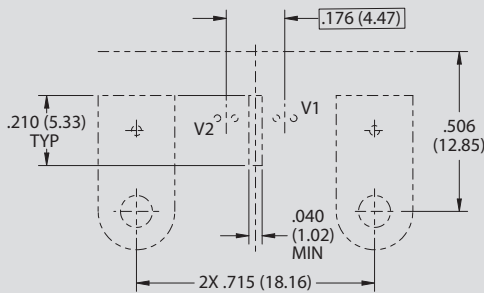
MICRO-D VERSALINK CONNECTORS



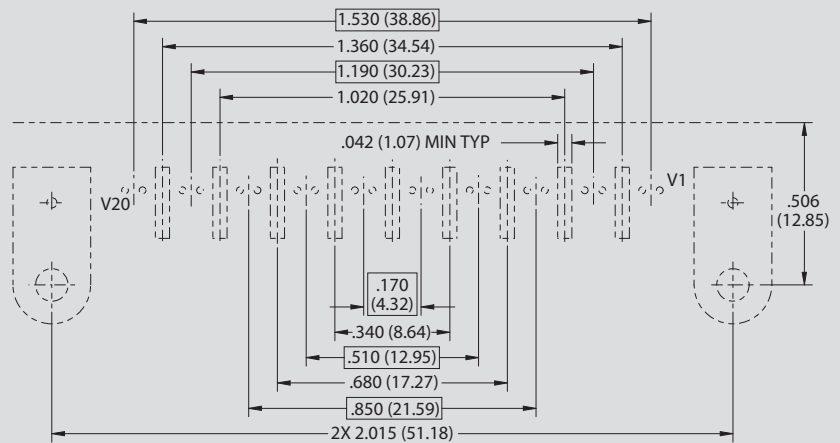
**Receptacle Layout 1-0**



**Receptacle Layout 4-0**



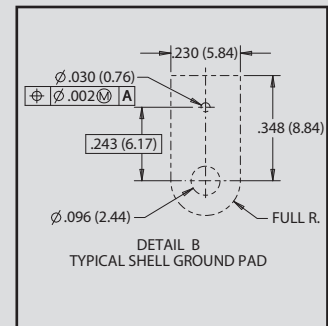
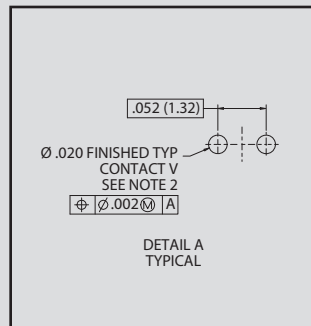
**Receptacle Layout 2-0**



**Receptacle Layout 10-0**

### NOTES

1. Patterns shown are for connector mounting side of PC board.
2. Reference application notes AN0005 for optimal performance.

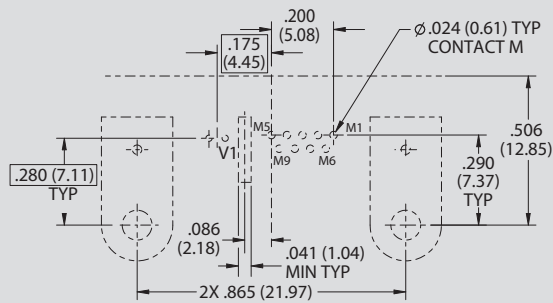


# "ZERO-CROSSTALK" M83513 Micro-D VersaLink™ Connectors

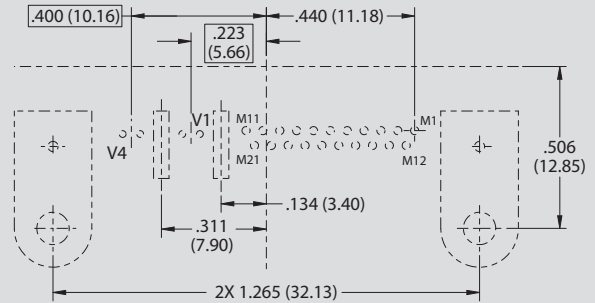


## GVLM-1001: GVLM-BR PCB VersaLink Right-Angle Connector PCB Footprints

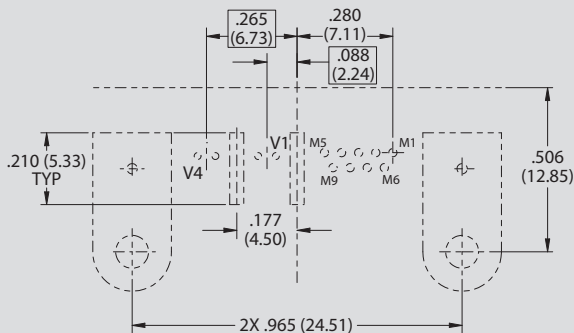
MICRO-D VERSALINK CONNECTORS



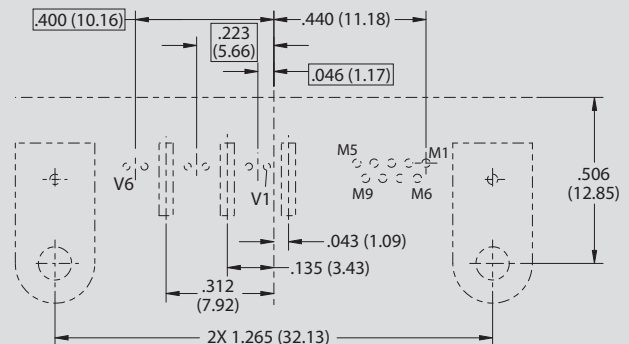
**Receptacle Layout 1-9**



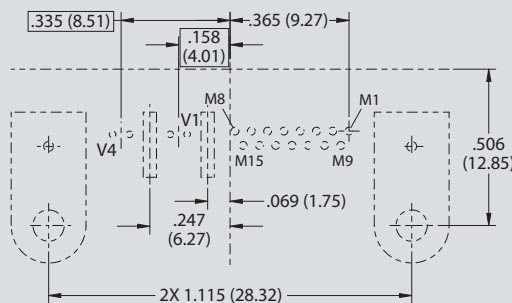
**Receptacle Layout 2-21**



**Receptacle Layout 2-9**



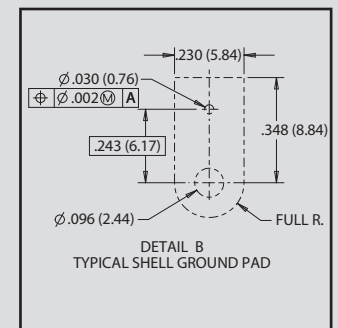
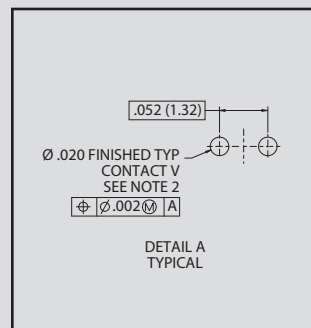
**Receptacle Layout 3-9**



**Receptacle Layout 2-15**

### NOTES

1. Patterns shown are for connector mounting side of PC board.
2. Reference application notes AN0005 for optimal performance.

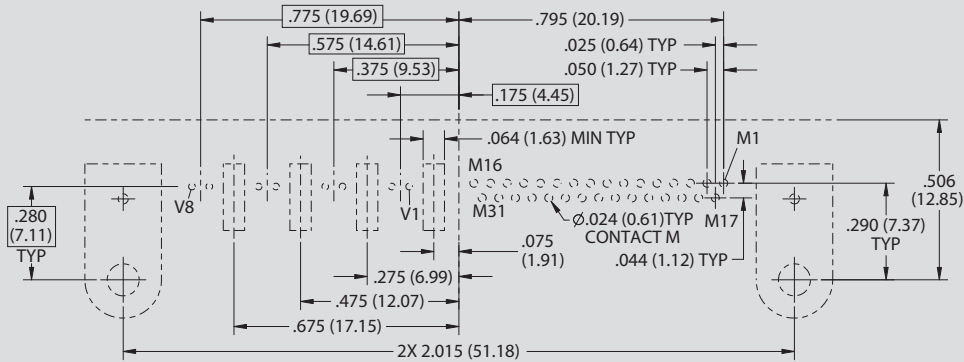


# "ZERO-CROSSTALK" M83513 Micro-D VersaLink™ Connectors

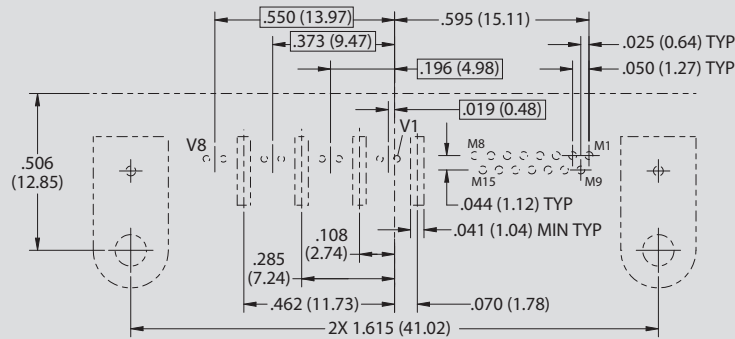


## GVLM-1001: GVLM-BR PCB VersaLink Right-Angle Connector PCB Footprints

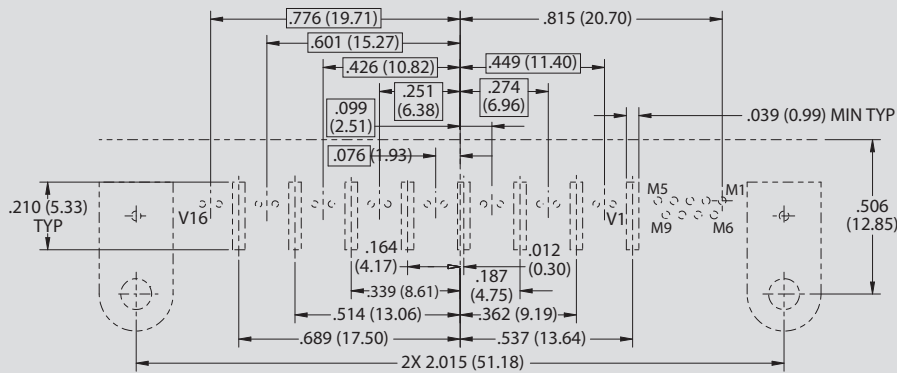
MICRO-D VERSALINK CONNECTORS



**Receptacle Layout 4-31**



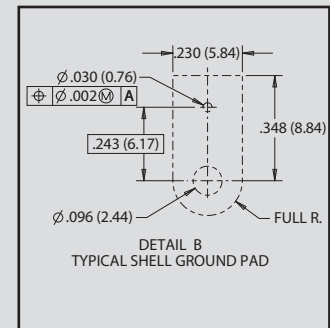
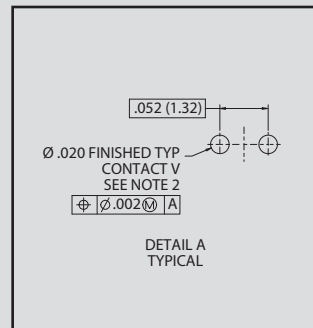
**Receptacle Layout 4-15**



**Receptacle Layout 8-9**

### NOTES

1. Patterns shown are for connector mounting side of PC board.
2. Reference application notes AN0005 for optimal performance.

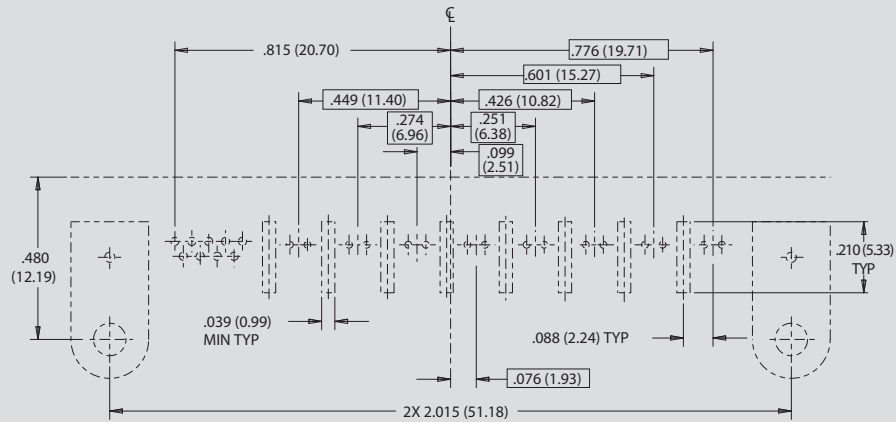


# "ZERO-CROSSTALK" M83513 Micro-D VersaLink™ Connectors

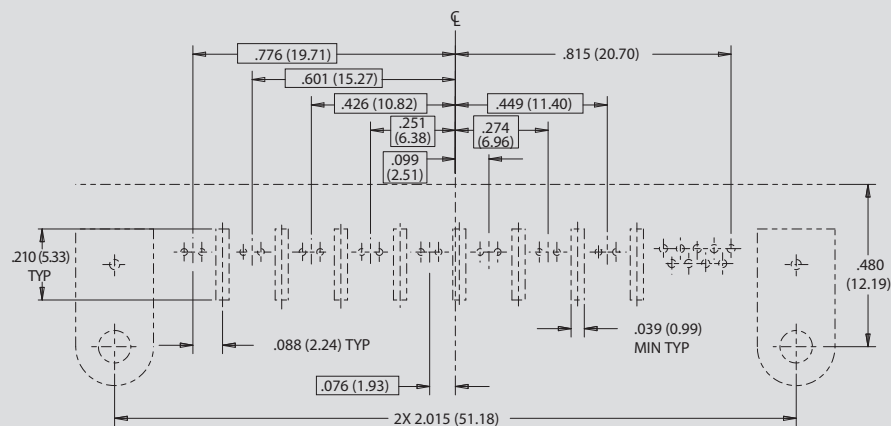


## GVLM-1001: GVLM-BR PCB VersaLink Right-Angle Connector PCB Footprints

MICRO-D VERSALINK CONNECTORS



**Plug Layout 8-9**



**Receptacle Layout 8-9**

### NOTES

1. Patterns shown are for connector mounting side of PC board.
2. Reference application notes AN0005 for optimal performance.

