



10K PSI / 700 BAR / 7000M SuperG55™ High-Pressure, Dry-Mate Subsea Connectors

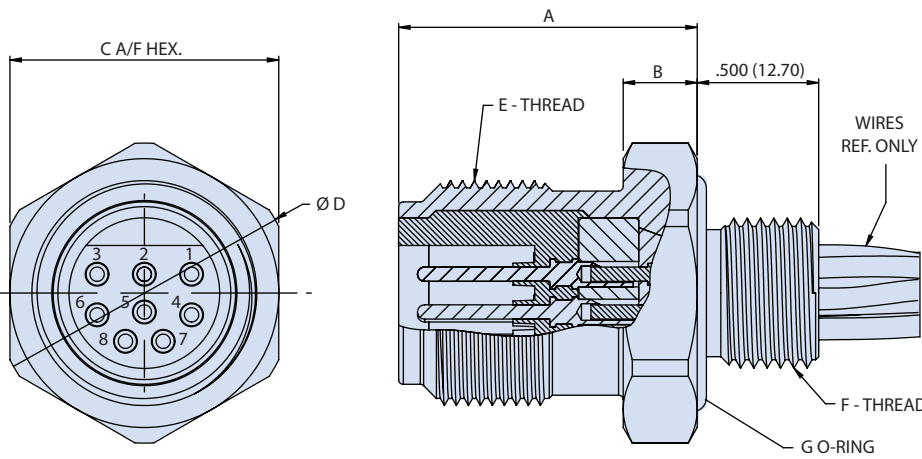


G55 07 bulkhead connector receptacle (BCR)

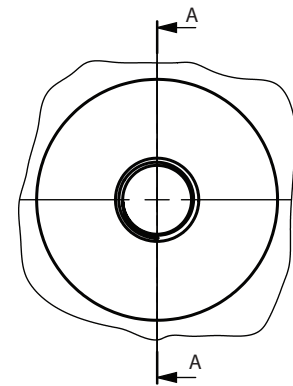


SuperG55™ BCR - How To Order					
Sample Part Number	G55	07	15	03	-0001
Series	SuperG55™ = Underwater Dry-Mate				
Connector Style	07 = Bulkhead connector receptacle				
Shell Size	15, 20, 24				
Number of Contacts	See contact arrangements (page 23)				
Cable Length	in feet (0001 = 1 foot, 0002 = 2 feet, etc.)				

SUBSEA/ DEEPWATER: SUPERG55™

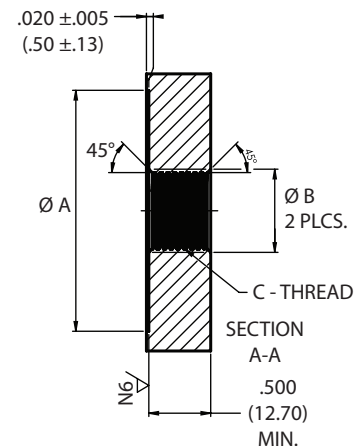


PANEL CUTOUT DIMENSIONS



Dimensions							
Shell Size	Dim A ±.010 (.26)	Dim B ±.015 (.39)	Dim C ±.005 (.13)	Dim D .005 (.13)	E - THREAD	F Thread	G - O RING
15	1.250 (31.75)	.314 (7.98)	1.120 (28.45)	1.250 (31.75)	15/16 - 20UNEF-02A	5/8"-UNF-2A	BS1806-116
20	1.500 (38.10)	.374 (9.50)	1.250 (31.75)	1.398 (35.51)	1 1/4"-9 STUB ACME	3/4"-16UNF-2A	BS1806-118
24	1.500 (38.10)	.374 (9.50)	1.500 (38.10)	1.700 (43.18)	1 1/2"-9 STUB ACME	1.000"-14UNS-2A	BS1806-122

Panel Mount Dimensions			
Shell Size	Dim A ±.005 (.15)	Dim B ±.005 (.13)	Dim C Thread
15	1.300 (33.02)	.680 (17.27)	5/8"-18UNF-28
20	1.440 (36.58)	.790 (20.07)	3/4"-16UNF-28
24	1.730 (43.94)	1.050 (26.67)	1.000"-14UNS-2B



NOTES

- 2008 Pin configuration shown. Other pin configurations available
- All contacts / pin configurations suit 16 AWG wire