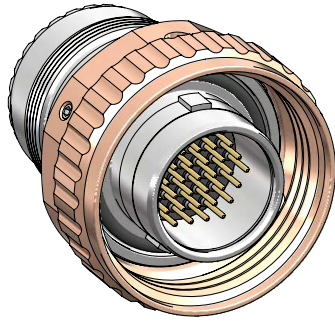
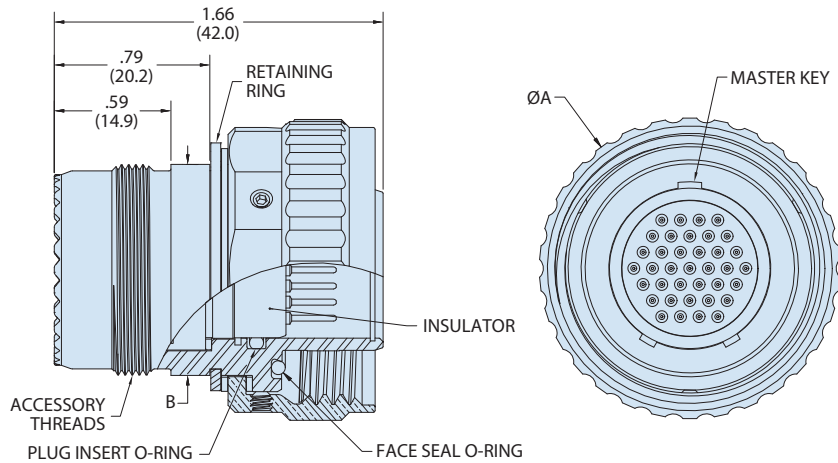




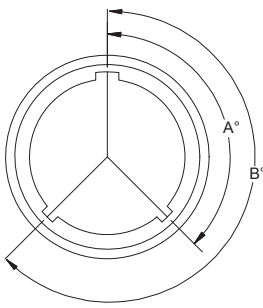
SERIES 70 10K PSI / 700 BAR / 7000 M SeaKing™ High-Pressure Subsea Connectors, Cables, and PBOF Assemblies 707-0147-1 Reverse Gender Plug



SeaKing BCR - How To Order						
Sample Part Number	707-0147	-1	M37	Z1	P	N
Product Series	707-0147 = SeaKing					
Connector Style	-1 = Reverse Gender Plug					
Shell Size-Contact Arrangement	See SeaKing Contact Arrangements table					
Barrel Material	Z1 = Stainless Steel TC = Titanium					
Contact Style	P = Pin					
Alternate Key Position	A, B, C, N = Normal (See Alternate Key Positions table)					



Alternate Key Positions



Position	A°	B°
N	150°	210°
A	75°	210°
B	95°	230°
C	140°	275°

Dimensions

Shell Size	Ø A		Ø B		Retaining Ring	Face Seal O-Ring	Plug Insert O-Ring	Accessory Threads (UN-2A)	Mating Torque (FT-LBS)
	In.	mm	In.	mm					In.
G	1.14	28.96	.69	17.53	MS16624-4068	2-015	2-012	11/16-28	10
K	1.26	32.00	.81	20.57	MS16624-4081	2-017	2-014	13/16-28	12
L	1.39	35.31	.94	23.88	MS16624-4093	2-019	2-016	15/16-28	12
M	1.51	38.35	1.06	26.92	MS16624-4106	2-020	2-017	11/16-28	12
O	1.76	44.70	1.31	33.27	MS16624-4131	2-024	2-020	15/16-28	15
P	1.89	48.01	1.44	36.58	MS16624-4143	2-026	2-022	17/16-28	15
Q	2.01	51.05	1.56	39.62	MS16624-4156	2-028	2-024	19/16-20	15
R	2.14	54.36	1.69	42.93	MS16624-4168	2-029	2-026	11/16-20	15

NOTES

Pressure ratings:

Mated condition - 10,000 psi

Tested per iso 13628-6

Electrical:

Rated voltage: 600 vdc/425 vac per EIA-364-20f, method C.

Rated current: see 709-099 for individual contact current ratings.

Insulation resistance: 5 gohm at 500vdc per EIA-364-21E.

MATERIAL/FINISH

Barrel: See part number development

Coupling nut: Marine bronze for stainless steel barrel; titanium for titanium barrel.

Contacts: Copper alloy, gold plated

Insulator: Glass reinforced epoxy

Set screws: Stainless steel for stainless steel barrel; titanium for titanium barrel.

O-rings: N itrile rubber

SUBSEA/DEEPWATER: SEAKING™

