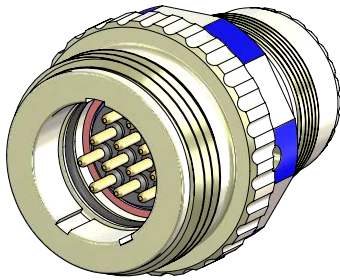
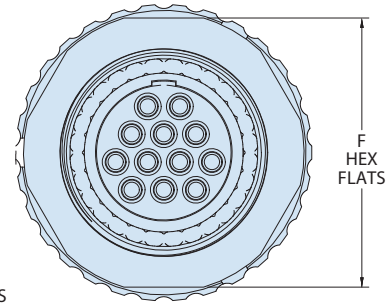
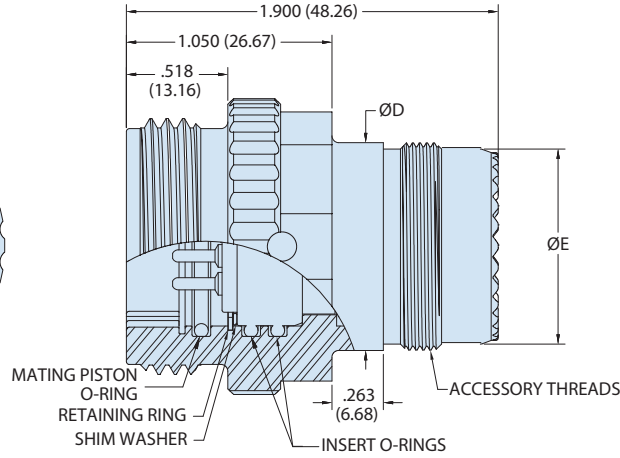
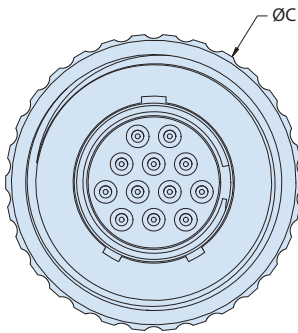




SERIES 70 10K PSI / 700 BA R / 7000 M SeaKing™ High-Pressure Subsea Connectors, Cables, and PBOF Assemblies 700-025 Cable Connector Receptacle (CCR)

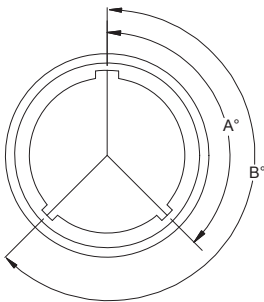


SeaKing BCR - How To Order						
Sample Part Number	700-025	-M12	-Z1	P	N	-1147
Product Series	700 = SeaKing Cable Connector Receptacle					
Shell Size-Contact Arrangement	See SeaKing Contact Arrangements table					
Shell Material	Z1 = Stainless Steel TC = Titanium					
Contact Style	P = Pin					
Alternate Key Position	A, B, C, N = Normal (See Alternate Key Positions table)					
Color Band	1147 = Color Band Per Polarization Table Blank = No Color Band					



SUBSEA/DEEPWATER: SEAKING™

Alternate Key Positions



Position	A°	B°
N	150°	210°
A	75°	210°
B	95°	230°
C	140°	275°

Dimensions

Shell Size	Mating Piston & Insert O-Ring	Retaining Ring	Ø C		Ø D		Ø E +.000/-.002	F		Accessory Threads (UN-2A)
			In.	mm	In.	mm		In.	mm	
E	2-012	VH-37-S16	1.014	25.76	.562	14.27	.498	12.65	.875	9/16-28
G	2-014	VH-50-S16	1.139	28.93	.688	17.48	.623	15.82	1.000	11/16-28
K	2-016	VH-62-S16	1.264	32.11	.812	20.62	.748	19.00	1.125	13/16-28
L	2-018	VH-75-S16	1.389	35.28	.938	23.83	.873	22.17	1.250	15/16-28
M	2-019	VH-81-S16	1.514	38.46	1.062	26.97	.998	25.35	1.375	11/16-28
O	2-023	VH-106-S16	1.764	44.81	1.312	33.32	1.248	31.70	1.625	15/16-28
P	2-025	VH-118-S16	1.889	47.98	1.438	36.53	1.373	34.87	1.750	17/16-28
Q	2-028	VH-137-S16	2.014	51.16	1.562	39.67	1.498	38.05	1.875	19/16-20
R	2-029	VH-150-S16	2.139	54.33	1.688	42.88	1.623	41.22	2.000	111/16-20

NOTES

Pressure ratings:

- Mated condition - 10,000 psi
- Open face condition - 5,000 psi (up to size "q"). For 10,000 psi open face rated ccr, See drawing 700-005.
- Tested per iso 13628-6

Electrical:

- Rated voltage: 600 vdc/425 vac per EIA-364-20F, method C.

Rated current: See 709-099 for individual contact current ratings.

Insulation resistance: 5 gohm at 500vdc per EIA-364-21E.

MATERIAL/FINISH

- Shell - See part number development
- Insert body - Glass-reinforced epoxy
- Contacts - Copper alloy, gold plated
- O-rings - Nitrile