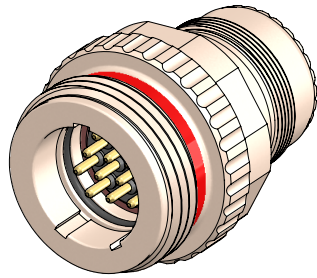




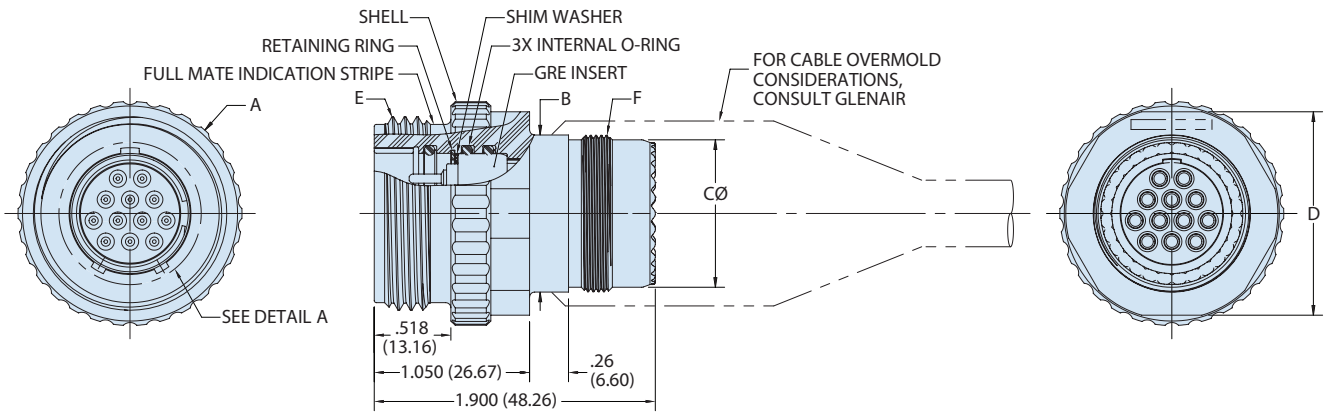
# SERIES 70 10K PSI / 700 BAR / 7000 M

## SeaKing™ High-Pressure Subsea Connectors, Cables, and PBOF Assemblies

### 700-225 Cable Connector Receptacle (CCR)

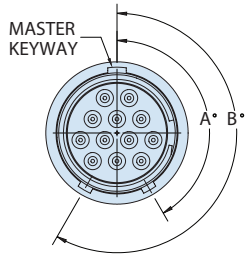


SeaKing BCR - How To Order					
Sample Part Number	700-225	-M12	-K	P	N
Product Series	700-225 = SeaKing PEEK Cable Connector Receptacle				
Shell Size-Contact Arrangement	See Drawing 709-099 (Electrical) See Drawing 709-098 (Fiber)				
Shell/Flange Material	-K = Glass-Reinforced P.E.E.K.				
Contact Type	P = Pin				
Polarization	See Alternate Key Positions Table				



SUBSEA/DEEPWATER: SEAKING™

#### Alternate Key Positions



Position	A°	B°
N	150°	210°
A	75°	210°
B	95°	230°
C	140°	275°

#### Dimensions

SeaKing Size	Ø A		Ø B		Ø C +.000/-0.002		D Hex Flats		E Coupling Threads (UN-2A)	F Accessory Threads (UN-2A)	Retaining Ring	Internal O-Rings (3x)
	In.	mm	In.	mm	In.	mm	In.	mm				
E	1.014	25.76	.562	14.27	.498	12.65	.875	22.23	13/16 - 12	9/16 - 28	709-055-37	2-012
G	1.139	28.93	.688	17.48	.623	15.82	1.000	25.40	15/16 - 12	11/16 - 28	709-055-50	2-014
K	1.264	32.11	.812	20.62	.748	19.00	1.125	28.58	11/16 - 12	13/16 - 28	709-055-62	2-016
L	1.389	35.28	.938	23.83	.873	22.17	1.250	31.75	13/16 - 12	15/16 - 28	709-055-75	2-018
M	1.514	38.46	1.062	26.97	.998	25.35	1.375	34.93	15/16 - 12	11/16 - 28	709-055-81	2-019
O	1.764	44.81	1.312	33.32	1.248	31.70	1.625	41.28	19/16 - 12	15/16 - 28	709-055-106	2-023
P	1.889	47.98	1.438	36.53	1.373	34.87	1.750	44.45	111/16 - 12	17/16 - 28	709-055-118	2-025
Q	2.014	51.16	1.562	39.67	1.498	38.05	1.875	47.63	113/16 - 12	19/16 - 20	709-055-137	2-028
R	2.139	54.33	1.688	42.88	1.623	41.22	2.000	50.80	115/16 - 12	111/16 - 20	709-055-150	2-029

#### NOTES

##### Electrical:

Rated voltage: 600VDC / 425VAC per EIA-364-20F, method C  
 Rated current: See 709-099 for individual contact current ratings  
 Insulation resistance: 5 Gohm at 500VDC per EIA-364-21E

##### Pressure ratings:

Mated condition: 10,000 psi  
 Open face condition: 5,000 psi

#### MATERIAL COMPOSITION:

Shell: Glass-reinforced P.E.E.K.  
 Insert: Glass reinforced epoxy or glass to metal sealed  
 Body: Glass reinforced epoxy  
 Contact pins: Copper alloy, gold plated  
 Retaining ring: 316 stainless steel  
 O-rings: Nitrile Rubber  
 Mates with 700-201 SeaKing Plug