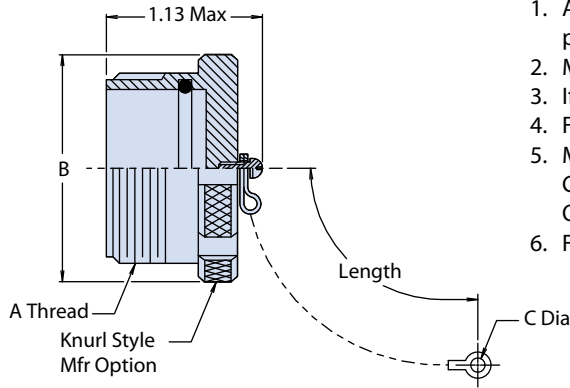


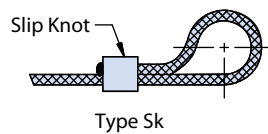
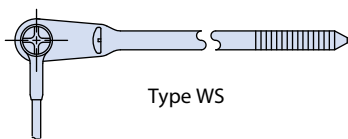
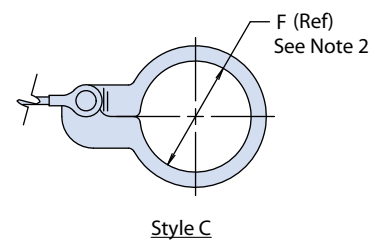
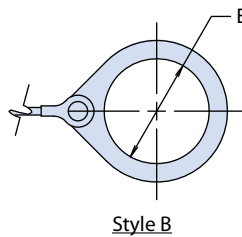
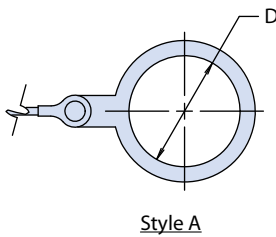
**290-016 Metal Plug Protective Covers for  
Scoop-Proof Series 22 Connectors**

How To Order Receptacle Cover					
<b>Sample Part Number</b>	<b>290-016</b>	<b>S</b>	<b>18</b>	<b>03-</b>	<b>6</b>
<b>Series - Shell Style</b>	290-016 = Scoop Proof				
<b>Attachment Type</b>	See Table III				
<b>Shell Size</b>	See Table I				
<b>Dash No.</b>	See Table II, IV, V or VI, omit for Type SK				
<b>Attachment Length</b>	In Inches; ± .25 for Rope, ± Link for Chain				



**NOTES:**

1. Assembly identified with manufacturer's name and P/N, space permitting.
2. Max. diameter mandrel over which assembled ring will rotate freely.
3. If retaining ring is desired, use Tables IV & V (solid) or Table VI (split ring).
4. For terminal lug or type "WS", use Table II.
5. Material/finish:  
Cover, attachment, clevis, hardware - CRES/passivate  
O-ring - nitrile/n.a.
6. For use with scoop-proof Geo-Marine receptacles





# SERIES 22 5000M / 5000 PSI Shallow Water Application



## 290-016 Metal Plug Protective Covers for Scoop-Proof Series 22 Connectors

SUBSEA/SHALLOW WATER: GEO-MARINE®

Table I: Dimensions		
Dash No	A Thread Class 2A	B Max
10	0.750 -.1P-.1L	0.900 (22.9)
12	0.875 -.1P-.1L	1.025 (26.0)
14	1.000 -.1P-.1L	1.150 (29.2)
16	1.125 -.1P-.1L	1.275 (32.4)
18	1.250 -.1P-.1L	1.525 (38.7)
20	1.375 -.1P-.1L	1.650 (41.9)
22	1.500 -.1P-.1L	1.775 (45.1)
24	1.625 -.1P-.1L	1.900 (48.3)

Table II: Split Ring Dimensions		
Dash No.	C Dia.	
01	0.125	(3.2)
02	0.140	(3.6)
03	0.167	(4.2)
04	0.182	(4.6)
05	0.191	(4.9)
06	0.197	(5.0)
WS	With Strap	

Table III: Attachment Type	
Sym	Attachment
B	Bead chain, brass, nickel plated, with terminal
C	Link chain, brass, nickel plated, with clevis terminal
D	Bead chain, CRES, passivated, with terminal
E	Link chain, CRES, passivated, with clevis terminal
F	Wire rope, nylon jacket w/terminal
H	Wire rope, Fluoropolymer jacket w/ terminal
K	Nylon rope
N	Attachment omitted
R	Wire rope, PVC jacket w/terminal
T	Wire rope, no jacket, w/terminal
S	#8 Sash chain, CRES, passivated
SK	Nylon rope, (black) with slip knot
U	Wire rope, polyurethane jacket with terminal

Table IV: Style A Solid Ring Dimensions		
Dash No	D Dia ±.015	
095	0.312	(7.9)
100	0.391	(9.9)
101	0.516	(13.1)
102	0.583	(14.8)
103	0.641	(16.3)
104	0.708	(18.0)
105	0.766	(19.5)
205	0.788	(20.0)
106	0.896	(22.8)
206	0.907	(23.0)
107	1.016	(25.8)
207	1.025	(26.0)
108	1.141	(29.0)
308	1.188	(30.2)
208	1.203	(30.6)
109	1.266	(32.2)
209	1.312	(33.3)
110	1.391	(35.3)
210	1.438	(36.5)
111	1.521	(38.6)
211	1.536	(39.0)
112	1.641	(41.7)
113	1.766	(44.9)
213	1.812	(46.0)
114	1.891	(48.0)
214	1.938	(49.2)
115	2.078	(52.8)
116	2.406	(61.1)
117	2.510	(63.8)

Table V: Style B Solid Ring Dimensions		
Dash No	E Dia ±.015	
08	0.468	(11.9)
10	0.593	(15.1)
12	0.718	(18.2)
13	0.765	(19.4)
14	0.844	(21.4)
15	0.890	(22.6)
16	0.968	(24.6)
17	1.015	(25.8)
18	1.093	(27.8)
19	1.140	(29.0)
20	1.203	(30.6)
21	1.265	(32.1)
22	1.343	(34.1)
23	1.453	(36.9)
24	1.484	(37.7)
25	1.577	(40.1)
27	1.640	(41.7)
28	1.687	(42.8)
29	1.765	(44.8)
30	1.890	(48.0)
31	1.953	(49.6)
32	1.968	(50.0)
33	2.077	(52.8)
35	2.140	(54.4)
36	2.187	(55.5)
40	2.406	(61.1)
44	2.656	(67.5)
48	3.031	(77.0)

Table VI: Style C Ring Dimensions		
Dash No	F Dia	
50	0.425	(10.8)
52	0.485	(12.3)
54	0.640	(16.3)
56	0.750	(19.1)
58	0.890	(22.6)
60	1.015	(25.8)
62	1.095	(27.8)
64	1.130	(28.7)
66	1.250	(31.8)
68	1.350	(34.3)
70	1.375	(34.9)
72	1.485	(37.7)
74	1.625	(41.3)
76	1.750	(44.5)
78	1.875	(47.6)
80	1.980	(50.3)
82	2.060	(52.3)
84	2.235	(56.8)
86	2.310	(58.7)
88	2.475	(62.9)
90	2.655	(67.4)
92	2.810	(71.4)
94	3.045	(77.3)