



SERIES 22 5000M / 5000 PSI
Shallow Water Application
220-06 and 220-16 (CCP)
Cable connector plug, inline



ENVIRONMENTAL-5000 PSI MATED OR HERMETIC-5000 PSI OPEN FACE PLUG



How To Order					
Sample Part Number	220-06	E	24-61	S	N
Series and Shell Style	220-06 - Standard 220-16 - Scoop-Proof				
Class	E = High-Pressure Environmental				
Shell Size - Contact Arrangement	See pages 65-66				
Contact Style	P = Pin S = Socket				
Polarization	N, 1, 2, 3, 4 See page 65				

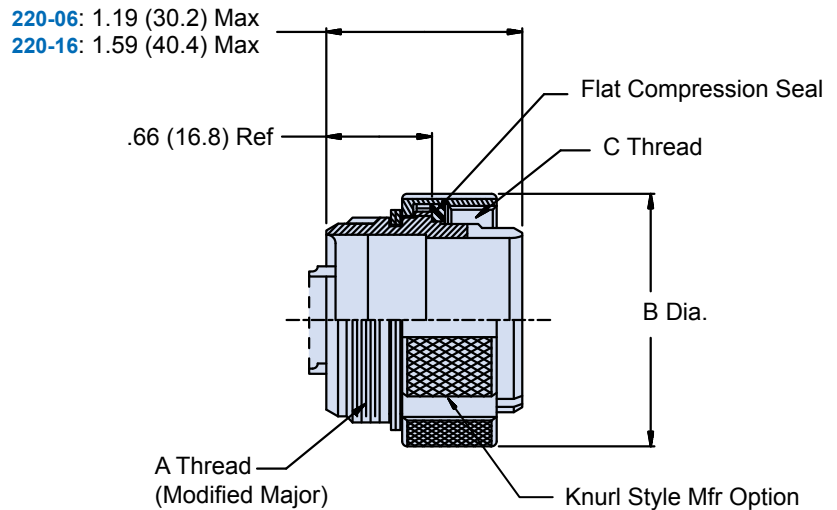
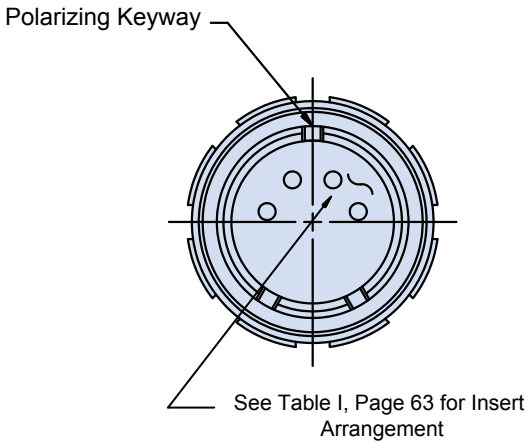


Table II: Dimensions			
Shell Size	A Thread Class 2A	Ø B Max	C Thread Class 2B
10	5/8 - 24 UNEF	1.000 (25.4)	.750 - .1P - .1L
12	3/4 - 20 UNEF	1.125 (28.6)	.875 - .1P - .1L
14	7/8 - 20 UNEF	1.250 (31.8)	1.000 - .1P - .1L
16	1 - 20 UNEF	1.375 (34.9)	1.125 - .1P - .1L
18	1 1/8 - 16 UN	1.594 (40.5)	1.250 - .1P - .1L
20	1 1/4 - 16 UN	1.719 (43.7)	1.375 - .1P - .1L
22	1 3/8 - 16 UN	1.894 (48.1)	1.500 - .1P - .1L
24	1 1/2 - 16 UN	1.969 (50.0)	1.625 - .1P - .1L

Replacement Flat Compression Seal Part Number	
Shell Size	Glenair Part No.
10	G70653-10
12	G70653-12
14	G70653-14
16	G70653-16
18	G70653-18
20	G70653-20
22	G70653-22
24	G70653-24

SUBSEA/SHALLOW WATER: GEO-MARINE®

