

SERIES 802 2400M / 3500 PSI Ultraminiature Subsea Connectors



802-012 or 802-030 Submersible solder cup or PC tail receptacle



Printed Circuit Board/ Solder Cup Receptacles feature low profile shells for minimum protrusion inside enclosures and integral standoffs for board washout. Contacts are non-removable.

Water Immersion, Unmated

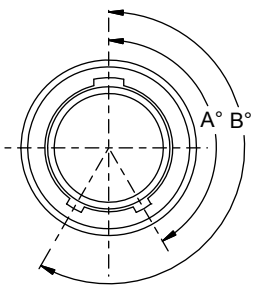
Specify **802-012** connectors for applications where open face water immersion is not a requirement. For MIL-STD-810 Method 512G immersion requirements, specify **802-030** watertight connectors. These 802-030 connectors are specially sealed ("MOD-518") and are 100% tested to maintain a helium leak rate of 1×10^{-4} cc/second at one atmosphere pressure differential from -40C to +70C.

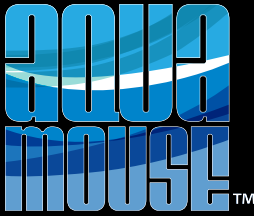
SUBSEA/SHALLOW WATER: AQUAMOUSE™

How To Order	
Sample Part Number	802-012 -00 Z1 9-200 P A
Series	802-012 = Receptacle for Solder Cup or PCB Termination, with Standard Epoxy Potting 802-030 = Receptacle for Solder Cup or PCB Termination, with Special "MOD-518" Sealing for Open Face (Unmated) Water Immersion Requirements. 100% Leak Tested.
Shell Style (See Table I)	-00 = Jam Nut for Front Panel Mounting -02 = Square Flange for Front Panel Mounting -07 = Jam Nut for Rear Panel Mounting
Shell Material and Finish	Z1 = Stainless Steel / Passivated RoHS Compliant ZM = Stainless Steel/Electroless Nickel Plated AB = Marine Bronze/Unplated
Shell Size - Contact Arrangement	See Contact Arrangements page 4-6 See beginning of this section for PCB footprints
Contact Type	P = Pin, PC Tail E = Pin, Solder Cup S = Socket, PC Tail F = Socket, Solder Cup
Shell Key Position (See Table II)	A = Normal B = Pos. B C = Pos. C D = Pos. D E = Pos. E F = Pos. F

-00 Jam Nut for Front Panel Mounting	-02 Square Flange	-07 Jam Nut for Rear Panel Mounting

Key Position	Key Rotation	
	A°	B°
A Normal	150°	210°
B	75°	210°
C	95°	230°
D	140°	275°
E	75°	275°
F	9°	210°





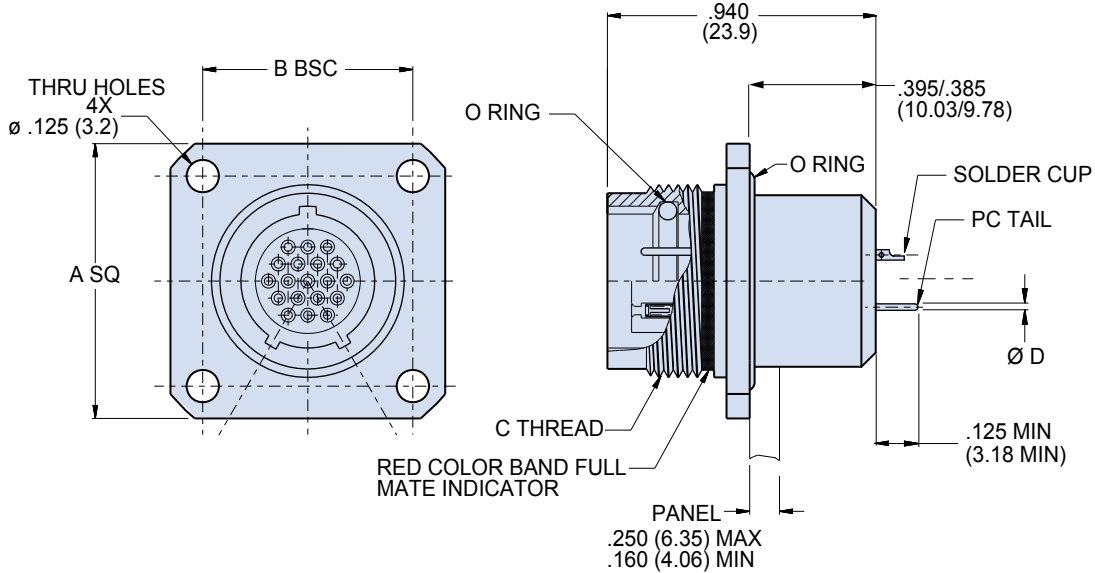
SERIES 802 2400M / 3500 PSI
Ultraminiature Subsea Connectors



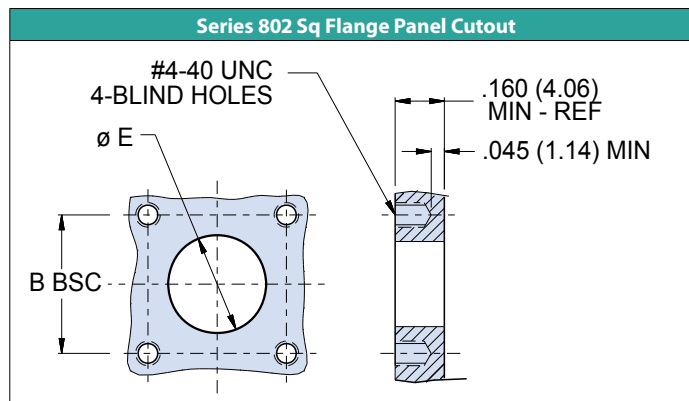
802-012 or 802-030 (FCR)

Flange connector receptacle, front panel mount

FLANGE CONNECTOR RECEPTACLE (FCR), SOLDER CUP OR PC TAIL RECEPTACLE - SHELL STYLE 02

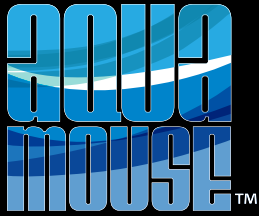


Dimensions					
Shell Size	A Square	B Bsc.	C Mating Threads	ϕD Tail Dia.	ϕE
5	.885 (22.48)	.500 (12.70)	.4375-28 UNEF	#23 .018/.022 (0.46/0.56)	.327 (8.31)
6	1.010 (25.65)	.625 (15.88)	.5625-20 UN		.390 (9.91)
7	1.072 (27.23)	.688 (17.48)	.6250-20 UN	#20 .024/.028 (0.61/0.71)	.515 (13.08)
8	1.135 (28.83)	.750 (19.05)	.6875-20 UN		.577 (14.66)
9	1.195 (30.35)	.812 (20.62)	.7500-20 UNEF	#16 .060/.064 (1.52/1.63)	.640 (16.26)
10	1.260 (32.00)	.875 (22.23)	.8125-20 UNEF		.702 (17.83)
12	1.323 (33.60)	.938 (23.83)	.8750-20 UNEF	#12 .092/.096 (2.34/2.44)	.765 (19.43)
14	1.510 (38.25)	1.125 (28.58)	1.0625-20 UN		.953 (24.21)
15	1.573 (39.95)	1.188 (30.18)	1.1250-20 UN	#12 .092/.096 (2.34/2.44)	1.015 (25.78)
21	1.750 (44.45)	1.375 (34.92)	1.4375-20 UN		1.312 (33.32)



SUBSEA SHALLOW WATER: AQUAMOUSE™





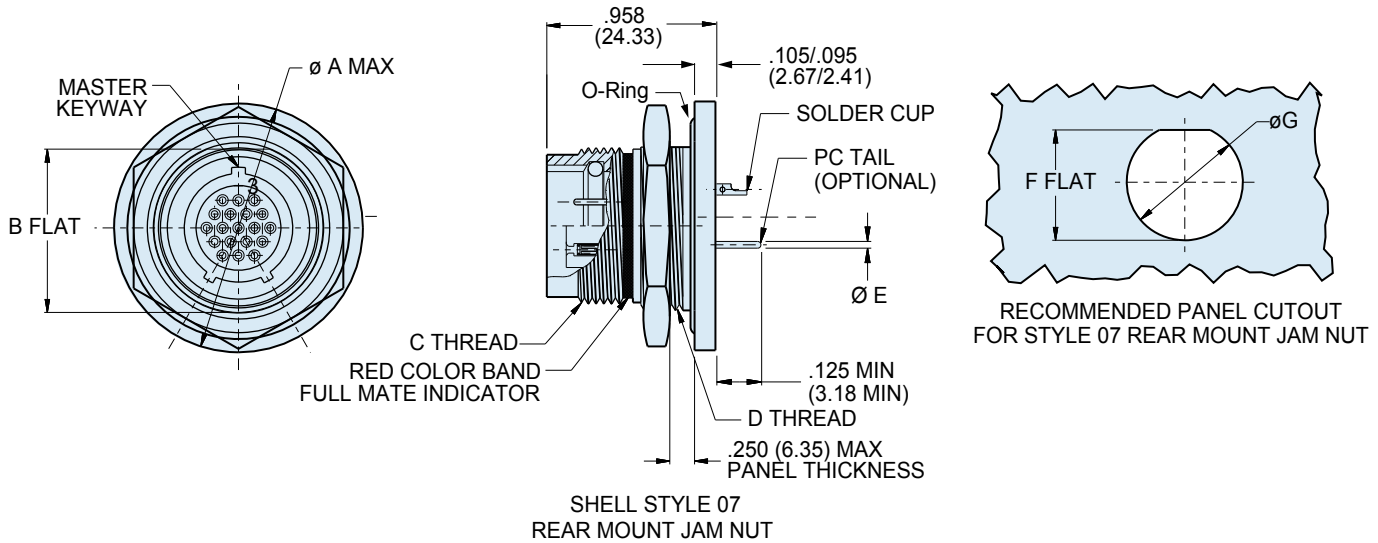
SERIES 802 2400M / 3500 PSI
Ultraminiature Subsea Connectors



802-012 or 802-030

Rear panel mount, jam nut receptacle

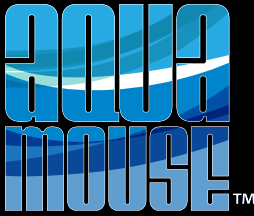
REAR PANEL MOUNT, SOLDER CUP OR PC TAIL RECEPTACLE - SHELL STYLE 07



Shell Size	Dimensions				Ø E Tail Dia.	Panel Cutout		
	Ø A Max.	B Flat ± .003	C Mating Threads	D Threads		F Flat ± .003	Ø G	
5	.885 (22.48)	.466 (11.84)	.4375-28 UNEF	.5000-32 UN-2A	#23 .018/.022 (0.46/0.56)	.477 (12.12)	.510 (12.95)	
6	1.010 (25.65)	.591 (15.01)	.5625-20 UN	.6250-28 UN-2A		#20 .024/.028 (0.61/0.71)	.602 (15.29)	.635 (16.13)
7	1.072 (27.23)	.653 (16.59)	.6250-20 UN	.6875-28 UN-2A			#16 .060/.064 (1.52/1.63)	.664 (16.87)
8	1.135 (28.83)	.716 (18.19)	.6875-20 UN	.7500-28 UN-2A		#12 .092/.096 (2.34/2.44)		.727 (18.47)
9	1.195 (30.35)	.778 (19.76)	.7500-20 UNEF	.8125-28 UN-2A			1.088 (27.64)	.789 (20.04)
10	1.260 (32.00)	.827 (21.01)	.8125-20 UNEF	.8750-28 UN-2A		1.151 (29.24)		.838 (21.29)
12	1.322 (33.58)	.890 (22.61)	.8750-20 UNEF	.9375-28 UN-2A			1.473 (37.41)	.901 (22.89)
14	1.510 (38.35)	1.077 (27.36)	1.0625-20 UN	1.1250-28 UN-2A		1.510 (38.35)		1.088 (27.64)
15	1.572 (39.93)	1.140 (28.96)	1.1250-20 UN	1.1875-28 UN-2A				1.151 (29.24)
21	1.940 (49.28)	1.463/1.467	1.4375-20 UN	1.500-28 UN-2A			1.473 (37.41)	1.510 (38.35)

SUBSEA/SHALLOW WATER: AQUAMOUSE™

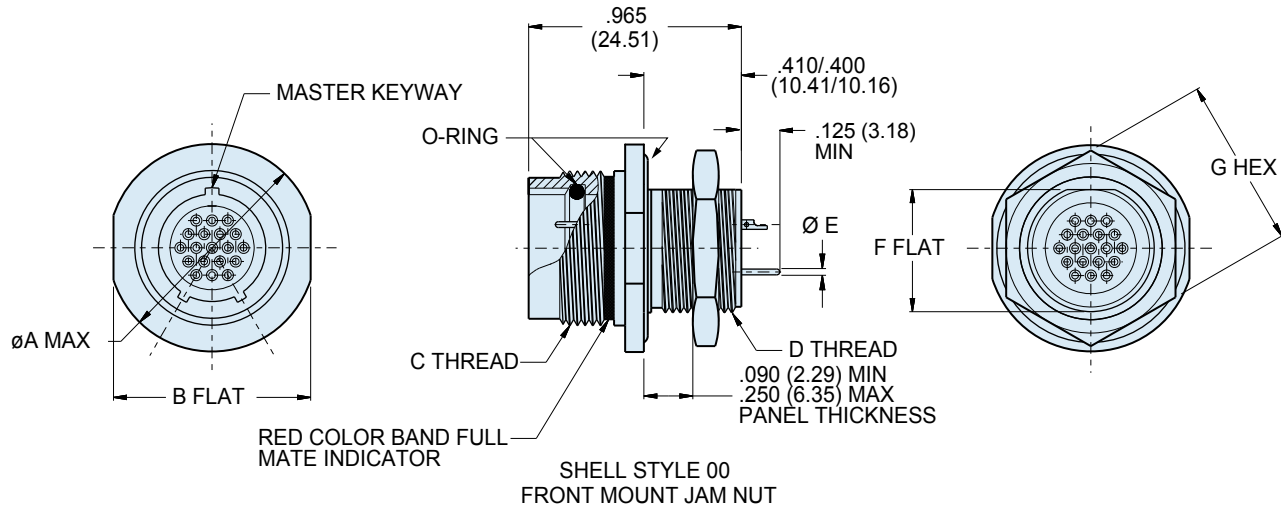




SERIES 802 2400M / 3500 PSI
Ultraminiature Subsea Connectors
802-012 or 802-030
Front panel mount, jam nut receptacle



FRONT PANEL MOUNT, SOLDER CUP OR PC TAIL RECEPTACLE - SHELL STYLE 00



Dimensions							
Shell Size	$\varnothing A$ Max.	B Flat	C Mating Threads	D Threads	$\varnothing E$ Tail Dia.	F Flat	G Hex
5	.72 (18.29)	.625 (15.88)	.4375-28 UNEF-2A	.312-28 UN-2A	#23 .018/.022 (0.46/0.56)	.281 (7.14)	.500 (12.70)
6	.78 (19.81)	.750 (19.05)	.5625-20 UN-2A	.438-28 UN-2A		.344 (8.74)	.625 (15.88)
7	.91 (23.11)	.812 (20.62)	.6250-20 UN-2A	.500-32 UN-2A		.469 (11.91)	.688 (17.48)
8	.96 (24.38)	.875 (22.23)	.6875-20 UN-2A	.562-28 UN-2A		.531 (13.49)	.750 (19.05)
9	1.03 (26.16)	.937 (23.80)	.7500-20 UNEF-2A	.625-28 UN-2A		.594 (15.09)	.812 (20.62)
10	1.09 (27.69)	1.000 (25.40)	.8125-20 UNEF-2A	.687-28 UN-2A		.656 (16.66)	.875 (22.23)
12	1.16 (29.46)	1.062 (26.97)	.8750-20 UNEF-2A	.750-28 UN-2A		.719 (18.26)	.938 (23.83)
14	1.34 (34.04)	1.250 (31.75)	1.0625-20 UN-2A	.938-28 UN-2A		.893 (22.68)	1.125 (28.58)
15	1.41 (35.81)	1.312 (33.32)	1.1250-20 UN-2A	1.000-28 UN-2A		.955 (24.26)	1.188 (30.18)
21	1.70 (43.18)	1.562 (39.67)	1.4375-20 UN-2A	1.312-28 UN		1.257 (31.93)	1.500 (38.10)

Cutout Dimensions						
 RECOMMENDED PANEL CUTOUT FOR STYLE 00 FRONT MOUNT JAM NUT	Shell Size	H Flat	$\varnothing J$	Shell Size	H Flat	$\varnothing J$
		5	.291 (7.39)	.322	10	.666 (16.92)
.291 (7.39)				.661 (16.79)		
6		.417 (10.59)	.448	12	.729 (18.52)	.760
		.412 (10.46)			.724 (18.39)	
7		.479 (12.17)	.510	14	.903 (22.94)	.948
		.474 (12.04)			.898 (22.81)	
8		.541 (13.74)	.572	15	.965 (24.51)	1.010
		.536 (13.61)			.960 (24.38)	
9		.604 (15.34)	.635	21	1.267 (32.18)	1.322
		.599 (15.21)			1.263 (32.08)	

SUBSEA SHALLOW WATER: AQUAMOUSE™

