

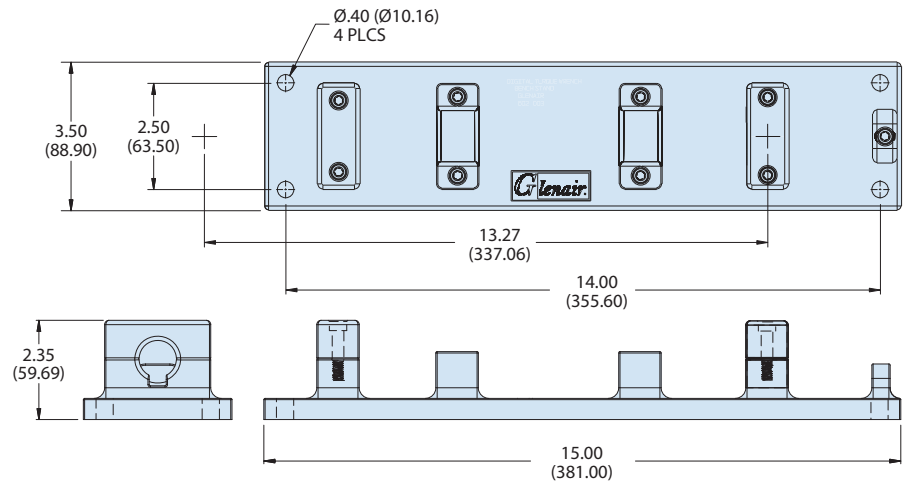
602-003 Bench Stand for Digital Torque Wrench 602-004 Adjustable Mount



NOTES

- Use in conjunction with Glenair 600-002 digital torque wrench.
- Material/finish: Al alloy, blue anodize
- Suppled with mounting hardware
- Tools required: 3/16" hex key

HOW TO ORDER	
Sample Part Number	602-003
Basic Part Number	602-003 Bench Stand for Digital Torque Wrench



HOW TO ORDER	
Sample Part Number	602-004
Basic Part Number	602-004 Adjustable Mount for 602-003 Bench Stand



NOTES

- Use in conjunction with Glenair 602-003 bench stand
- Material/ finish: Al alloy, black anodize
- Tools required: 3/16" hex key

