



USB 3.2 GEN 2 TYPE C

Series 801, 804 and 805 Mighty Mouse

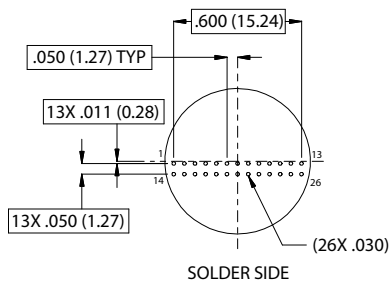


804-382 Receptacle with USB Type C Interface to Solder Cup Termination

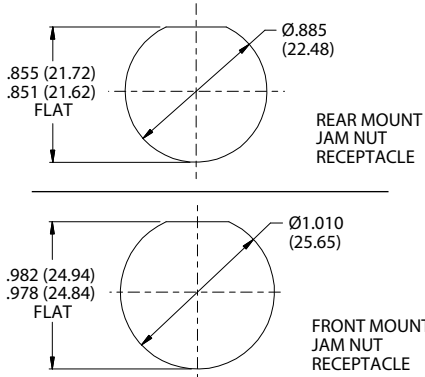
Series 804 Push/Pull

How To Order	
Sample Part Number	804-382 NF 07 -12 A
Series	804-382 = PCB Mount
Material and Finish <sup>1</sup>	NF = Aluminum/Cadmium, Olive Drab M = Aluminum/Electroless Nickel MT = Aluminum/Nickel PTFE ZNU = Aluminum/Black Zinc Nickel
Shell Style <sup>1</sup>	00 = Jam-nut Receptacle for Front Panel Mounting 07 = Jam-nut Receptacle for Rear Panel Mounting
Shell Size	12 = Shell Size 12
Alternate Key Positions <sup>1</sup>	A, B, C, D, E, F

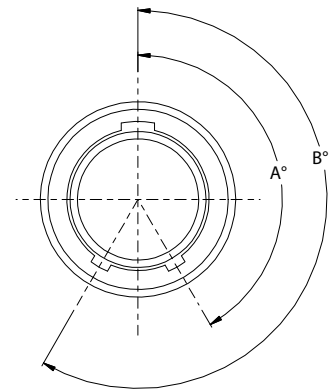
PCB LAYOUT



PANEL CUTOUT DIMENSIONS



Alternate Key and Keyway Positions		
Position	A°	B°
A	150°	210°
B	75°	210°
C	95°	230°
D	140°	275°
E	75°	275°
F	95°	210°



NOTES

- Connector designed to meet IP67 sealing requirement unmated condition
- USB 3.2 Gen 2 (Type C) specifications:
  - Performance: design meets USB 3.2 Gen 2 (Type C) benchmark data transfer rate requirements for read and write

Electrical:

- DWV: 100 VAC
- Insulation resistance: 100 MegOhms min.
- Operating Temperature: -20° C to +85° C

3. Material/Finish:

- Shell, coupling nut, jam-nut: aluminum alloy or CRES
- Seal/O-ring: fluorosilicone
- Hardware: stainless steel

USB Type C

- Housing: thermoplastic
- Shell: copper alloy/nickel plated
- Terminal: copper alloy/gold plated



USB 3.2 GEN 2 TYPE C

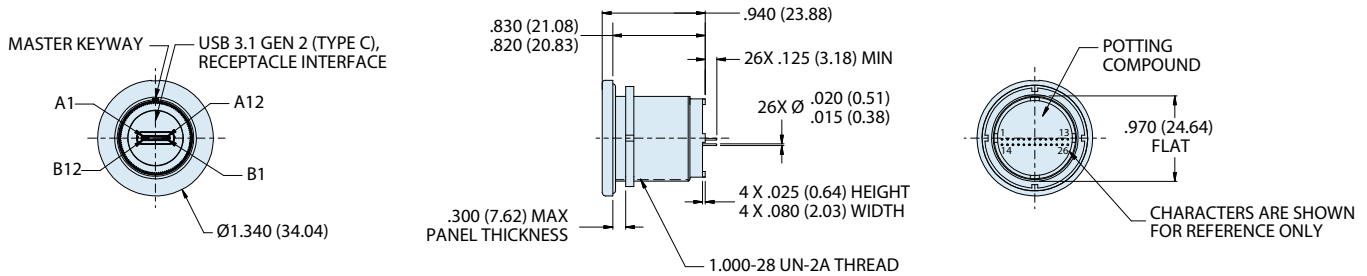
Series 801, 804 and 805 Mighty Mouse



804-382 Receptacle with USB Type C Interface to Solder Cup Termination

Series 804 Push/Pull

**SHELL STYLE 00 JAM NUT RECEPTACLE FOR FRONT PANEL MOUNTING**



**SHELL STYLE 07 JAM NUT RECEPTACLE FOR REAR PANEL MOUNTING**

