



USB 2.0 TYPE A

Series 801, 804 and 805 Mighty Mouse



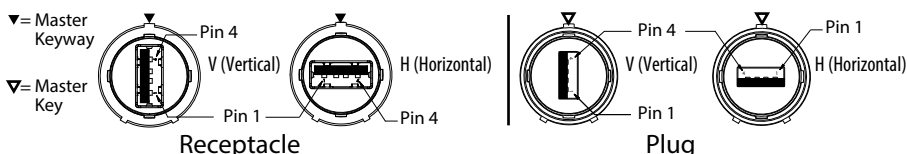
805-341 Connectors with USB Male (Plug) or Female (Receptacle) to Crimp Removable Contacts

Series 805 Triple Start

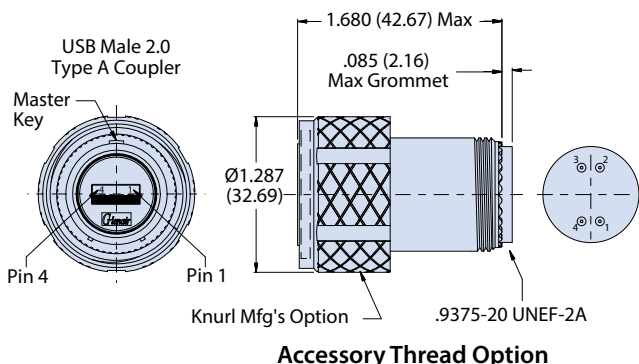
How To Order	
Sample Part Number	805-341 - NF 07 -18 2 A A H
Series	805-341
Rear Accessory Option	- = Accessory Thread and Teeth B = Integrated Boot Adaptor S = Integrated Banding Platform
Material and Finish¹	NF = Aluminum/Cadmium, Olive Drab M = Aluminum/Electroless Nickel MT = Aluminum/Nickel PTFE ZNU = Aluminum/Black Zinc Nickel
Shell Style¹	01 = In Line Receptacle 02 = Front or Rear Panel Mount Square Flange Receptacle 12 = Rear Panel Mount Square Flange Receptacle with "Non-Locking" Clinch Nuts 22 = Rear Panel Mount Square Flange Receptacle with "Locking" Clinch Nuts 07 = Rear Panel Mount Jam Nut Receptacle 16 = Plug
Shell Size	18 = Shell Size 18
USB Performance	2 = USB 2.0
USB Type	A = Type A
Alternate Key Positions¹	A, B, C, D, E, F
USB Orientation	H = Horizontal V = Vertical

USB 2.0 Wiring				
Pin	Name	Cable Color (USB)	Desc.	Recommended Wire Size (AWG)
1	(V Bus)	Red	+5 V	22
2	(D-)	White	Data -	28
3	(D+)	Green	Data +	28
4	(GND)	Black	Ground	22

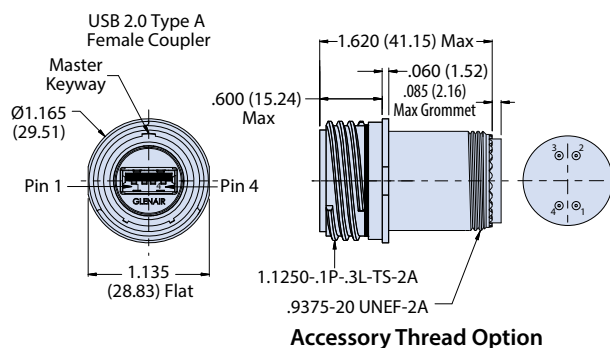
USB 2.0 ORIENTATION OPTIONS



SHELL STYLE 16 PLUG



SHELL STYLE 01 IN-LINE RECEPTACLE





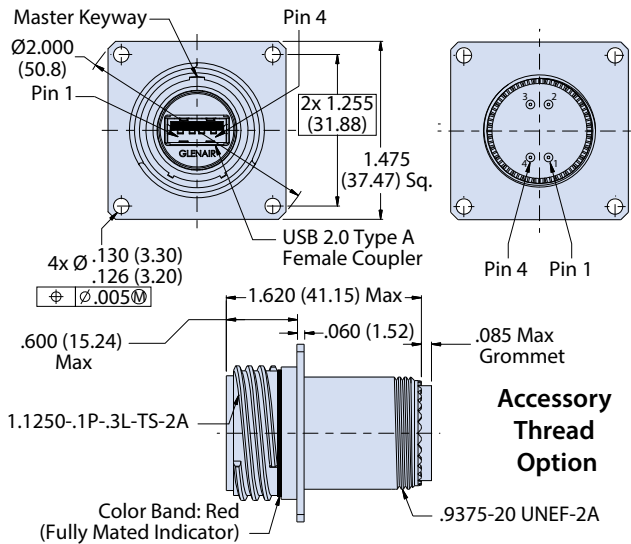
USB 2.0 TYPE A
Series 801, 804 and 805 Mighty Mouse



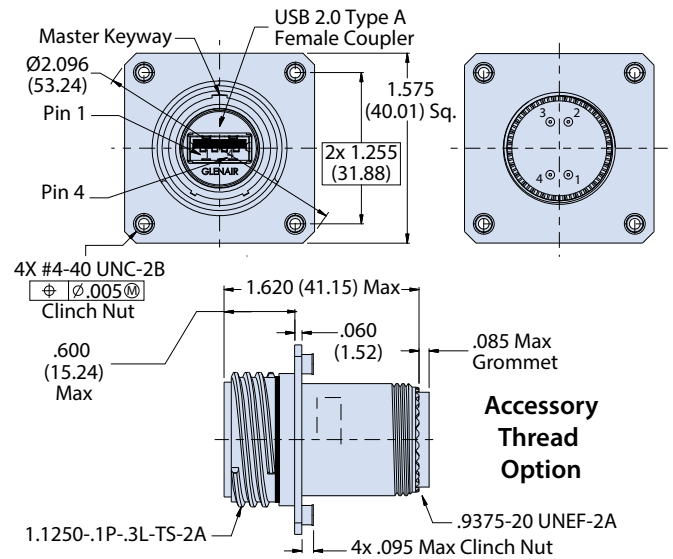
805-341 Connectors with USB Male (Plug) or Female (Receptacle) to Crimp Removable Contacts

Series 805 Triple Start

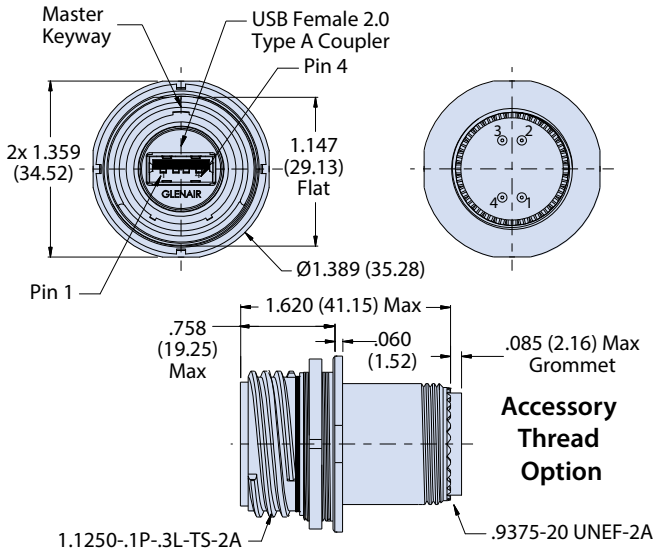
SHELL STYLE 02 FRONT OR REAR PANEL MOUNT RECEPTACLE



SHELL STYLE 12 & 22 REAR PANEL MOUNT RECEPTACLE WITH CLINCH NUTS



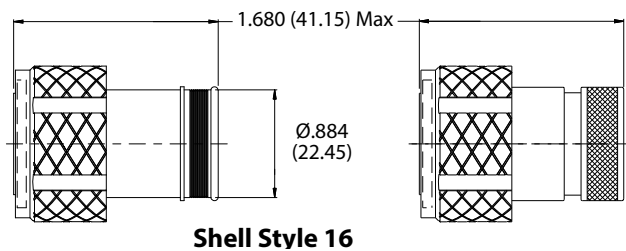
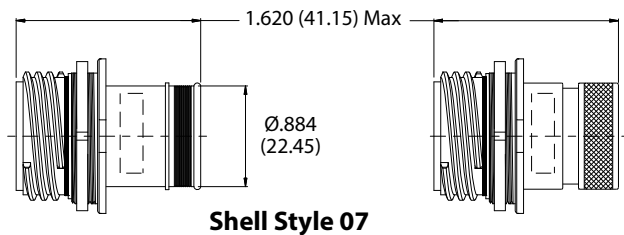
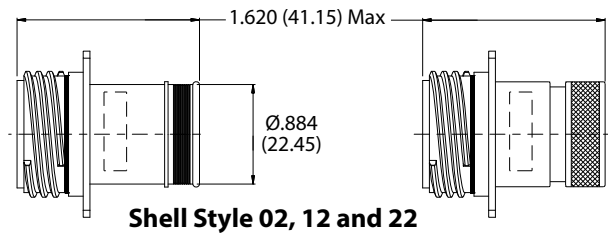
SHELL STYLE 07 REAR PANEL MOUNT JAM NUT RECEPTACLE



REAR ACCESSORY OPTIONS (AVAILABLE FOR IN-LINE ALSO)

Banding Platform (S)

Boot Adapter (B)



NOTES

1. See Section A for recommended panel cutout dimensions, additional finishes and alternate keyway positions.
2. Meets IP67 sealing requirement in unmated condition
3. Supplied with size 23 crimp socket contacts (809-002 supplied loose)