



USB 2.0 TYPE A

Series 801, 804 and 805 Mighty Mouse



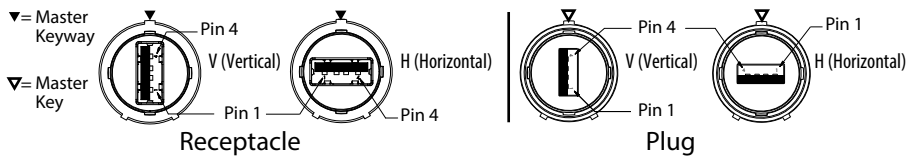
804-341 Connectors with USB Male (Plug) or Female (Receptacle) to Crimp Removable Contacts

Series 804 Push/Pull

How To Order	
Sample Part Number	804-341 - NF 07 -14 2 A A H
Series	804-341
Rear Accessory Option	- = Accessory Thread and Teeth B = Integrated Boot Adaptor S = Integrated Banding Platform
Material and Finish ¹	NF = Aluminum/Cadmium, Olive Drab MT = Aluminum/Nickel PTFE M = Aluminum/Electroless Nickel ZNU = Aluminum/Black Zinc Nickel
Shell Style ¹	01 = In Line Receptacle 00 = Front Panel Mount Jam Nut Receptacle 07 = Rear Panel Mount Jam Nut Receptacle 06 = Plug
Shell Size	14 = Shell Size 14
USB Performance	2 = USB 2.0
USB Type	A = Type A
Alternate Key Positions ¹	A, B, C, D, E, F; Omit for single keyway (non polarized)
USB Orientation	H = Horizontal V = Vertical

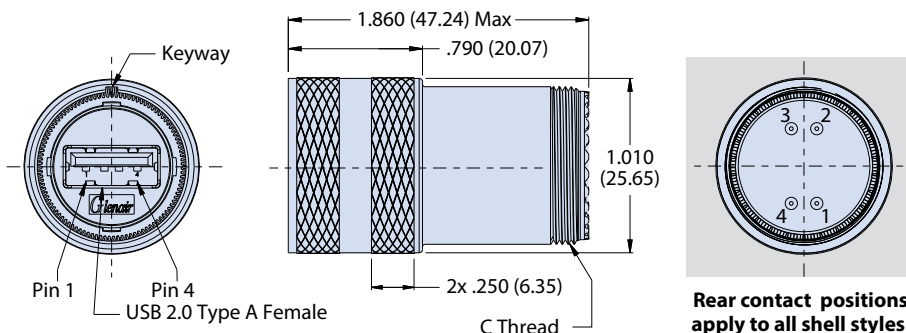
USB 2.0 Wiring				
Pin	Name	Cable Color (USB)	Desc.	Recommended Wire Size (AWG)
1	(V Bus)	Red	+5 V	22
2	(D-)	White	Data -	28
3	(D+)	Green	Data +	28
4	(GND)	Black	Ground	22

USB 2.0 ORIENTATION OPTIONS



Receptacle Dimensions						
Shell Size	Mounting Style	Ø A	B Threads	Ø D	K Threads	C Threads
14	Front Mount	-	-	1.390 (35.31)	1.0620-20 UN-2A	.9375-20 UNEF-2A
	Rear Mount	1.325 (33.66)	1.0000-28 UN-2A	-	-	.9375-20 UNEF-2A

SHELL STYLE 01 IN-LINE RECEPTACLE



NOTES

1. See Section A for recommended panel cutout dimensions, additional finishes and alternate keyway positions.
2. Meets IP67 sealing requirement in unmated condition
3. Supplied with size 23 crimp socket contacts (809-002 supplied loose)
4. Material/finish
 - Shell, jam nut: al alloy or cres
 - Seal/o-ring: fluorosilicone

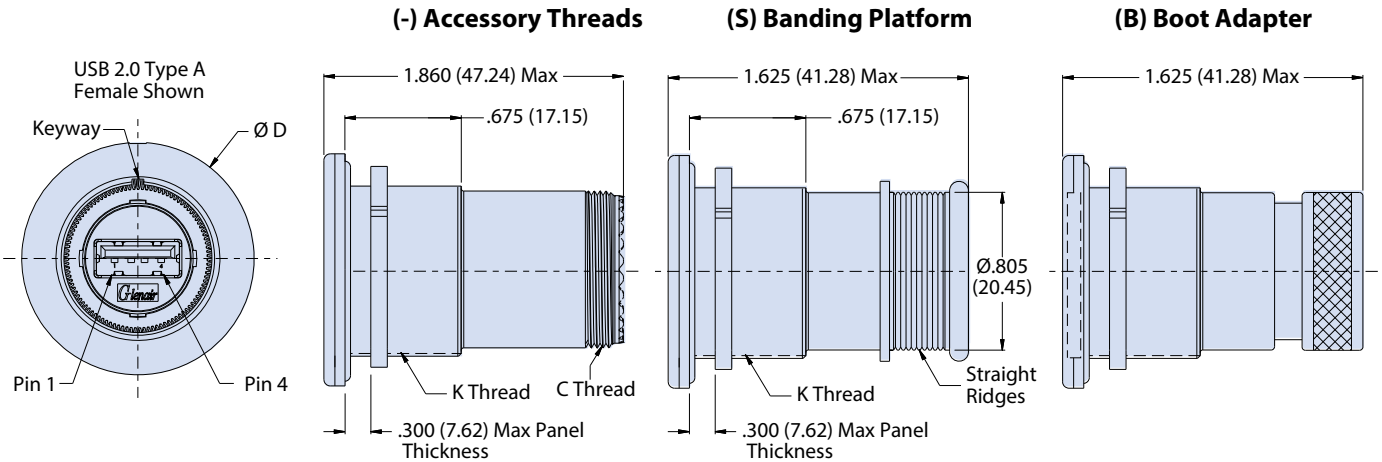


USB 2.0 TYPE A
 Series 801, 804 and 805 Mighty Mouse
 804-341 Connectors with USB Male (Plug) or Female
 (Receptacle) to Crimp Removable Contacts

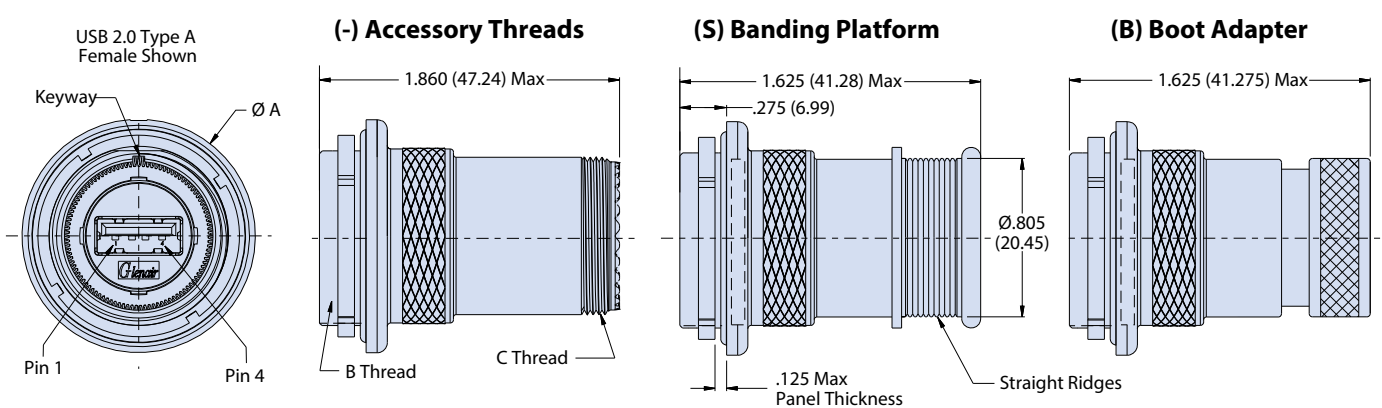


Series 804 Push/Pull

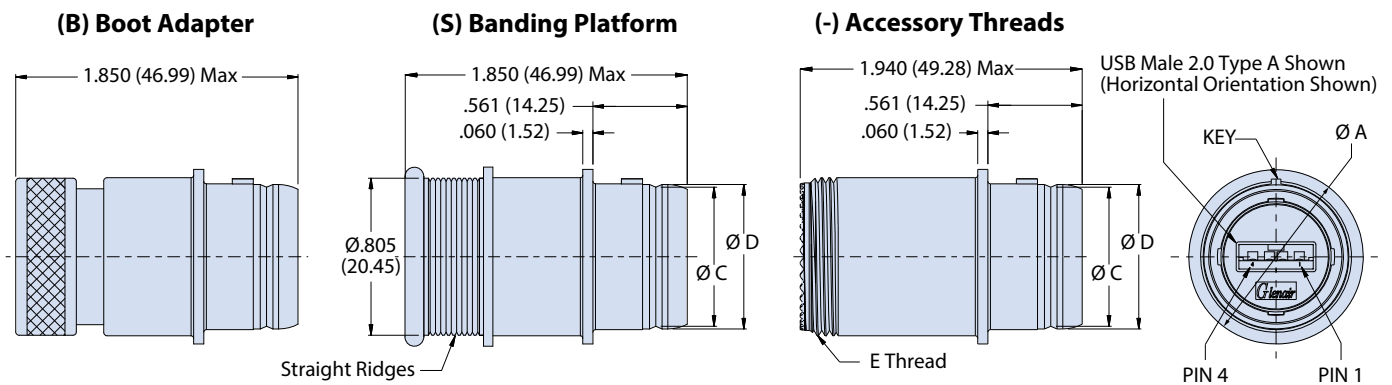
SHELL STYLE 00 FRONT PANEL MOUNT JAM NUT RECEPTACLE



SHELL STYLE 07 REAR PANEL MOUNT JAM NUT RECEPTACLE



SHELL STYLE 16 PLUG



Plug Dimensions				
Shell Size	Ø A	Ø C	Ø D	E Threads
14	.985 (25.02)	.768 (19.51)	.800 (20.32)	.9375-20 UNEF-2A