



RJ45 CAT 5E ETHERNET

MIL-DTL-38999 Series III Type Connectors



233-314 Plug and Receptacles with crimp removable contacts and integrated banding porch

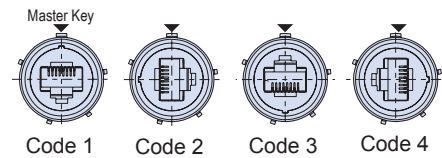
B

Part Number Development	
Sample Part Number	233-314 NF 00 G 17 5H N 1 T
Basic Number	233-314
Finish	See Material and Finish table
Connector Style	See Connector Style table
Insert-to-Shell Grounding	- = Inline shielded RJ45 insert G = Shielded and grounded to shell ²
Shell Size	17 or 19
RJ45 Category	5H = CAT 5e, high-temp. For Cat 6A applications consult factory
Alternate Key Position¹	Per MIL-DTL-38999 A, B, C, D, E, N = Normal
RJ45 Orientation	1, 2, 3, or 4
Shrink Boot	T = Part No. 770-028 (Omit for None)

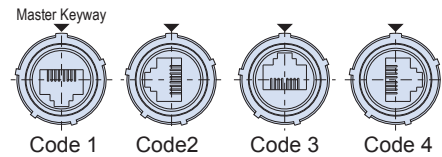
Connector Style ¹	
00	Wall mount receptacle with slotted holes
05	Inline Receptacle
07	rear panel mount, jam nut receptacle
D0	Wall mount receptacle with round holes
CM	Wall mount receptacle with metric clinch nuts
G6	plug

Material and Finish	
NF	Aluminum/Cadmium, Olive Drab
ME	Aluminum/Electroless Nickel
MT	Aluminum/Nickel PTFE
ZR	Aluminum/Black Zinc-Nickel

RJ45 Orientation Options (Plug Face)



RJ45 Orientation Options (Receptacle Face)



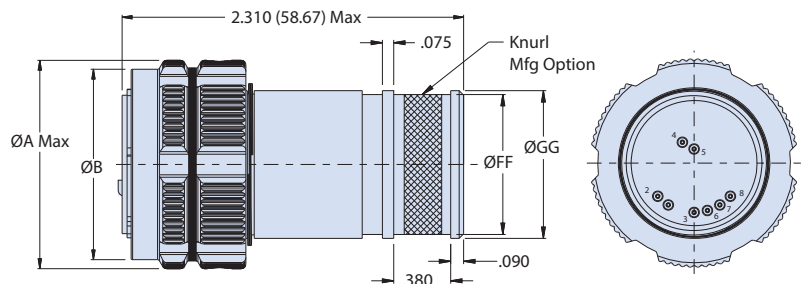
NOTES

1. See Section A for alternate key/keyway positions and panel cutout dimensions
2. G option is inline shielded and grounded to shell, available for receptacle only
3. Front panel mount only
4. Crimp removable size 22 pin contacts (M39029/58-360) supplied loose
5. Meets IP67 in unmated condition and IP68 mated condition
6. For shrink boot see part number 770-028
7. Receptacle connector has RJ45 jack

All external dimensions, features, etc. compliant with D38999/20, /24, &/26. Consult factory for additional information.

G6 PLUG WITH BANDING PORCH

Plug Dimensions								
Shell Size	A Dia Max		B Dia		FF Dia		GG Dia	
	in	mm	in	mm	in	mm	in	mm
17	1.406	35.71	1.276	32.41	.945	24.00	.990	25.15
			1.268	32.21				
19	1.516	38.51	1.382	35.10	1.050	26.67	1.100	27.94
			1.374	34.90				





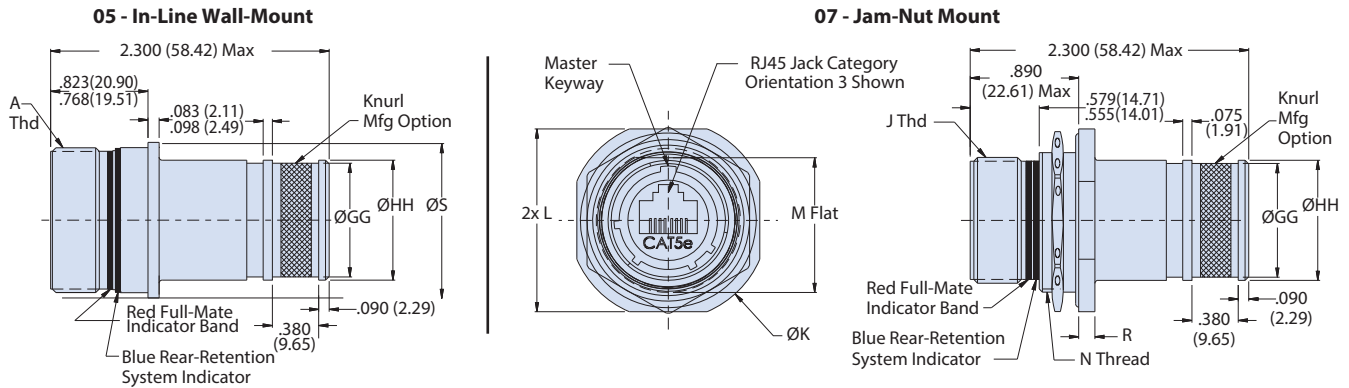
RJ45 CAT 5E ETHERNET

MIL-DTL-38999 Series III Type Connectors



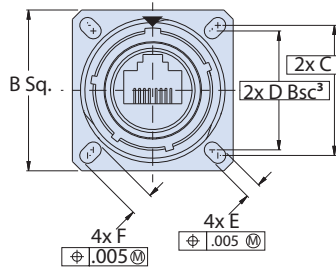
233-314 Plug and Receptacles with crimp removable contacts and integrated banding porch

05 - INLINE AND 07 - REAR PANEL MOUNT, JAM NUT RECEPTACLE WITH BANDING PORCH

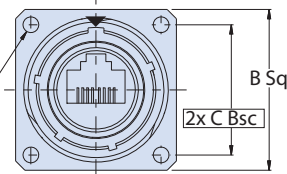


00, D0 AND CM - WALL MOUNT RECEPTACLES WITH ACCESSORY THREADS

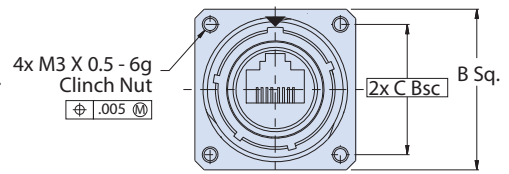
00 - Wall Mount Receptacle with Slotted Holes (Mating Face)



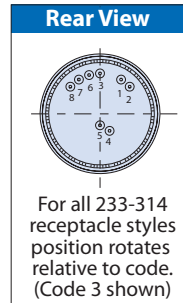
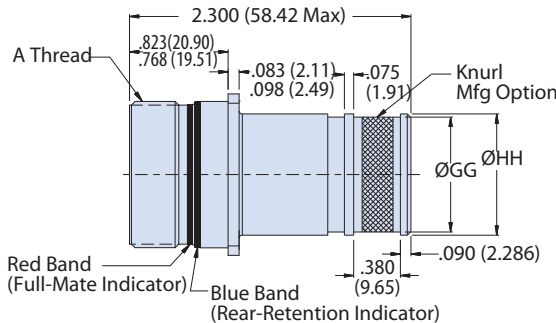
D0 - Wall Mount Receptacle with Round Holes (Mating Face)



CM - Wall Mount Receptacle with Metric Clinch Nuts (Mating Face)



00, D0 and CM - Wall Mount Receptacle



Wall Mount Receptacle Dimensions

Shell Size	B Sq	C Bsc	D Bsc ³	E	F	ØGG	ØHH	Ø H Holes
17	1.323 (33.60)	1.062	.969	.136 (3.45)	.202 (5.13)	.960 (24.38)	1.022 (25.96)	.136 (3.45)
	1.299 (32.99)	(26.97)	(24.61)					
19	1.449 (36.80)	1.156	1.062	.120 (3.05)	.186 (4.72)	1.062 (26.97)	1.125 (28.58)	.120 (3.05)
	1.425 (36.20)	(29.36)	(26.97)					

In-line and Jam Nut Receptacle Dimensions

Shell Size	ØK	L	M Flat	R	ØS Max
17	1.764 (44.81)	1.642 (41.71)	1.191 (30.25)	.122 (3.09)	1.406 (35.71)
	1.740 (44.20)	1.610 (40.89)	1.181 (30.00)	.083 (2.11)	
19	1.949 (49.50)	1.827 (46.51)	1.316 (33.43)	.153 (3.89)	1.516 (38.51)
	1.925 (48.90)	1.795 (45.59)	1.305 (33.15)	.114 (2.90)	

Thread Dimensions

Shell Size	A and J Threads	N Thread
17	1.1875-.1P-.3L-TS-2A	M32 x 1.0-6g 0.100R
19	1.2500-.1P-.3L-TS-2A	M35 x 1.0-6g 0.100R