



USB 3.0 TYPE A CONNECTORS

MIL-DTL-38999 Series III Type Connectors



2330-0445 USB 3.0 Cable assembly



2330-0445 Glenair SuperSeal™ USB 3.0 cable jumpers, with SuperNine® connectors to standard USB Type A plug

SuperSeal USB connectors are IP67 open face rated and IP68 in the mated condition for complete protection in harsh environments. SuperSeal connector styles include plug, wall mount and jam-nut receptacles. USB 3.0 can be ordered in horizontal or vertical orientation to provide further security against mismatching and conform to existing USB orientations. Please consult factory for custom configurations.

All external dimensions, features, etc. compliant with D38999/20, /24, &/26. Consult factory for additional information.

Material and Finish	
NF	Aluminum/cadmium, olive drab
ME	Aluminum/electroless nickel
ZR	Zinc nickel, black (tri-valent chromium) RoHS compliant

Connector Style	
G6	Plug
07	Rear panel mount, jam nut receptacle
00	Wall mount receptacle with slotted holes?

Part Number Development									
Sample Part Number	2330-0445	NF	07	-15	3	A	N	H	-03
Basic Number	2330-0445								
P1 Finish	See Material and Finish table								
P1 Connector Style ¹	See Connector Style table								
P1 Shell Size	15								
USB Performance	3 = USB 3.0								
USB Interface	A = Type A								
Polarization	N = Normal								
USB Orientation	H = Horizontal V = Vertical								
Overall Length	01, 02, 03, 06 and 10 feet in length. For lengths longer than 10 feet use 2330-0450 repeaters for optimal performance								

NOTES

1. See Section A for panel cutout dimensions
2. Meets IP67 in unmated condition, IP68 mated
3. USB 3.0 Specifications
DWV: 100 VAC (RMS)
IR: 100 Megohms minimum
Operating Temperature: 20°C to +85°C
4. Standard configurations provided with adhesive lined shrink boot
5. SuperSeal plug houses USB plug.
Superseal receptacle houses USB receptacle

USB Receptacle Orientation Options (Partial Views Shown)

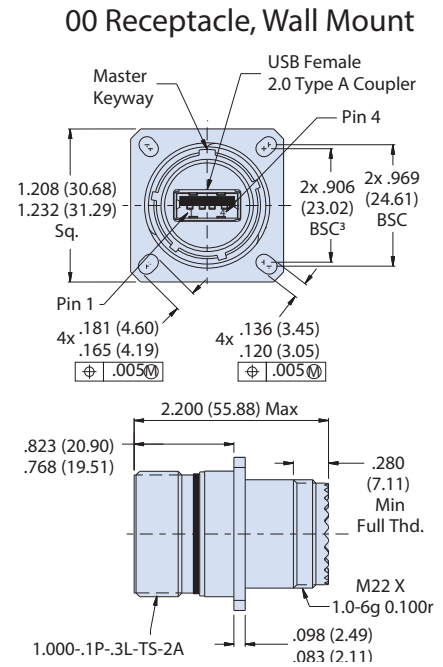
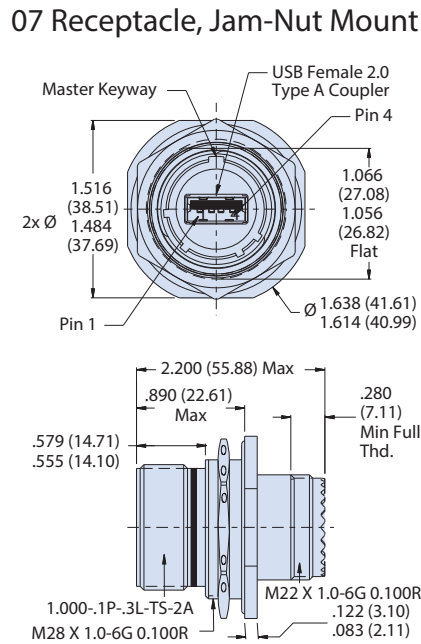
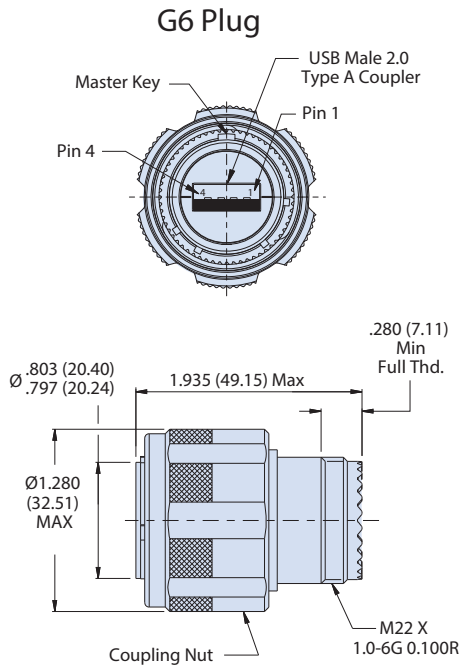




USB 3.0 TYPE A CONNECTORS
 MIL-DTL-38999 Series III Type Connectors
 2330-0445 USB 3.0 Cable assembly



AVAILABLE P 1 CONNECTOR DIMENSIONS, SHELL SIZE 15



CABLE ASSEMBLY SHOWN WITH PLUG CONNECTOR STYLE

