



# USB 3.0 TYPE A CONNECTORS

## MIL-DTL-38999 Series III Type Connectors



233-350 Panel mount receptacle couplers with accessory threads



Part Number Development								
Sample Part Number	233-350	NF	00	-15	3	A	N	H
Basic Number	233-350							
Finish	See Material and Finish table							
Connector Style <sup>1</sup>	See Connector Style table							
Shell Size	15							
USB Performance	3 = USB 3.0							
USB Interface (Front and Back)	A = Type A							
Alternate Key Position <sup>1</sup>	A, B, C, D, E, N = Normal per MIL-DTL-38999							
USB Orientation	H = Horizontal V = Vertical							
Shrink Boot	T = Part No. 770-028 (Omit for None)							

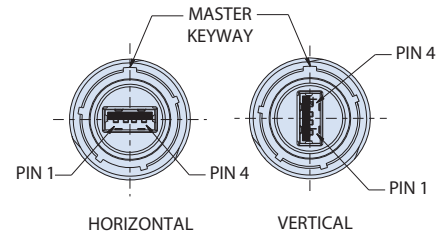
Material and Finish	
NF	Aluminum/Cadmium, Olive Drab
ME	Aluminum/Electroless Nickel
MT	Aluminum/Nickel PTFE
ZR	Aluminum/Black Zinc-Nickel
AB	Marine Bronze
XM	Composite/Electroless Nickel

Additional material / finish options available consult factory

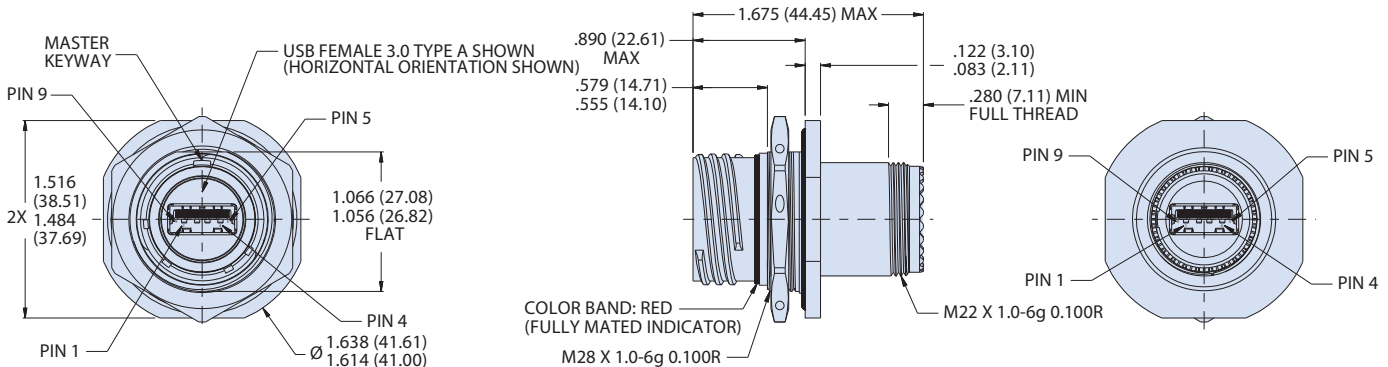
Connector Style	
07	Rear panel mount, jam nut receptacle
00	Wall mount receptacle with slotted holes
D0	Wall mount receptacle with thru-holes
CM	Wall mount receptacle with metric clinch nuts

All external dimensions, features, etc. compliant with D38999/20, /24, &/26. Consult factory for additional information.

### USB Receptacle Orientation Options



### 07 - REAR PANEL MOUNT, JAM NUT RECEPTACLE



### NOTES

- See Section A for alternate key/keyway positions and panel cutout dimensions
- Meets IP67 in unmated condition, IP68 mated
- USB female port, front and back
- Front panel mount only
- Material and Finish
  - Shell, jam nut: al alloy
  - Insulators: high grade rigid dielectric/n.a.
  - Contacts: copper alloy, gold plated
  - Seals: silicone based elastomer
- USB (shell/contacts): copper alloy
- Dielectric: hi-temp thermoplastic PA9T UL94V-0
- Hardware: stainless steel /passivated



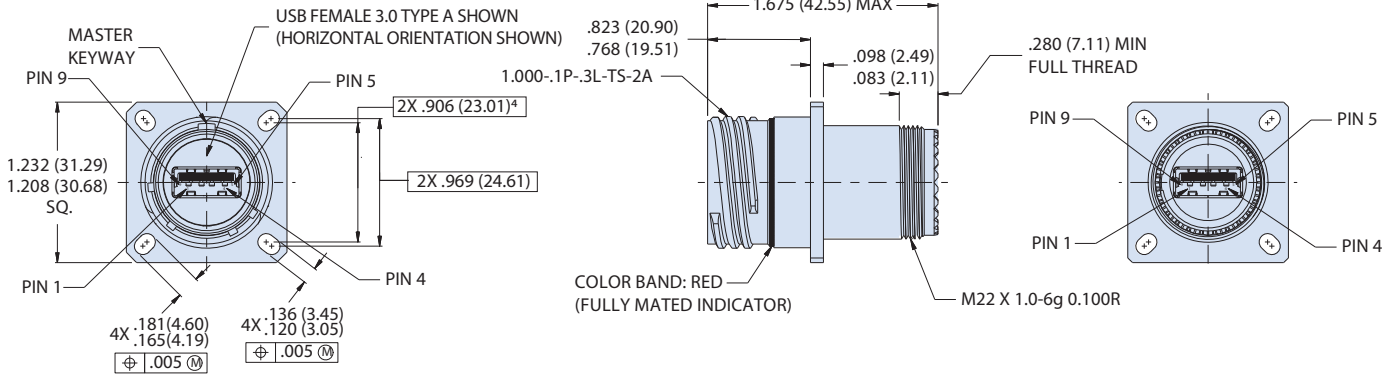
USB 3.0 TYPE A CONNECTORS

MIL-DTL-38999 Series III Type Connectors

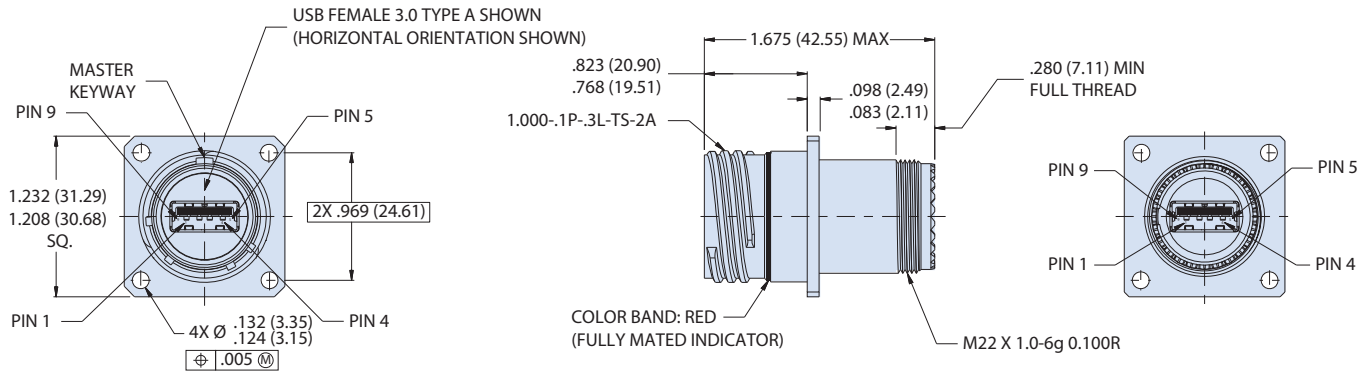


233-350 Panel mount receptacle couplers with accessory threads

**00 - WALL MOUNT RECEPTACLE WITH SLOTTED THRU-HOLES**



**DO - WALL MOUNT RECEPTACLE WITH ROUND THRU-HOLES**



**CM - WALL MOUNT RECEPTACLE WITH METRIC CLINCH NUTS**

