

**MIL-DTL-38999 Series III Type
233-256 Jam nut mount receptacle**

CODE RED HERMETIC CONNECTORS

Part Number Development								
Sample Part Number	233-256			ME	17	-35	C	N
Series / Basic Part No.	Series 23 SuperNine CODE RED hermetic connector							
Material/Finish*	ME = Aluminum alloy, nickel plate AB = Aluminum bronze							
Shell Size*	9, 11, 13, 15, 17, 19, 21, 23, 25							
Insert Arrangement*	Per MIL-STD-1560							
Contact Style	C = Pin, PC Tail		D = Socket, PC Tail		P = Pin, Solder Cup		S = Socket, Solder Cup	
Polarization*	A, B, C, D, E, N = Normal; see section A for key position details							

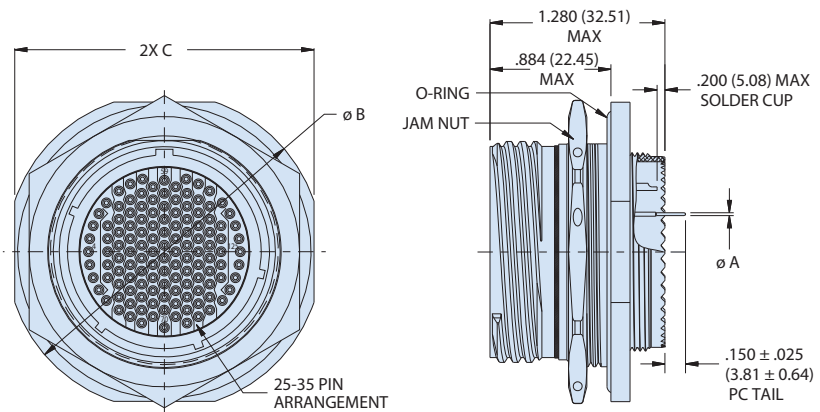
*Refer to Section A for standard insert arrangements and pages D-8 thru D-10 for special shielded contact arrangements, consult factory for additional options
Modification codes may be added directly to the end of any valid part number

NOTES

- Connectors meet all applicable dimensions, mechanical, electrical, environmental and sealing requirements of MIL-DTL-38999/24, PC tails.
- Connectors tested and meet applicable requirements of MIL-DTL-38999/24, class N & Y. See glenair test report GT-16-233.
- Performances:
 - Operation temperature range: -65°C to +200°C
 - Leak rate: 1×10^{-7} cc/s max helium, 1 ATM.
 - IR: 5,000 megohms min at room temperature per MIL-DTL-38999.
 - DWV: see service rating per applicable MIL-STD-1560 arrangements.

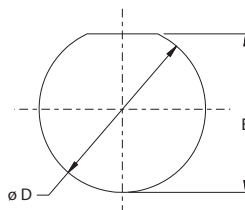
MATERIAL/FINISHES:

- Shell & jam nuts: see material/plating in p/n development above.
- Insulators: high grade rigid dielectric / N.A.
- O-ring & seals: fluorosilicone / N.A.
- Contacts: copper alloy / gold plated.
- Sealing compound: silicone base polymer.



Dimensions					
Shell Size Code	Shell Size	ø B ±.010	C ±.016	ø D ±.010 -0.000	E +0.000 -0.010
A	9	1.189 (30.20)	1.063 (27.00)	0.693 (17.60)	0.657 (16.69)
B	11	1.374 (34.90)	1.252 (31.80)	0.825 (20.96)	0.771 (19.58)
C	13	1.500 (38.10)	1.374 (34.90)	1.010 (25.65)	0.955 (24.26)
D	15	1.626 (41.30)	1.500 (38.10)	1.135 (28.83)	1.085 (27.56)
E	17	1.752 (44.50)	1.626 (41.30)	1.260 (32.00)	1.210 (30.73)
F	19	1.937 (49.20)	1.811 (46.00)	1.385 (35.18)	1.335 (33.91)
G	21	2.063 (52.40)	1.937 (49.20)	1.510 (38.35)	1.460 (37.08)
H	23	2.189 (55.60)	2.063 (52.40)	1.635 (41.53)	1.585 (40.26)
J	25	2.311 (58.70)	2.189 (55.60)	1.760 (44.70)	1.710 (43.43)

PC Tail Diameter Dimensions	
Contact Size	ø A
22D	.020/.018 (0.51/ 0.46)
20	.030/.028 (0.76/ 0.71)
16	.040/.038 (1.02/ 0.97)
12	.072/.070 (1.83/ 1.78)



RECOMMENDED PANEL CUTOUT PER MIL-DTL-38999, TYPE E