

MIL-DTL-38999 Series III Type

239-201 Receptacle cover for 233-215 piston-sealed plug

Part Number Development					
Sample Part Number	239-201				
Product Series-Basic No.	Receptacle cover for SuperNine piston-seal connector				
Finish	ME, MT, NF, Z1, P; See Material/Finish Table				
Connector Shell Size	09, 11, 13, 15, 17, 19, 21, 23, 25, 37, 40; See Dimensions Table				
Attachment Type	D, F, G, H, K, N, R, S, T, U; See Lanyard Codes Table				
Attachment Length	Inches; i.e. 17 = 17 inches. Sash chain is ±1 link, all other attachments ±0.25				
Ring Style Dash No.	See Table I				

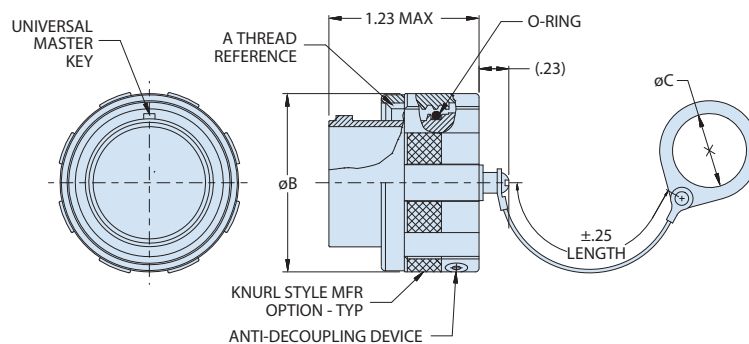
Material/Finish		
Sym	Material / Finish Description	RoHS
ME	Aluminum/Electroless nickel	☑
MT	Aluminum/Ni-PTFE 500 hour nickel fluorocarbon polymer	☑
NF	Aluminum/Cadmium O.D. over electroless nickel	☒
Z1	SST/Passivate	☑
P	SST/electrodeposited nickel	☑

Dimensions		
Shell Size	A Thread 0.1P-0.3L-TS	Ø B Max
09	.6250	.858 (21.8)
11	.7500	.984 (25.0)
13	.8750	1.157 (29.4)
15	1.0000	1.280 (32.5)
17	1.1875	1.406 (35.7)
19	1.2500	1.516 (38.5)
21	1.3750	1.642 (41.7)
23	1.5000	1.768 (44.9)
25	1.6250	1.890 (48.0)
37	2.2500	2.739 (69.57)
40	2.5000	3.010 (76.45)

Attachment Codes	
Code	Description
D	Bead chain, cres, passivated
F	Wire rope, nylon jacket with terminal
G	Nylon rope, black with looped ends
H	Wire rope, fluoropolymer jacket with terminal
K	Nylon rope (olive drab)
N	No attachment
R	Wire rope, PVC jacket with terminal
S	#8 Sash chain, CRES, passivated
T	Wire rope, no jacket with terminal
U	Wire rope, polyurethane with jacket

Table I	
Dash No	ØC Dia ±.015 (0.4)
08	.468 (11.9)
10	.593 (15.1)
12	.718 (18.2)
13	.765 (19.4)
14	.844 (21.4)
15	.890 (22.6)
16	.968 (24.6)
17	1.015 (25.8)
18	1.093 (27.8)
19	1.140 (29.0)
20	1.203 (30.6)
21	1.265 (32.1)
22	1.343 (34.1)
23	1.453 (36.9)
24	1.484 (37.7)
25	1.577 (40.1)
27	1.640 (41.7)
28	1.687 (42.8)
29	1.765 (44.8)
30	1.890 (48.0)
31	1.953 (49.6)
32	1.968 (50.0)
33	2.077 (52.8)
35	2.140 (54.4)
36	2.187 (55.5)
40	2.406 (61.1)
44	2.656 (67.5)
48	3.031 (77.0)

Available Lanyard Types (shown with eyelet attachment)
Bead Chain (Type D)
Sash Chain (Type S)
Rope (Types F, G, H, K, R, T, U)



NOTES

1. Material/Finish: Hardware, Rivet - CRES/Passivate
2. 239-201 receptacle cover is designed to meet or exceed the appropriate mechanical, dimensional, and environmental requirements of MIL-DTL-38999 Series III except as shown or noted. Receptacle cover is for use with 233-215 piston-sealed connector series.
3. Length tolerance for sash chain (S) is ± one link, for all other attachments ±.25
4. Diameter C is maximum mandrel dia. which attachment will rotate freely over