

## 882-026 Cable Receptacle, Threaded Coupling



**100 ohm. Ultraminiature. High performance.** 882-026 SuperFly Datalink Octaxial connectors have one El Ochito® octaxial contact, housing eight socket contacts. Compatible with #24 to #28 AWG, 100 ohm high-speed cable. Supplied as unassembled kit. Terminate wires to contacts with crimp tool. M8.5 metric mating thread. Internal O-ring seals to mating plug. Gold-plated EMI spring for low shell-to-shell resistance. Fluorosilicone O-rings for water-tight seal. Braided cable shield terminates to connector with supplied bushing. **Mates with 882-025 plug only.**

### SIZE AND WEIGHT SAVING

- Smallest high-speed aerospace-grade connector
- Integral strain relief and cable seal
- High density contacts

### HIGH SPEED

- 10 Gbps per pair
- Low-dielectric material

### HARSH ENVIRONMENT

- EMI protection
- Water ingress

Table I: Cable Accommodated

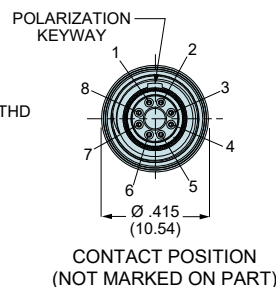
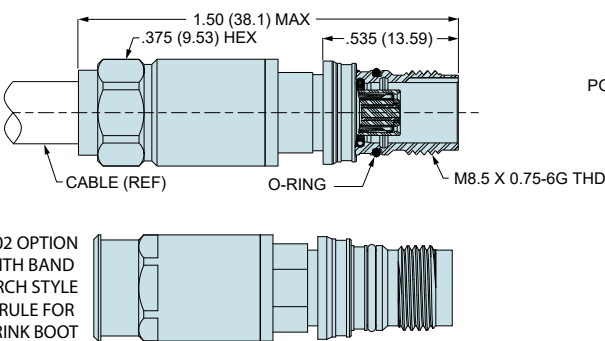
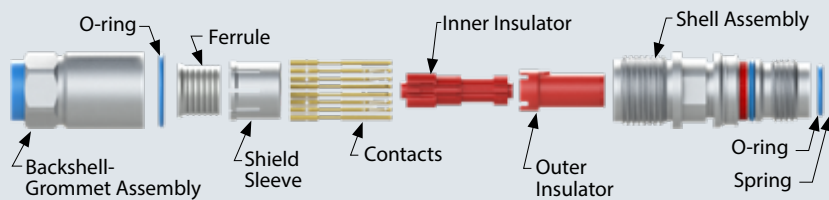
Dash No	Cable Part No.	Data Rate	Ref Cable O.D.
-01	963-033-26	up to 1 Gbps	.220
-02	963-122-X*	up to 10 Gbps	.277 or .299
-03	963-133	SATA 3	.225

\*See cable specifications at end of this section for details.

How To Order Cable Receptacle			
Sample Part Number	882-026	-M	-01
Series	882-026 = Cable Receptacle		
Shell Material and Finish	M = Aluminum / Electroless Nickel MT = Aluminum / Nickel-PTFE ZR = Aluminum / Black Zinc-Nickel Z2 = Aluminum / Aluminum Gold Z1 = Stainless Steel / Nickel-PTFE		
Cable Dash No. (See Table I)	-01, -02 (See A188001-02) or -03 (See A188005-01)		

### 882-026 Components

Connector is supplied unassembled. Assembly instructions are packaged with kit.



El Ochito® Red

### Specifications

- Operating temp.: -65° to +175°C
- Impedance: 100 ohms
- DWV: 500 Vrms unmated
- Current Rating: 1.5 A
- IR: 1000 MΩ min.
- Durability: 2000 mating cycles
- Ingress protection: IP67

### Construction

- Shell, backshell: aluminum alloy or stainless steel
- Insulators: low-dielectric material
- Contacts: copper alloy, 50 microinches gold over nickel plating
- Grommet: fluorosilicone
- O-rings: fluorosilicone
- EMI spring: stainless steel, gold plated
- Shield sleeve, ferrule: copper alloy, electroless nickel plated

### 963-122-X Dash No.

Dash 1	Duraelectric Light -65°C to +200°C, O.D. .299 (7.59)
Dash 2	LSZH Polyurethane -40°C to +90°C, O.D. .299 (.759)
Dash 3	FEP -65°C to +200°C, O.D. .277 (7.04)

### Contact Crimp Tools

- Hand Crimp Tool  
**809-015**  
(M22520/2-01)
- Positioner for Hand Crimp Tool  
**859-101**  
(K1906)