

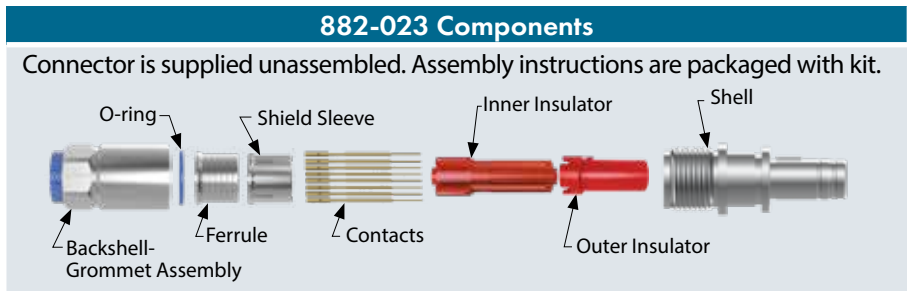
882-023 Cable Plug, Push-Pull QDC Coupling



100 ohm. Ultraminiature. High performance. 882-023 SuperFly Datalink connectors have one El Ochito® octaxial contact, housing eight pin contacts. Compatible with aerospace or commercial grade 100 ohm cable. Supplied as unassembled kit. Terminate wires to contacts with crimp tool. 882-023 plugs feature push-pull mating and demating. Fluorosilicone O-rings for water-tight seal. Braided cable shield terminates to connector with supplied bushing for EMI protection. **Mates to 882-024, 882-027, 882-030, and 882-040 connectors.**

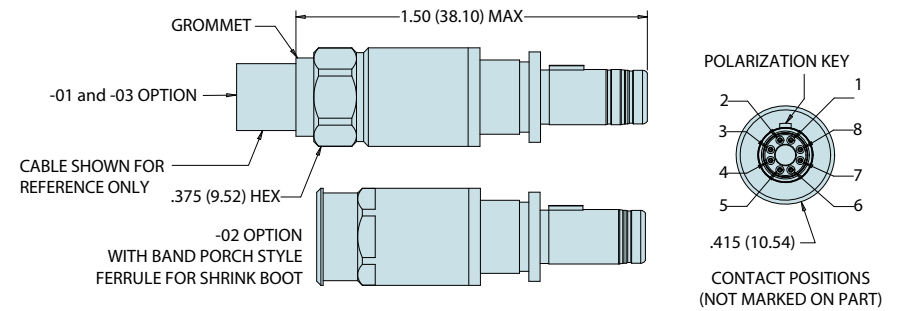
- SIZE AND WEIGHT SAVING**
- .415 inch (10.5 mm.) diameter
 - Integral strain relief and cable seal
 - High density contacts
- HIGH SPEED**
- 10 Gbps per pair
 - Low-dielectric material
- HARSH ENVIRONMENT**
- EMI protection
 - Water ingress
 - Shock and vibration
 - Corrosion resistance

How To Order Cable Plug			
Sample Part Number	882-023	-M	-01
Series	882-023 = Cable Plug		
Shell Material and Finish	M = Aluminum / Electroless Nickel MT = Aluminum / Nickel-PTFE ZR = Aluminum / Black Zinc-Nickel Z2 = Aluminum / Aluminum Gold Z1 = Stainless Steel / Nickel-PTFE		
Cable Dash No. (See Table I)	-01, -02 (See AI88001-02) or -03 (See AI88005-01)		



Dash No	Cable Part No.	Data Rate	Ref Cable O.D.
-01	963-033-26	up to 1 Gbps	.220
-02	963-122-X*	up to 10 Gbps	.277 or .299
-03	963-133	SATA 3	.225

*See cable specifications at end of this section for details.



Specifications
■ Operating temp.: -65° to +175° C
■ Impedance: 100 ohms
■ DWV: 500 Vrms unmated
■ Current Rating: 1.5 A
■ IR: 1000 MΩ min.
■ Durability: 2000 mating cycles
■ Ingress protection: IP67

Construction
■ Shell, backshell: aluminum alloy or stainless steel
■ Insulators: low-dielectric material
■ Contacts: copper alloy, 50 microinches gold over nickel plating
■ Grommet: fluorosilicone
■ O-ring: fluorosilicone
■ Shield sleeve, ferrule: copper alloy, electroless nickel plated

963-122-X Dash No.	
Dash 1	Duraelectric Light -65°C to +200°C, O.D. .299 (7.59)
Dash 2	LSZH Polyurethane -40°C to +90°C, O.D. .299 (.759)
Dash 3	FEP -65°C to +200°C, O.D. .277 (7.04)

Contact Crimp Tools
Hand Crimp Tool 809-015 (M22520/2-01)
Positioner for Hand Crimp Tool 859-101 (K1906)

