

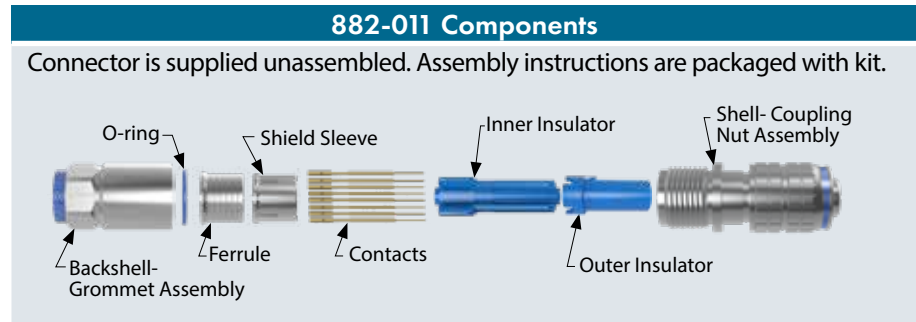
# 882-011 Cable Plug, Threaded Coupling, USB 3.0



**SuperSpeed USB. Ultraminiature. High performance.** 882-011 SuperFly Datalink connectors have one, El Ochito® octaxial contact housing eight pin contacts. Compatible with aerospace-grade 90 ohm SuperSpeed USB cable. Supplied as unassembled kit. Terminate wires to contacts with crimp tool. 882-011 plugs have a rotating coupling nut with M8.5 metric thread. Fluorosilicone O-rings for water-tight seal. Braided cable shield terminates to connector with supplied bushing. **Mates to 882-012, -014, -015, and -042 receptacles.**

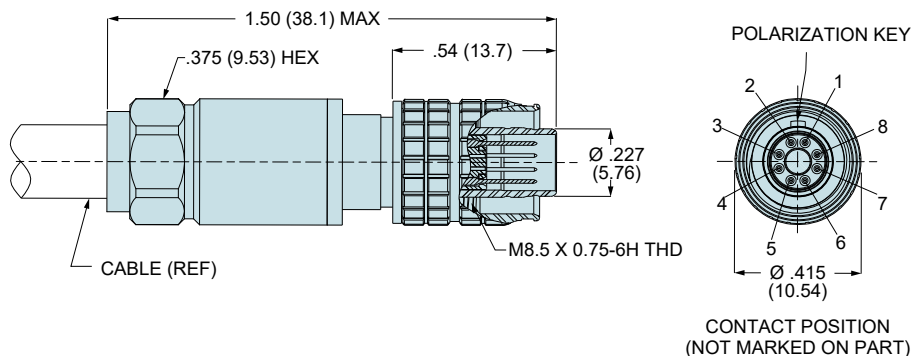
- SIZE AND WEIGHT SAVING**
- Smallest 40GbE aerospace-grade connector
  - Integral strain relief and cable seal
  - High density contacts
- HARSH ENVIRONMENT**
- EMI protection
  - Shock and vibration
  - Corrosion resistance

How To Order Cable Plug			
<b>Sample Part Number</b>	<b>882-011</b>	<b>-M</b>	<b>-01</b>
<b>Series</b>	882-011 = Cable Plug		
<b>Shell Material and Finish</b>	<b>M</b> = Aluminum / Electroless Nickel <b>MT</b> = Aluminum / Nickel-PTFE <b>ZR</b> = Aluminum / Black Zinc-Nickel <b>Z2</b> = Aluminum / Aluminum Gold <b>Z1</b> = Stainless Steel / Nickel-PTFE		
<b>Cable Dash No. (See Table I)</b>	<b>-01</b> (See AI88003) or <b>-02</b> (See AI88004)		



**Table I: Cable Accommodated**

USB 3.0 Cable			
Dash No.	Cable Part No.	Cable Type	Temp. Rating
<b>-01</b>	963-110	Aerospace-Grade Fluoropolymer Jacket	-65° to +200° C
<b>-02</b>	963-118	Commercial-Grade PVC Jacket	0° to +80° C



- Specifications**
- **Operating temp.:** -65° to +175°C (0 To +80°C for commercial-grade cable)
  - **Impedance:** 90 ohms
  - **DWV:** 500 Vrms unmatd
  - **Current Rating:** 1.5 A
  - **IR:** 1000 MΩ min.
  - **Durability:** 2000 mating cycles
  - **Ingress protection:** IP67

- Construction**
- **Shell, coupling nut, backshell:** aluminum alloy or stainless steel
  - **Insulators:** high-grade rigid dielectric
  - **Contacts:** copper alloy, 50 microinches gold over nickel plating
  - **Grommet:** fluorosilicone
  - **O-ring:** fluorosilicone
  - **Shield sleeve, ferrule:** copper alloy, electroless nickel plated

- Contact Crimp Tools**
- |  |   |
|--|---|
| <p>Hand Crimp Tool</p> <p><b>809-015</b><br/>(M22520/2-01)</p> | <p>Positioner for Hand Crimp Tool</p> <p><b>859-101</b><br/>(K1906)</p> |
|--|---|

El Ochito® Blue