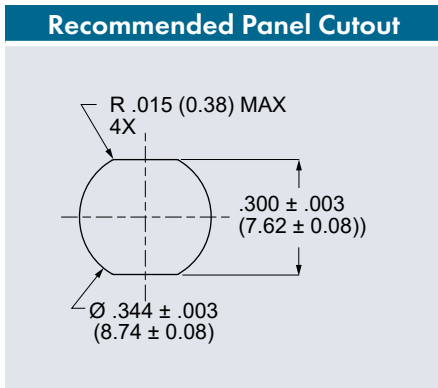


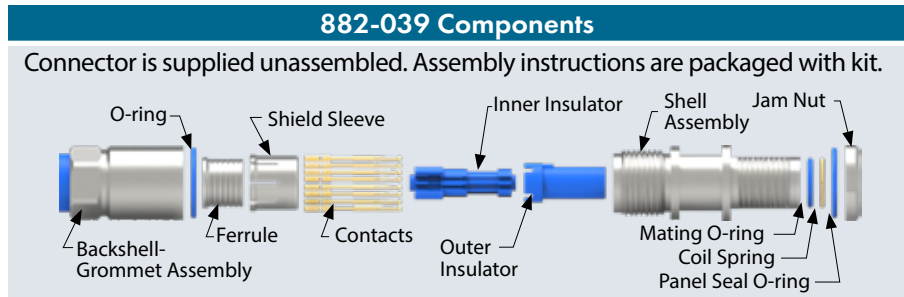
# 882-039 Panel Mount Receptacle, Push-Pull QDC Coupling, USB 3.0



**SuperSpeed USB. Ultraminiature. High performance.** 882-039 SuperFly Datalink connectors have one, El Ochito® octaxial contact housing eight socket contacts. Compatible with aerospace-grade 90 ohm SuperSpeed USB cable. Supplied as unassembled kit. Terminate wires to contacts with crimp tool (purchased separately). M8.5 metric mating thread. Gold-plated EMI spring for low shell-to-shell resistance. Fluorosilicone O-rings for water-tight seal. Braided cable shield terminates to connector with supplied bushing. *Mates to 882-009, -018, -033, and -036 plugs.*

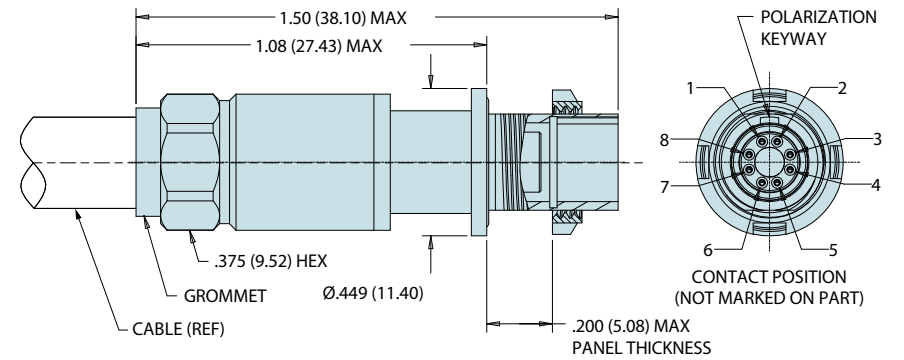


How To Order Panel Mount Receptacle			
<b>Sample Part Number</b>	<b>882-039</b>	<b>-M</b>	<b>-01</b>
<b>Series</b>	882-039 = Panel Mount Receptacle		
<b>Shell Material and Finish</b>	<b>M</b> = Aluminum / Electroless Nickel <b>MT</b> = Aluminum / Nickel-PTFE <b>ZR</b> = Aluminum / Black Zinc-Nickel <b>Z2</b> = Aluminum / Aluminum Gold <b>Z1</b> = Stainless Steel / Nickel-PTFE		
<b>Cable Dash No. (See Table I)</b>	-01 (A188003) thru -02 (A188004)		



**Table I: Cable Accommodated**

USB 3.0 Cable			
Dash No.	Cable Part No.	Cable Type	Temp. Rating
-01	963-110	Aerospace-Grade Fluoropolymer Jacket	-65° to +200° C
-02	963-118	Commercial-Grade PVC Jacket	0° to +80° C



**Specifications**

- Operating temp.: -65° to +175°C (0 To +80°C for commercial-grade cable)
- Impedance: 90 ohms
- DWV: 500 Vrms unmated
- Current Rating: 1.5 A
- IR: 1000 MΩ min.
- Durability: 2000 mating cycles
- Ingress protection: IP67

**Construction**

- Shell, backshell: aluminum alloy or stainless steel
- Insulators: low dielectric thermoplastic
- Contacts: copper alloy, 50 microinches gold over nickel plating
- Grommet: fluorosilicone
- O-rings: fluorosilicone
- EMI spring: stainless steel, gold plated
- Shield sleeve, ferrule: copper alloy, electroless nickel plated

**Contact Crimp Tools**

<p>Hand Crimp Tool</p> <p><b>809-015</b> (M22520/2-01)</p>	<p>Positioner for Hand Crimp Tool</p> <p><b>859-101</b> (K1906)</p>
--	---