

## 882-036 Panel Mount Plug, Push-Pull QDC Coupling, USB 3.0

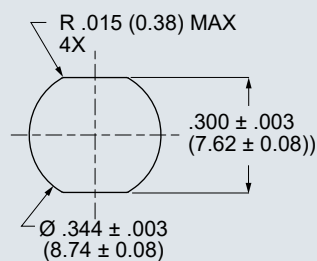


**USB 3.0. Ultraminiature. High performance.** 882-036 SuperFly Datalink connectors have one, El Ochito® octaxial contact housing eight pin contacts. Compatible with aerospace-grade 90 ohm SuperSpeed USB 3.0 cable. Supplied as unassembled kit. Terminate wires to contacts with crimp tool (purchased separately). Connector features push-pull mating and demating. Fluorosilicone O-rings for water-tight seal. Braided cable shield terminates to connector with supplied bushing. **Mates to 882-010, 882-013, 882-016 and 882-039 receptacles.**

### How To Order Panel Mount Plug

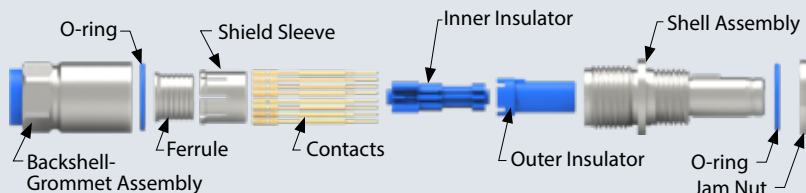
<b>Sample Part Number</b>	<b>882-036</b>	<b>-M</b>	<b>-01</b>
<b>Series</b>	<b>882-036 = Panel Mount Plug</b>		
<b>Shell Material and Finish</b>	<b>M = Aluminum / Electroless Nickel</b>		
	<b>MT = Aluminum / Nickel-PTFE</b>		
	<b>ZR = Aluminum / Black Zinc-Nickel</b>		
	<b>Z2 = Aluminum / Aluminum Gold</b>		
	<b>Z1 = Stainless Steel / Nickel-PTFE</b>		
<b>Cable Dash No. (See Table I)</b>	<b>-01 (AI88003) thru -02 (AI88004)</b>		

### Recommended Panel Cutout



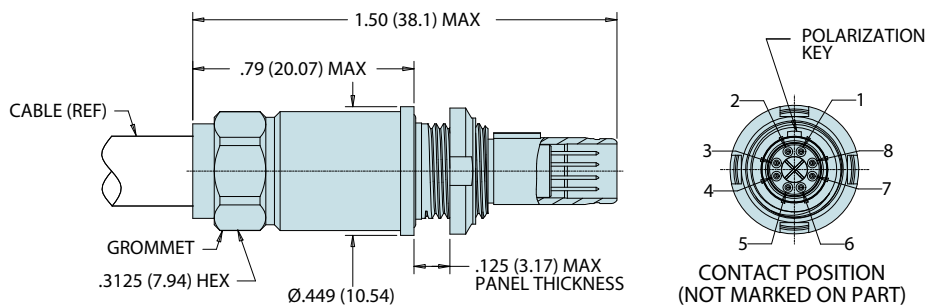
### 882-036 Components

Connector is supplied unassembled. Assembly instructions are packaged with kit.



### Table I: Cable Accommodated

USB 3.0 Cable			
Dash No.	Cable Part No.	Cable Type	Temp. Rating
-01	963-110	Aerospace-Grade Fluoropolymer Jacket	-65° to +200° C
-02	963-118	Commercial-Grade PVC Jacket	0° to +80° C



### Specifications

- **Operating temp.:** -65° to +175°C
- **Impedance:** 90 ohms
- **DWV:** 500 Vrms unmated
- **Current Rating:** 1.5 A
- **IR:** 1000 MΩ min.
- **Durability:** 2000 mating cycles
- **Ingress protection:** IP67

### Construction

- **Shell, backshell:** aluminum alloy or stainless steel
- **Insulators:** high-grade rigid dielectric
- **Contacts:** copper alloy, 50 microinches gold over nickel plating
- **Grommet:** fluorosilicone
- **O-ring:** fluorosilicone
- **Shield sleeve, ferrule:** copper alloy, electroless nickel plated

### Contact Crimp Tools

#### Crimp Tool



**809-015**  
(M22520/2-01)

#### Positioner for Hand Crimp Tool



**859-101**  
(K1906)