

882-033 90° PC Tail Panel Plug, Push-Pull Coupling, USB 3.0



USB 3.0 Ultraminiature. Rear panel jam-nut mount. 90° PCB terminals.

882-033 SuperFly Datalink plugs have eight pin contacts. Attach to .100" (2.54 mm) maximum thickness panel with spanner nut. PC tail contacts are gold plated or solder dipped in 63/37 tin-lead. Contacts are epoxy-sealed and are non-removable. Fluorosilicone O-rings for panel sealing. *Mates to 882-010, -013, -016 and -039.*

SUPERSPEED USB

- 5 Gbps
- Low-dielectric insulators

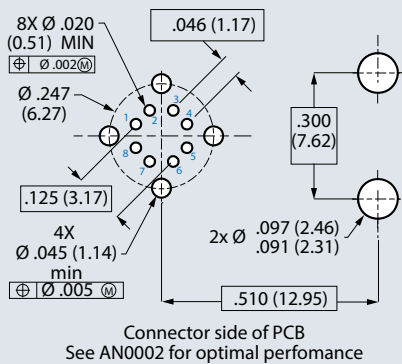
FAST ASSEMBLY

- Pre-tinned PC tail contacts
- Epoxy-sealed terminals

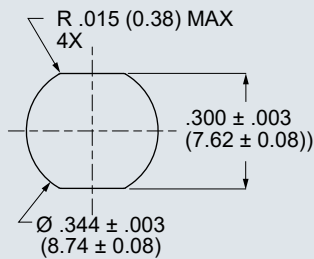
HARSH ENVIRONMENT

- EMI protection, water ingress, shock and vibration

PC Board Layout

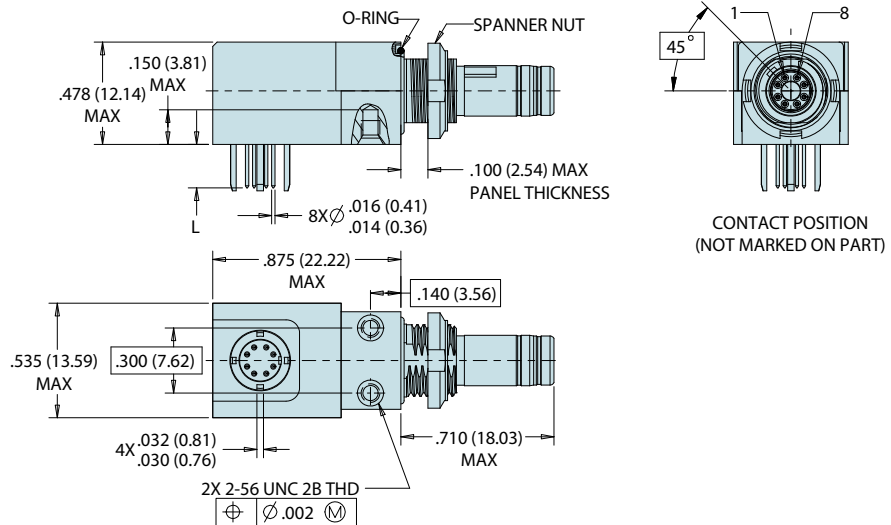


Panel Cutout



How To Order Right Angle PCB Push-Pull Plug

Sample Part Number	882-033	-M	G	-125
Product	882-033 = Right Angle Panel Mount PC Tail Plug			
Shell Finish	M = Electroless Nickel (aluminum shell) MT = Nickel-PTFE (aluminum shell) ZR = Black Zinc-Nickel (aluminum shell) Z2 = Gold (aluminum shell) ZMT = Nickel-PTFE (stainless steel shell)			
PC Tail Finish	S = Solder dip, 63/37 tin-lead G = Gold			
PC Tail Length	.200 = .200 in. (5.08 mm.)			



Specifications

- Operating temp.: -65° to +175°C
- Impedance: 90 ohms
- DWV: 100 Vrms unmated
- Current Rating: 1.5 A
- IR: 100 MΩ min. @ 150 Vdc
- Durability: 2000 mating cycles
- Ingress protection: IP67

Construction

- Shell, jam-nut: aluminum alloy or SST
- Insulators and tray: high-grade rigid dielectric
- Contacts: copper alloy, 50 microinches gold over nickel plating
- O-ring: fluorosilicone
- Potting: epoxy

Spanner Nut Tightening Tool

Nickel-plated tool steel, 1/4" sq. drive
 13 - 18 in.-lbs. recommended torque

