



BATTLE-TESTED

# STAR-PAN™

Video downlink, GPS,  
and auxiliary device cables

**VIDEO / GPS POWER AND DATA CABLES**

Part No. / Description	NATO Stock No. NSN		Page No.
<a href="#">808-040</a>	<a href="#">5995-01-668-8854</a>	DAGR GPS Cable	116
<a href="#">808-045</a>		TacROVER-P SIR 2.0 Cable	117
<a href="#">808-068</a>		TacROVER-P SIR 2.5 Cable	118
<a href="#">808-043</a>	<a href="#">5995-01-693-7025</a>	TacROVER-P SIR 2.5 Video Cable	119
<a href="#">808-082</a>	<a href="#">5995-01-693-6951</a>	TacROVER-E SIR 2.5 Cable	120
<a href="#">808-067</a>	<a href="#">5995-01-693-7053</a>	TacROVER-P SIR 2.5 Cable	121
<a href="#">TS8-463U</a>		TacROVER-E SIR 2.5 Cable with "U" Bend	122
<a href="#">808-152</a>		TacROVER-P SIR 2.5 with TAC-EYE Cable	123
<a href="#">808-151</a>		Tactical Net Rover Cable	124
<a href="#">TS8-404</a>		Tactical Net Rover Cable with TAC-EYE Adapter	125
<a href="#">808-171</a>		Tactical Net Rover Cable with Thru Power	126
<a href="#">TS1-037</a>		Cable for use with 808-151 and TS8-404 Tactical Net Rover Cables	127
<a href="#">808-224</a>	<a href="#">5995-01-683-6023</a>	StrikeHawk Digital Cable	128
<a href="#">TS8-424</a>		Remote Secure Receiver-to-PAN Port Cable	129
<a href="#">TS8-467</a>		Teledyne FLIR BH3 Hangar Cable, Power and Data	130
<a href="#">TS3-072</a>		MOHOC IP Camera Cable	131

BATTLE-TESTED

# STAR-PAN™

## Video downlink, GPS, and auxiliary device cables 808-040 DAGR GPS Cable



VIDEO / GPS AND AUXILIARY CABLES



**DAGR GPS and  
Micro DAGR-V  
Cable**

### SPECIFICATIONS

- For interconnection of C4ISR peripheral to STAR-PAN power / data hubs
- Integrated RS-232 to USB conversion circuitry
- Nomex® braid, olive drab; and black Santoprene wire protection. Consult factory for other cable finish options.
- Overmolded, ergonomic connector strain reliefs.
- Black zinc-nickel stainless steel thumbscrew
- Mighty Mouse 807 (NATO standard) connectors and custom DAGR PC and power connectors
- Weight, 24" cable: 104g
- Export classification: 3A611.x

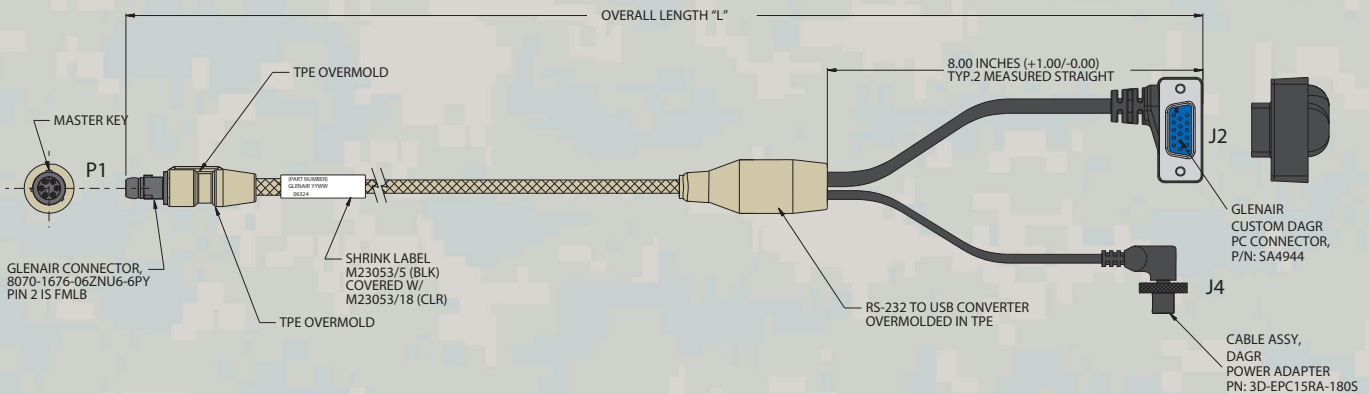
### HOW TO ORDER

<b>Sample Part Number:</b>	<b>808-040</b>	<b>-36</b>
Cable Series	DAGR GPS Cable	
Length Designator	In inches <b>Omit for default length of 32.00"</b>	



QUALIFIED FOR USE WITH ALL STAR-PAN POWER / DATA HUBS  
**LIGHT, II, IV, AND VI**

HUB PORT DESIGNATOR:  
**PAN**





BATTLE-TESTED

# STAR-PAN™

## Video downlink, GPS, and auxiliary device cables 808-045 TacROVER-P SIR 2.0 Cable



VIDEO / GPS AND AUXILIARY CABLES



TacROVER-P SIR 2.0 Cable

### SPECIFICATIONS

- For interconnection of C4ISR peripheral to STAR-PAN power / data hubs
- Integrated Ethernet to USB conversion circuitry
- Nomex® braid, olive drab and TPE jacketed cable, black
- Overmolded, ergonomic connector strain reliefs.
- Mighty Mouse 807 (NATO standard) and 803 (bayonet-lock) connectors.
- Weight, 32" cable: 104g
- Export classification: 3A611.x

### HOW TO ORDER

<b>Sample Part Number:</b>	<b>808-045</b>	<b>-36</b>
<b>Cable Series</b>	TacROVER-P SIR 2.0 Cable	
<b>Length Designator</b>	In inches <b>Omit for default length of 32.00"</b>	

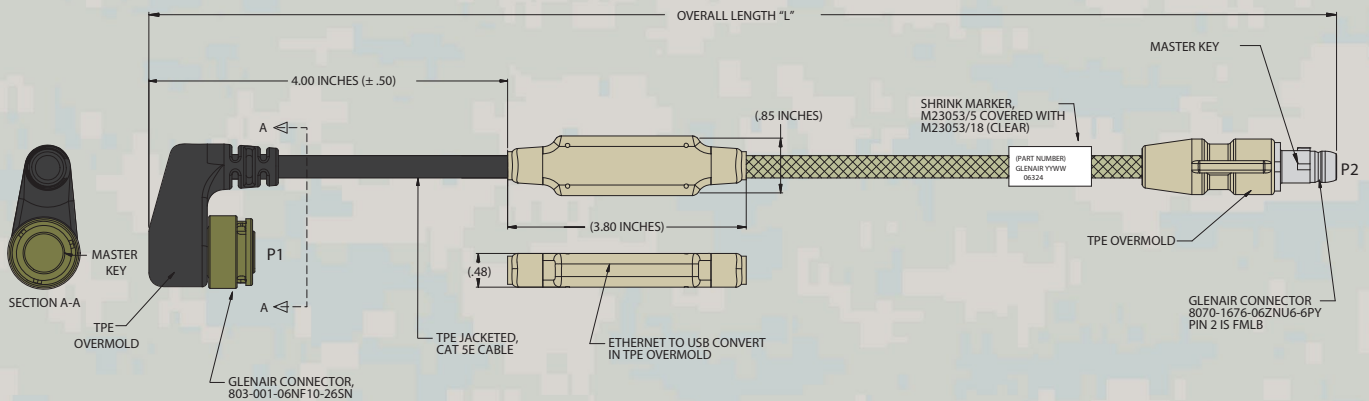


QUALIFIED FOR USE WITH ALL STAR-PAN POWER / DATA HUBS

**LIGHT, II, IV, AND VI**

HUB PORT DESIGNATOR:

**PAN**



BATTLE-TESTED

# STAR-PAN™

Video downlink, GPS, and auxiliary device cables

## 808-068 TacROVER-P SIR 2.5 Cable



VIDEO / GPS AND AUXILIARY CABLES



TacROVER-P and -e SIR 2.5 Cable

### SPECIFICATIONS

- For interconnection of C4ISR peripheral to STAR-PAN power / data hubs
- Nomex® braided cable, olive drab
- Overmolded, ergonomic connector strain reliefs, desert tan.
- Mighty Mouse 807 (NATO standard) connectors and P2 peripheral device connector
- Weight, 6" cable: (consult factory)
- Export classification: 3A611.x

### HOW TO ORDER

<b>Sample Part Number:</b>	<b>808-068</b>	<b>-8</b>
Cable Series	TacROVER-E SIR 2.5 Cable	
Length Designator	In inches. 6.00" minimum	

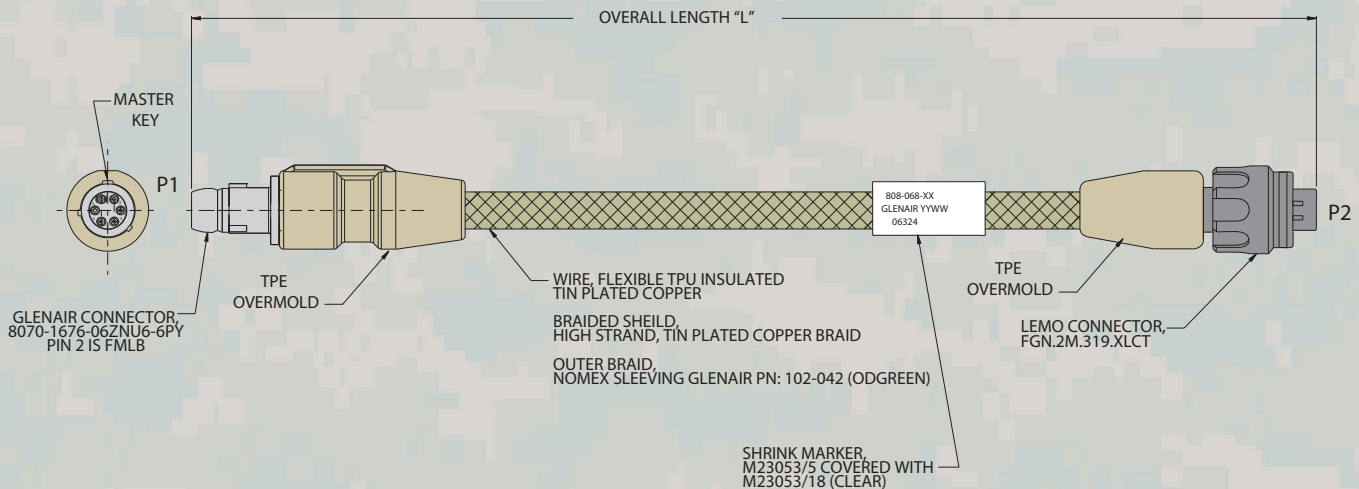


QUALIFIED FOR USE WITH ALL STAR-PAN POWER / DATA HUBS

**LIGHT, II, IV, AND VI**

HUB PORT DESIGNATOR:

**PAN**



BATTLE-TESTED

# STAR-PAN™

## Video downlink, GPS, and auxiliary device cables 808-043 TacROVER-P SIR 2.5 Video Cable



VIDEO / GPS AND AUXILIARY CABLES



**TacROVER-P and -e SIR 2.5 Cable**

### SPECIFICATIONS

- For interconnection of C4ISR peripheral to STAR-PAN power / data hubs
- Nomex® braid, olive drab
- Overmolded, ergonomic connector strain reliefs, desert tan.
- Mighty Mouse 807 (NATO standard) connectors and P2 peripheral device connector
- Weight, 24" cable: 70g
- Export classification: 3A611.x

### HOW TO ORDER

<b>Sample Part Number:</b>	<b>808-043</b>	<b>-36</b>
Cable Series	TacROVER-P and -e SIR 2.5 Cable	
Length Designator	In inches	<b>Omit for default length of 24.00"</b>

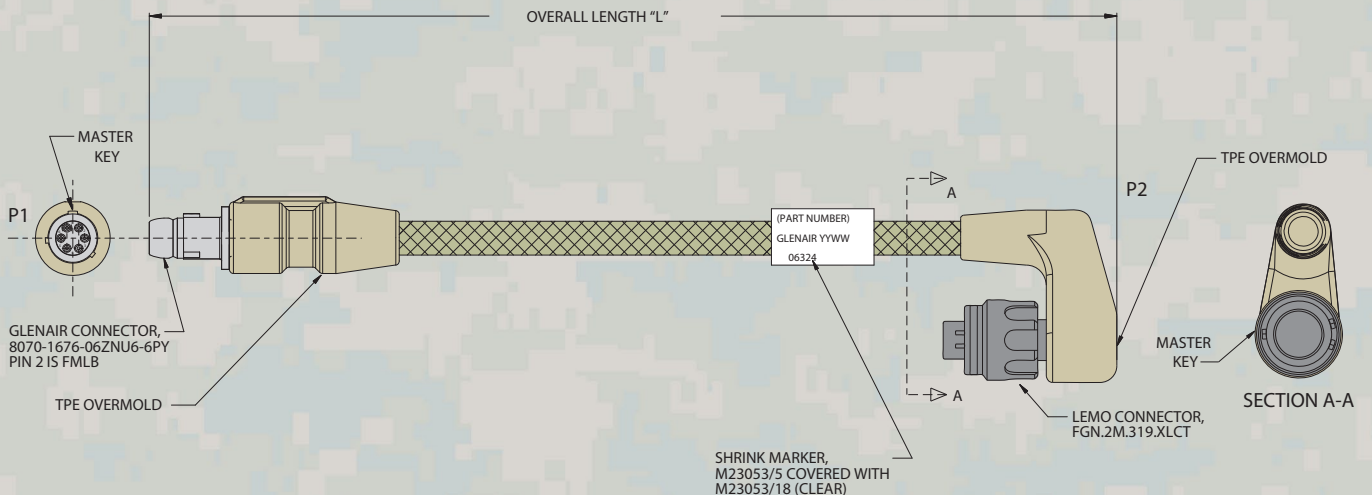


QUALIFIED FOR USE WITH ALL STAR-PAN POWER / DATA HUBS

**LIGHT, II, IV, AND VI**

HUB PORT DESIGNATOR:

**PAN**



BATTLE-TESTED

# STAR-PAN™

## Video downlink, GPS, and auxiliary device cables

### 808-082 TacROVER-E SIR 2.5 Cable



VIDEO / GPS AND AUXILIARY CABLES



TacROVER-E SIR 2.5 Cable

#### SPECIFICATIONS

- For interconnection of C4ISR peripheral to STAR-PAN power / data hubs
- Integrated Ethernet to USB conversion circuitry
- Nomex® braid, olive drab and Santoprene jacketed cable, black
- Overmolded, ergonomic connector strain reliefs.
- Mighty Mouse 807 (NATO standard) connectors and P2 peripheral device connector
- Weight, 33" cable: (consult factory)
- Export classification: 3A611.x

#### HOW TO ORDER

<b>Sample Part Number:</b>	<b>808-082</b>	<b>-U</b>	<b>-40</b>
Cable Series	TacROVER-P SIR 2.5 Cable		
P2 Bend Option	<b>U</b> = "U" Bend, P2 Connector Side <b>Omit</b> for straight cable		
Length Designator	In inches <b>Omit for default length of 33.00"</b>		

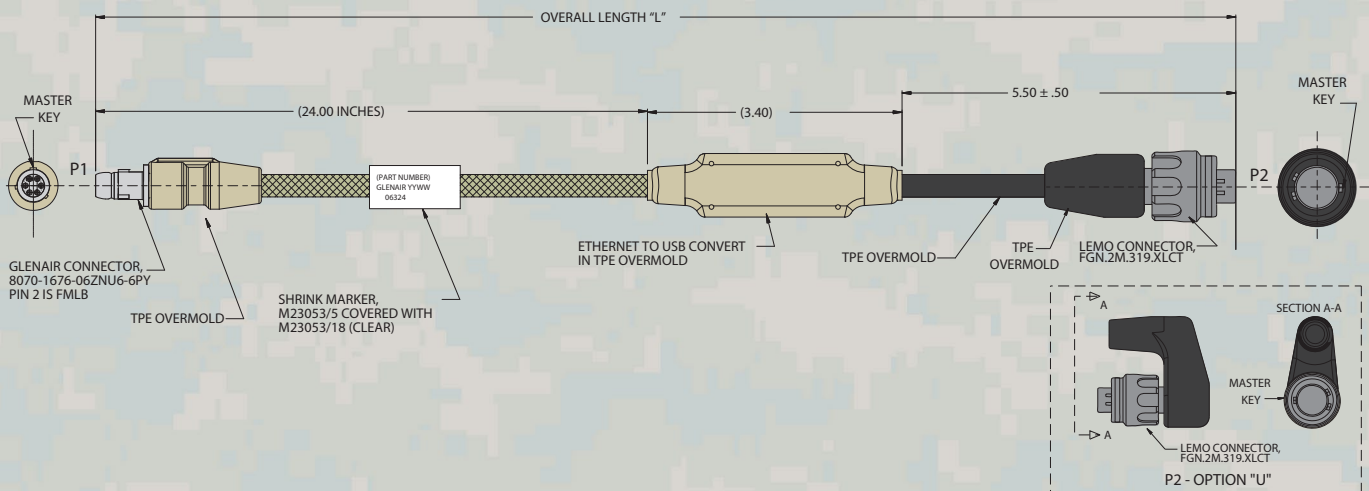


QUALIFIED FOR USE WITH ALL STAR-PAN POWER / DATA HUBS

**LIGHT, II, IV, AND VI**

HUB PORT DESIGNATOR:

**PAN**





BATTLE-TESTED

# STAR-PAN™

Video downlink, GPS, and auxiliary device cables  
808-067 TacROVER-P SIR 2.5 Cable



VIDEO / GPS AND AUXILIARY CABLES



TacROVER-P SIR 2.5 Cable

## SPECIFICATIONS

- For interconnection of C4ISR peripheral to STAR-PAN power / data hubs
- Integrated Ethernet to USB conversion circuitry
- Provides power to device
- Nomex® braid, olive drab and Santoprene jacketed cable, black
- Overmolded, ergonomic connector strain reliefs.
- Mighty Mouse 807 (NATO standard) connectors and P2 peripheral device connector
- Weight, 33" cable: 106g
- Export classification: 3A611.x

## HOW TO ORDER

<b>Sample Part Number:</b>	<b>808-067</b>	<b>-U</b>	<b>-40</b>
Cable Series	TacROVER-P SIR 2.5 Cable		
P2 Bend Option	<b>U</b> = "U" Bend, P2 Connector Side <b>Omit</b> for straight cable		
Length Designator	In inches <b>Omit for default length of 33.00"</b>		

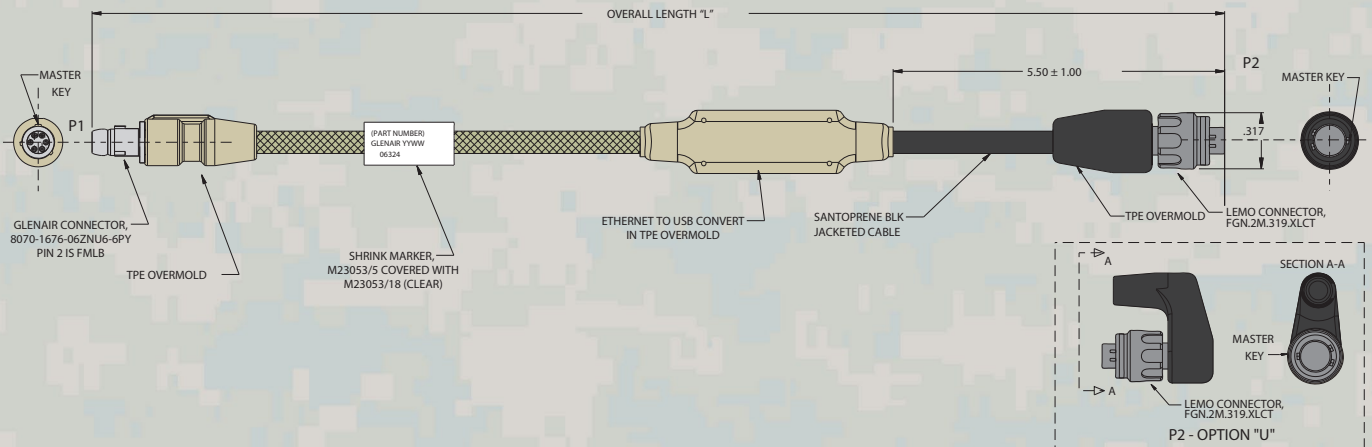


QUALIFIED FOR USE WITH ALL STAR-PAN POWER / DATA HUBS

**LIGHT, II, IV, AND VI**

HUB PORT DESIGNATOR:

**PAN**



BATTLE-TESTED

# STAR-PAN™

Video downlink, GPS, and auxiliary device cables  
 TS8-463-U TacROVER-E SIR 2.5 Cable (“U” Bend)



VIDEO / GPS AND AUXILIARY CABLES



TacROVER-E SIR 2.5 Cable,  
 “U” bend

## SPECIFICATIONS

- For interconnection of C4ISR peripheral to STAR-PAN power / data hubs
- Integrated Ethernet to USB conversion circuitry
- Provides power to device
- Santoprene jacketed cable, black
- Overmolded, ergonomic connector strain reliefs.
- Mighty Mouse 807 (NATO standard) connectors and P3 peripheral device connector
- Export classification: ECCN 3A611.x

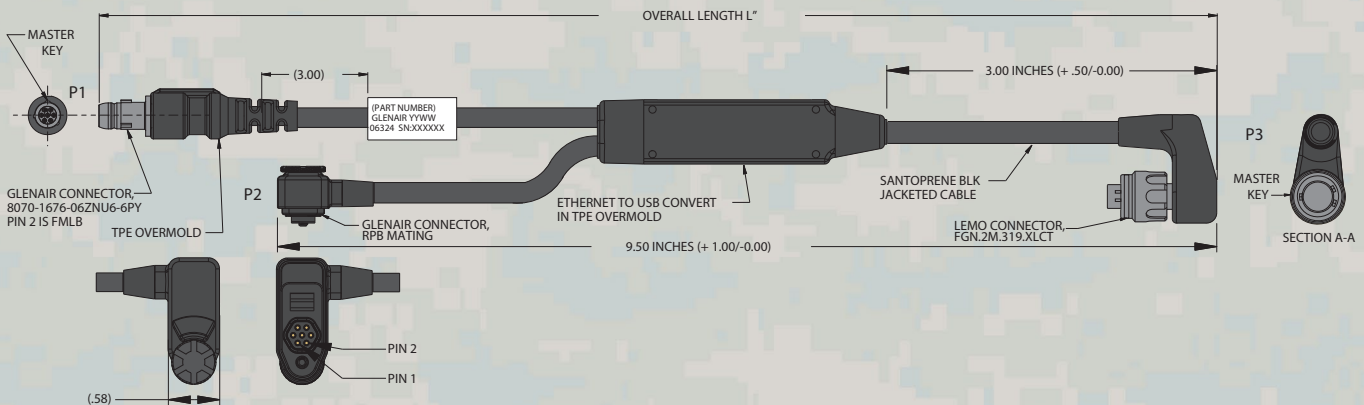
## HOW TO ORDER

<b>Sample Part Number:</b>	<b>TS8-463</b>	<b>-U</b>	<b>-30</b>
Cable Series	TacROVER-E SIR 2.5 with RPB Option		
P2 Bend Option	-U = “U” Bend, P2 Connector Side		
Length Designator	In inches Omit for default length of 20.00"		



QUALIFIED FOR USE WITH ALL STAR-PAN POWER / DATA HUBS  
 LIGHT, II, IV, AND VI

HUB PORT DESIGNATOR:  
**PAN**





BATTLE-TESTED

# STAR-PAN™

Video downlink, GPS, and auxiliary device cables  
808-152 TacROVER-P SIR 2.5 with TAC-EYE Cable



VIDEO / GPS AND AUXILIARY CABLES



TacROVER-P SIR 2.5 with TAC-EYE Cable

## SPECIFICATIONS

- For interconnection of C4ISR peripheral to STAR-PAN power / data hubs
- Integrated Ethernet to USB conversion circuitry
- Provides power to device
- Nomex® braid, olive drab and Santoprene jacketed cable, black
- Overmolded, ergonomic connector strain reliefs, desert tan.
- Mighty Mouse 807 (NATO standard) connectors and P2 peripheral device connector
- Weight, 24" cable: 108g
- Export classification: ECCN 3A611.x
- Composite video to TAC-EYE

## HOW TO ORDER

<b>Sample Part Number:</b>	<b>808-152</b>	<b>-U</b>	<b>-30</b>
Cable Series	TacROVER-P SIR 2.5 with TAC-EYE Cable		
P2 Bend Option	<b>U</b> = "U" Bend, P2 Connector Side <b>Omit</b> for straight cable		
Length Designator	In inches <b>Omit for default length of 24.00"</b>		

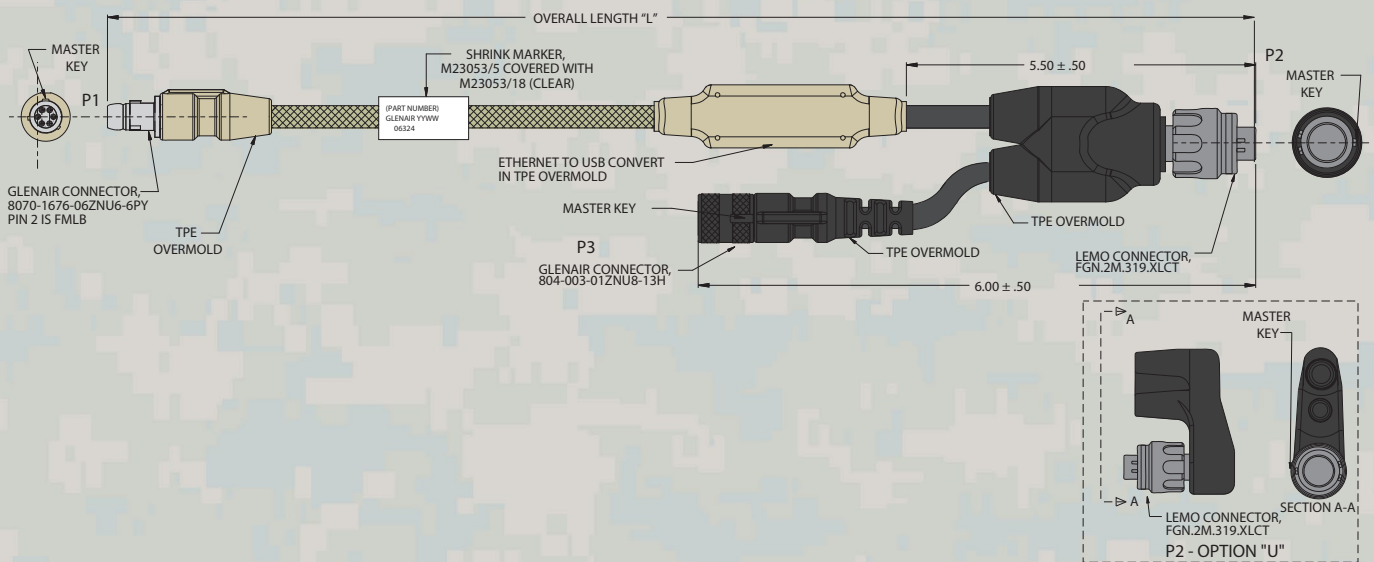


QUALIFIED FOR USE WITH ALL STAR-PAN POWER / DATA HUBS

**LIGHT, II, IV, AND VI**

HUB PORT DESIGNATOR:

**PAN**



BATTLE-TESTED

# STAR-PAN™

## Video downlink, GPS, and auxiliary device cables 808-151 Tactical Net Rover Cable



VIDEO / GPS AND AUXILIARY CABLES



**Tactical Net Rover (TNR)  
Cable**

### SPECIFICATIONS

- For interconnection of C4ISR peripheral to STAR-PAN power / data hubs
- Integrated Ethernet to USB conversion circuitry
- Nomex® braid, olive drab and Santoprene jacketed cable, black
- Overmolded, ergonomic connector strain reliefs, desert tan.
- Aluminum housing, black zinc-nickel finish
- Black stainless steel thumbscrew
- Mighty Mouse 807 (NATO standard) connectors.
- Weight, 24" cable: 112g
- Export classification: ECCN 3A611.x
- With Radio Power Boost (RPB)

### HOW TO ORDER

<b>Sample Part Number:</b>	<b>808-151</b>	<b>-28</b>
Cable Series	TNR Cable with RPB Option	
Length Designator	In inches <b>Omit for default length of 24.00"</b>	



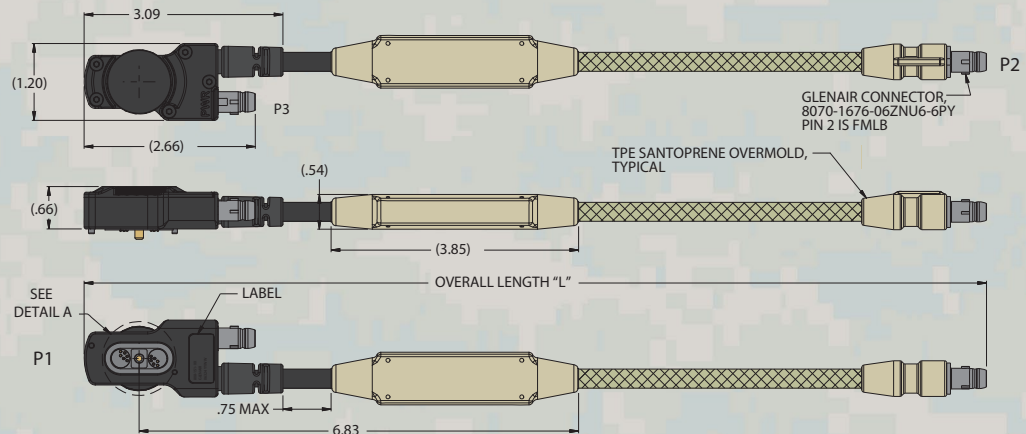
QUALIFIED FOR USE WITH ALL STAR-PAN POWER / DATA HUBS

**LIGHT, II, IV, AND VI**

HUB PORT DESIGNATOR:

**PAN**

**RADIO POWER BOOST**



BATTLE-TESTED

# STAR-PAN™

Video downlink, GPS, and auxiliary device cables

## TS8-404 Tactical Net Rover cable with RPB and TAC-EYE Adapter



**Tactical Net Rover (TNR)  
Cable with RPB and TAC-EYE  
Adapter**

### SPECIFICATIONS

- For interconnection of C4ISR peripheral to STAR-PAN power / data hubs
- Integrated Ethernet to USB conversion circuitry
- Santoprene jacketed cable, black
- Overmolded, ergonomic connector strain reliefs, black.
- Aluminum housing, black zinc-nickel finish
- Black stainless steel thumbscrew
- Mighty Mouse 807 (NATO standard) connectors.
- Weight, 24" cable, (consult factory)
- Export classification: ECCN 3A611.x

### HOW TO ORDER

<b>Sample Part Number:</b>	<b>TS8-404</b>	<b>-28</b>
Cable Series	TNR Cable with RPB Option	
Length Designator	In inches <b>Omit for default length of 24.00"</b>	



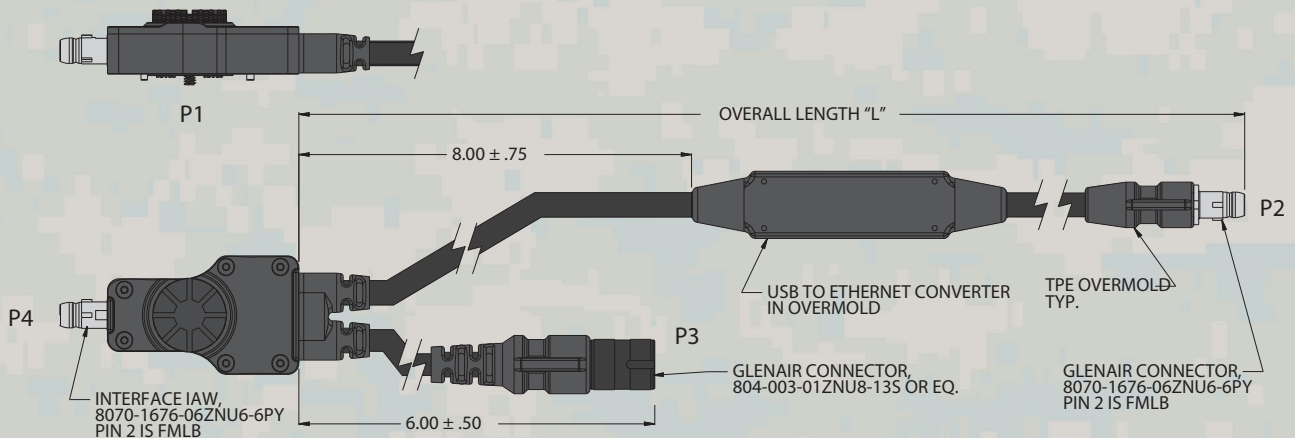
QUALIFIED FOR USE WITH ALL STAR-PAN POWER / DATA HUBS

**LIGHT, II, IV, AND VI**

HUB PORT DESIGNATOR:

**PAN**

**RADIO POWER BOOST**



VIDEO / GPS AND AUXILIARY CABLES



BATTLE-TESTED

# STAR-PAN™

Video downlink, GPS, and auxiliary device cables

808-171 Tactical Net Rover cable, 6-6 Plug with Thru Power



VIDEO / GPS AND AUXILIARY CABLES



**Tactical Net Rover (TNR)  
Cable with Thru Power**

## SPECIFICATIONS

- For interconnection of C4ISR peripheral to STAR-PAN power / data hubs
- Integrated Ethernet to USB conversion circuitry
- Nomex® braid, olive drab and Santoprene jacketed cable, black
- Overmolded, ergonomic connector strain reliefs, desert tan.
- Aluminum housing, black zinc-nickel finish
- Black stainless steel thumbscrew
- Mighty Mouse 807 (NATO standard) connectors.
- Weight, 24" cable: 112g
- Export classification: ECCN 3A611.x
- With Thru Power

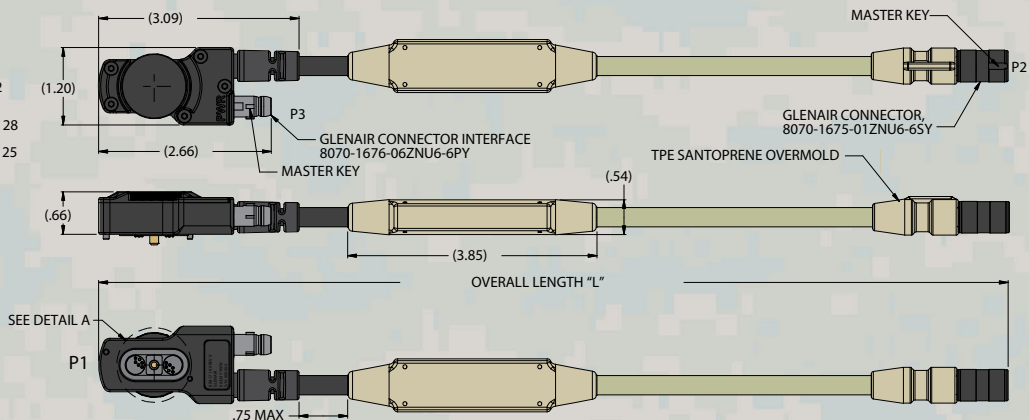
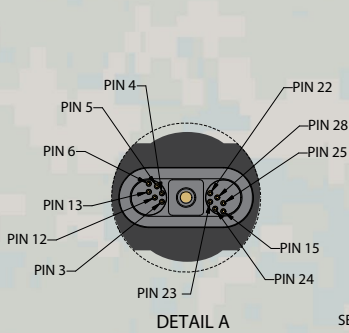
## HOW TO ORDER

<b>Sample Part Number:</b>	<b>808-171</b>	<b>-28</b>
<b>Cable Series</b>	TNR Cable, RPB Required for Use	
<b>Length Designator</b>	In inches <b>Omit for default length of 24.00"</b>	



QUALIFIED FOR USE WITH ALL STAR-PAN POWER / DATA HUBS  
**LIGHT, II, IV, AND VI**

HUB PORT DESIGNATOR:  
**RADIO**



BATTLE-TESTED  
**STAR-PAN™**

Video downlink, GPS, and auxiliary device cables

TS1-037 cable for use with 808-151, 808-171, TS8-404 TNR cables



VIDEO / GPS AND AUXILIARY CABLES



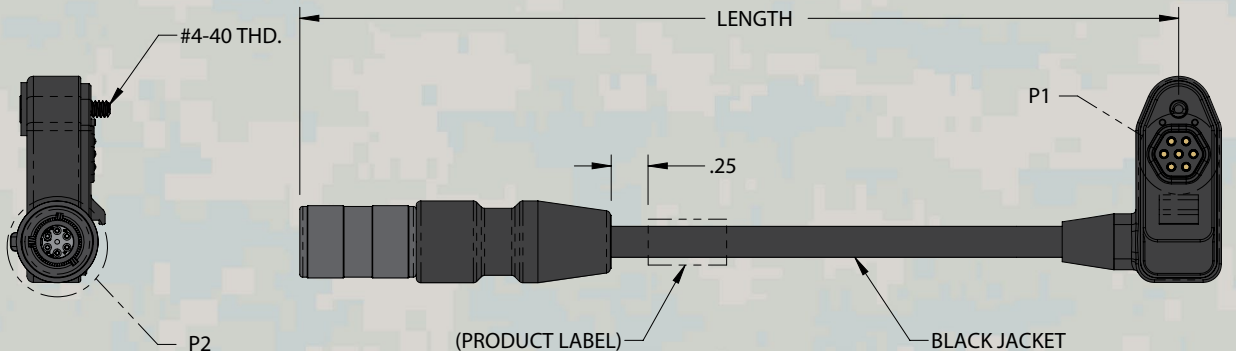
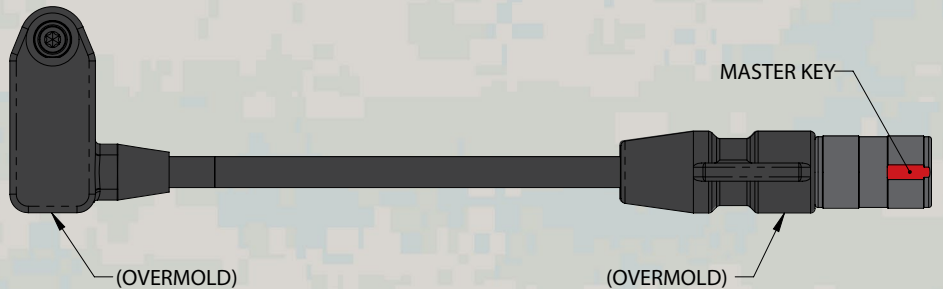
**SPECIFICATIONS**

- For interconnection of 808-151 and TS8-404 TNR cables
- Santoprene jacketed cable, black
- Overmolded, ergonomic connector strain reliefs, black.
- Aluminum housing, black zinc-nickel finish
- Black stainless steel thumbscrew
- Mighty Mouse 807 (NATO standard) connector.

**808-151 and TS8-404  
connector cable**

**HOW TO ORDER**

<b>Sample Part Number:</b>		<b>TS1-037</b>	<b>-4</b>
Cable Series	Adapter cable for TNR cables		
Length Designator	In inches <b>Default length is 5.50".</b> <b>Use -4 for optimized compatibility with TNR cables</b>		



BATTLE-TESTED

STAR-PAN™

Video downlink, GPS, and auxiliary device cables  
808-224 StrikeHawk Digital Cable



VIDEO / GPS AND AUXILIARY CABLES



StrikeHawk Digital Cable

SPECIFICATIONS

- For interconnection of C4ISR peripheral to STAR-PAN power / data hubs
- Integrated Ethernet to USB conversion circuitry
- Nomex® braid, olive drab and Santoprene jacketed cable, black
- Overmolded, ergonomic connector strain reliefs, desert tan.
- Mighty Mouse 807 (NATO standard) connector and P2 peripheral device connector.
- Weight, 24" cable: 100g
- Export classification: ECCN 3A611.x

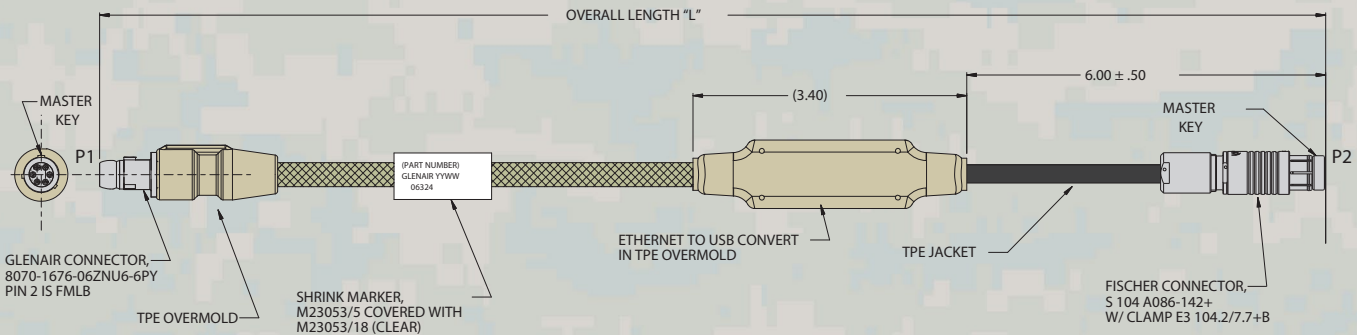
HOW TO ORDER

<b>Sample Part Number:</b>	<b>808-224</b>	<b>-28</b>
Cable Series	StrikeHawk Digital cable	
Length Designator	In inches <b>Omit for default length of 24.00"</b>	



QUALIFIED FOR USE WITH ALL STAR-PAN POWER / DATA HUBS  
LIGHT, II, IV, AND VI

HUB PORT DESIGNATOR:  
**PAN**





BATTLE-TESTED

# STAR-PAN™

Video downlink, GPS, and auxiliary device cables

## TS8-424 Remote Secure Receiver-to-PAN Port Cable



VIDEO / GPS AND AUXILIARY CABLES



RSR-to-PAN Cable

### SPECIFICATIONS

- For interconnection of C4ISR peripheral to STAR-PAN power / data hubs
- Santoprene jacketed cable, black
- Overmolded, ergonomic connector strain reliefs, black.
- Mighty Mouse 807 (NATO standard) connector and P1 RSR peripheral connectors
- Weight, 30" cable, (consult factory)
- Export classification: ECCN 3A611.x

### HOW TO ORDER

<b>Sample Part Number:</b>	<b>TS8-424</b>	<b>-40</b>
Cable Series	Remote Secure Receiver to PAN Port cable	
Length Designator	In inches. Minimum length 24", maximum 180" <b>Omit for default length of 30.00"</b>	

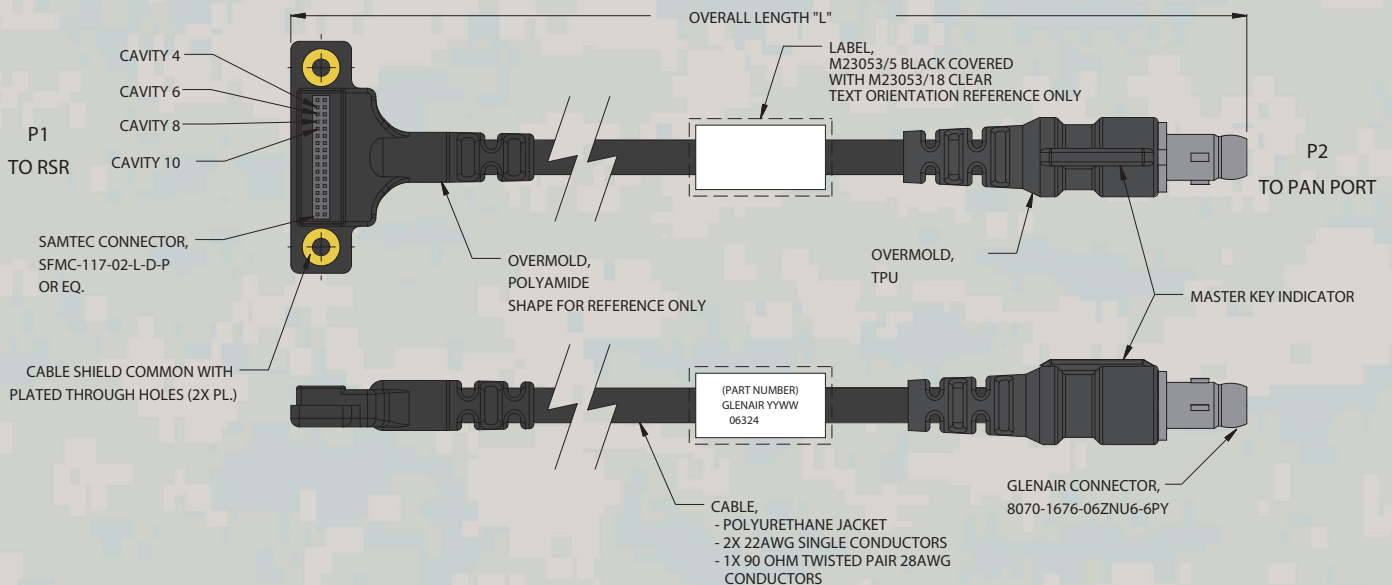


QUALIFIED FOR USE WITH ALL STAR-PAN POWER / DATA HUBS

**LIGHT, II, IV, AND VI**

HUB PORT DESIGNATOR:

**PAN**



BATTLE-TESTED

# STAR-PAN™

Video downlink, GPS, and auxiliary device cables

TS8-467 Teledyne FLIR BH3 Hangar cable, power and data



VIDEO / GPS AND AUXILIARY CABLES



Teledyne FLIR Black Hornet® PRS hangar cable

## SPECIFICATIONS

- For interconnection of C4ISR peripheral to STAR-PAN power / data hubs
- Integrated Ethernet to USB conversion circuitry
- Santoprene jacketed cable, black
- Overmolded, ergonomic connector strain reliefs, black.
- Aluminum housing, black zinc-nickel finish
- Black stainless steel thumbscrew
- Mighty Mouse 807 (NATO standard) connector and P1/P2 peripheral connectors
- Weight, 34" cable, (consult factory)
- Export classification: ECCN 3A611.x

## HOW TO ORDER

<b>Sample Part Number:</b>	<b>TS8-467</b>	<b>-24</b>
Cable Series	Teledyne FLIR BH3 Hangar cable	
Length Designator	In inches <b>Omit for default length of 34.00"</b>	

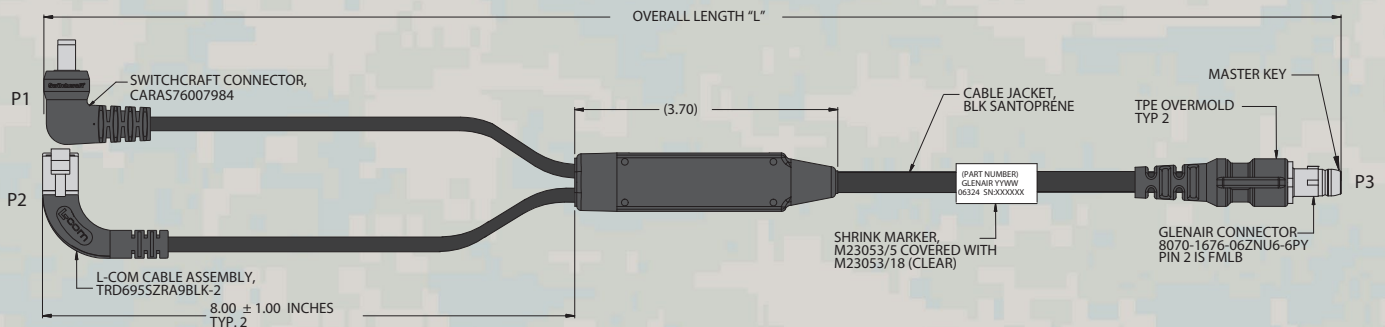


QUALIFIED FOR USE WITH ALL STAR-PAN POWER / DATA HUBS

**LIGHT, II, IV, AND VI**

HUB PORT DESIGNATOR:

**PAN**



BATTLE-TESTED

# STAR-PAN™

Video downlink, GPS, and auxiliary device cables  
TS3-072 MOHOC IP Camera Cable



VIDEO / GPS AND AUXILIARY CABLES

## SPECIFICATIONS

- For interconnection of C4ISR peripheral to STAR-PAN power / data hubs
- TPE jacketed cable, black
- Overmolded, ergonomic connector strain reliefs, black.
- Mighty Mouse 807 (NATO standard) connectors
- Weight, 24" cable, (consult factory)
- Export classification: ECCN 3A611.x

## HOW TO ORDER

<b>Sample Part Number:</b>	<b>TS3-072</b>	<b>-18</b>
Cable Series	Remote Secure Receiver to PAN Port cable	
Length Designator	In inches. <b>Omit for default length of 24.00"</b>	



QUALIFIED FOR USE WITH ALL STAR-PAN POWER / DATA HUBS

**LIGHT, II, IV, AND VI**

HUB PORT DESIGNATOR:

**PAN**

