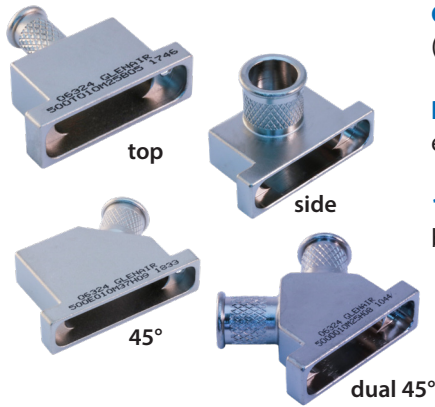


SPACE-GRADE MICRO-D BACKSHELLS

Lightweight EMI/RFI Banding Backshell



Solid shell, round cable entry
Top, side, 45°, and dual 45° entry options - 500-010



Glenair's Most Popular Micro-D Backshell is stocked in all sizes. Choose straight (top), side, 45°, or dual 45° cable entry.

Rugged One-Piece Aluminum Shell with stainless steel hardware, available in electroless nickel or gold plating.

17-7PH Stainless Steel Clips attach the backshell to the connector. These backshells accept standard and micro Band-Master ATS® shield termination straps.

| How To Order EMI/RFI Backshells | | | | | |
|---|---|--|---|------------------------------------|----------------------------------|
| Sample Part Number | 500T010 | | M | 25 | H 08 S |
| Series | 500T010 - Top Entry 500E010 - 45° Entry | 500S010 - Side Entry 500D010 - Dual 45° | (See Table III) | | |
| Shell Finish | M - Electroless Nickel Z2 - Gold | | | | |
| Shell Size | 09, 15, 21, 25, 31, 37, 51, 51-2, 67, 69, 100 (See Table III) | | | | |
| Hardware Option | Screwlocks B - (2) Fillister Head Screwlocks H - (2) Hex Head Screwlock E - (2) Extended Screwlock (styles T and S only) F - (2) Jackpost, Female N - No Hardware | | Jackscrews BJ - (2) Male Fillister Head Jackscrew HJ - (2) Hex Socket Jackscrew EJ - Extended Jackscrew (styles T and S only) Mixed FB - (1) Female Jackpost, (1) Male Fillister Head FH - (1) Female Jackpost, (1) Male Hex Socket | | |
| Cable Entry Code | 04 - .125 (3.2) 09 - .281 (7.1) | 05 - .156 (4.0) 10 - .312 (7.9) | 06 - .188 (4.8) 11 - .344 (8.7) | 07 - .219 (5.6) 12 - .375 (9.5) | 08 - .250 (6.4) (See Table I) |
| Qwik-Ty Option | S - with Qwik-Ty strain relief Omit for none | | | | |
| Band-Master ATS® EMI Band Strap Option | Omit (Leave Blank) - Band Not Included | | Standard Band - .250" Wide B - Uncoiled Band Included K - Coiled Band Included Micro Band - .125" Wide M - Uncoiled Band Included L - Coiled Band Included | | |

| Shell Size | Style E | Style D | Style S | Style T |
|------------|---------|---------|---------|---------|
| 9 | 08 | 06 | 09 | 09 |
| 15 | 08 | 08 | 12 | 10 |
| 21 | 08 | 08 | 12 | 10 |
| 25 | 08 | 08 | 12 | 10 |
| 31 | 09 | 09 | 12 | 10 |
| 37 | 09 | 09 | 12 | 10 |
| 51 | 10 | 10 | 12 | 10 |
| 51-2 | 09 | 09 | 12 | 10 |
| 67 | 09 | 09 | 12 | 10 |
| 69 | 10 | 10 | 12 | 10 |
| 75 | 10 | 10 | 12 | 10 |
| 100 | 12 | 12 | 12 | 12 |
| 130 | 12 | 12 | 12 | 12 |

| Cable Size | P ±.015 | | R Dia. Max | |
|------------|------------|------------|------------|------|
| | In. ± .015 | mm. ± 0.38 | In. | mm. |
| 04 | .125 | 3.2 | .296 | 7.5 |
| 05 | .156 | 4.0 | .327 | 8.3 |
| 06 | .188 | 4.8 | .359 | 9.1 |
| 07 | .219 | 5.6 | .390 | 9.9 |
| 08 | .250 | 6.4 | .421 | 10.7 |
| 09 | .281 | 7.1 | .452 | 11.5 |
| 10 | .312 | 7.9 | .484 | 12.3 |
| 11 | .344 | 8.7 | .515 | 13.1 |
| 12 | .375 | 9.5 | .546 | 13.7 |

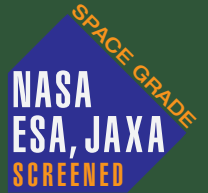
MATERIALS/FINISH

Backshell: Aluminum alloy
Hardware: CRES / passivated

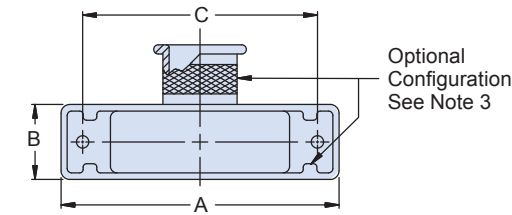
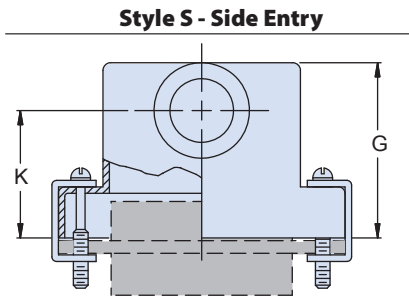
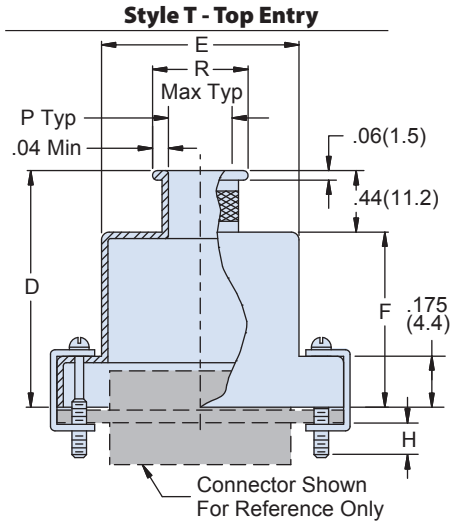
Lightweight EMI/RFI Banding Backshell

Solid shell, round cable entry

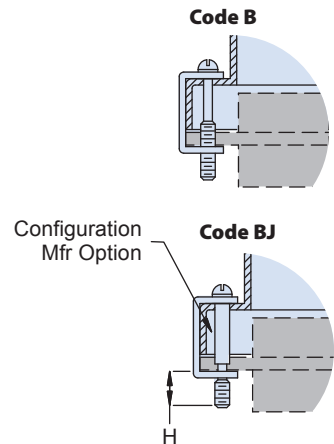
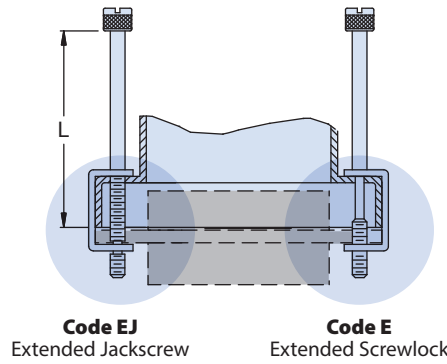
Top, side, 45°, and dual 45° entry options · 500-010



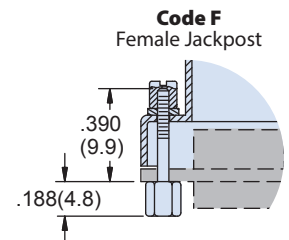
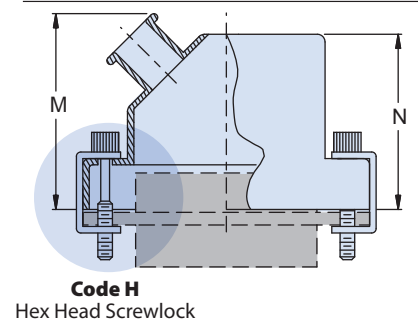
MICRO-D



Available for Style T and S Only



Style E - 45° Entry



Style D - 45° Dual Entry

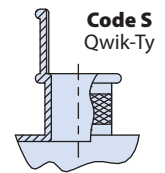
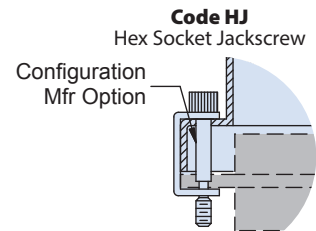
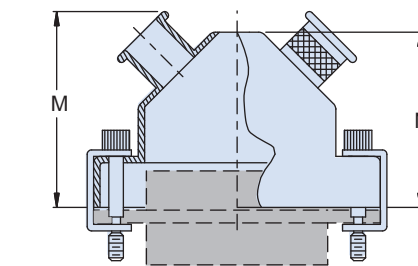


Table III: Dimensions

| Size | A Max. | | B Max. | | C | | D Max. | | E Max. | | F Max. | | G Max. | | H Ref | J Thread | K | | L Max. | | M Max. | | N Max. | | |
|------|--------|-------|--------|-------|-------|-------|--------|-------|--------|-------|--------|-------|--------|-------|-------|----------|------------|------|--------|-------|--------|-------|--------|-------|-------|
| | In. | mm. | In. | mm. | In. | mm. | In. | mm. | In. | mm. | In. | mm. | In. | mm. | | | In. | mm. | In. | mm. | In. | mm. | In. | mm. | In. |
| 09 | .850 | 21.59 | .370 | 9.40 | .565 | 14.35 | .780 | 19.81 | .410 | 10.41 | .350 | 8.89 | .637 | 16.18 | .154 | 3.9 | 2-56 UNC-2 | .435 | 11.05 | 1.040 | 26.42 | 1.000 | 25.40 | .680 | 17.27 |
| 15 | 1.000 | 25.40 | .370 | 9.40 | .715 | 18.16 | .910 | 23.11 | .580 | 14.73 | .470 | 11.94 | .673 | 17.09 | .154 | 3.9 | 2-56 UNC-2 | .440 | 11.2 | 1.170 | 29.72 | 1.030 | 26.16 | .730 | 18.54 |
| 21 | 1.150 | 29.21 | .370 | 9.40 | .865 | 21.97 | 1.030 | 26.16 | .740 | 18.80 | .590 | 14.99 | .707 | 17.95 | .154 | 3.9 | 2-56 UNC-2 | .458 | 11.63 | 1.290 | 32.77 | 1.050 | 26.67 | .765 | 19.43 |
| 25 | 1.250 | 31.75 | .370 | 9.40 | .965 | 24.51 | 1.090 | 27.69 | .850 | 21.59 | .650 | 16.51 | .748 | 19.00 | .154 | 3.9 | 2-56 UNC-2 | .483 | 12.27 | 1.350 | 34.29 | 1.090 | 27.69 | .830 | 21.08 |
| 31 | 1.400 | 35.56 | .370 | 9.40 | 1.115 | 28.32 | 1.150 | 29.21 | .980 | 24.89 | .710 | 18.03 | .756 | 19.20 | .154 | 3.9 | 2-56 UNC-2 | .476 | 12.09 | 1.420 | 36.07 | 1.130 | 28.70 | .890 | 22.61 |
| 37 | 1.550 | 39.37 | .370 | 9.40 | 1.265 | 32.13 | 1.190 | 30.23 | 1.130 | 28.70 | .750 | 19.05 | .774 | 19.66 | .154 | 3.9 | 2-56 UNC-2 | .478 | 12.14 | 1.450 | 36.83 | 1.230 | 31.24 | .955 | 24.26 |
| 51 | 1.500 | 38.10 | .410 | 10.41 | 1.215 | 30.86 | 1.220 | 30.99 | 1.080 | 27.43 | .780 | 19.81 | .859 | 21.82 | .154 | 3.9 | 2-56 UNC-2 | .548 | 13.91 | 1.480 | 37.59 | 1.250 | 31.75 | 1.005 | 25.53 |
| 51-2 | 1.910 | 48.51 | .370 | 9.40 | 1.615 | 41.02 | 1.220 | 30.99 | 1.510 | 38.35 | .780 | 19.81 | .859 | 21.82 | .154 | 3.9 | 2-56 UNC-2 | .548 | 13.91 | 1.480 | 37.59 | 1.250 | 31.75 | 1.005 | 25.53 |
| 67 | 2.310 | 58.67 | .370 | 9.40 | 2.015 | 51.18 | 1.220 | 30.99 | 1.880 | 47.75 | .780 | 19.81 | .859 | 21.82 | .154 | 3.9 | 2-56 UNC-2 | .548 | 13.91 | 1.480 | 37.59 | 1.250 | 31.75 | 1.005 | 25.53 |
| 69 | 1.810 | 45.97 | .410 | 10.41 | 1.515 | 38.48 | 1.220 | 30.99 | 1.380 | 35.05 | .780 | 19.81 | .859 | 21.82 | .154 | 3.9 | 2-56 UNC-2 | .548 | 13.91 | 1.480 | 37.59 | 1.250 | 31.75 | 1.005 | 25.53 |
| 75 | 2.140 | 54.36 | .410 | 10.41 | 1.705 | 43.31 | 1.220 | 30.99 | 1.375 | 34.93 | .780 | 19.81 | .859 | 21.82 | .184 | 4.7 | 4-40 UNC-2 | .548 | 13.91 | 1.480 | 37.59 | 1.250 | 31.75 | 1.005 | 25.53 |
| 100 | 2.235 | 56.77 | .460 | 11.68 | 1.800 | 45.72 | 1.280 | 32.51 | 1.470 | 37.34 | .840 | 21.34 | 1.014 | 25.76 | .184 | 4.7 | 4-40 UNC-2 | .687 | 17.45 | 1.580 | 40.13 | 1.320 | 33.53 | 1.080 | 27.43 |
| 130 | 2.595 | 65.92 | .460 | 11.68 | 2.160 | 54.86 | 1.280 | 32.51 | 1.830 | 46.48 | .840 | 21.34 | 1.014 | 25.76 | .184 | 4.7 | 4-40 UNC-2 | .687 | 17.45 | 1.580 | 40.13 | 1.320 | 33.53 | 1.080 | 27.43 |