

795-007S
 Panel-Mount Plug, Socket Contacts

- Size #12 Contacts
- All-Aluminum Body
- Three to Eleven Ports
- 40 GHz SMPM Coax
- Environmental
- Scoop-Proof



Size 8 contacts. 795-007 panel mount plugs accommodate from three to seventeen coax socket contacts. Environmentally protected with O-ring and rear grommet. Housing is 6061-T6 machined aluminum. Size 12 socket contact cavities have beryllium copper retention clips. Use with SMPM coax contacts (P/N 852-100, ordered separately).

PART NUMBER

	795-007S	12-1RF3	M	P	N
Base P/N	795-007S				
Arrangement No.	See Table 1 12-1RF3 3 contacts 12-1RF5 5 contacts 12-1RF6 6 contacts 12-2RF5 5 contacts, two row 12-2RF7 7 contacts, two row 12-2RF9 9 contacts, two row 12-2RF11 11 contacts, two row 12-2RF13 13 contacts, two row 12-2RF15 15 contacts, two row 12-2RF17 17 contacts, two row				
Finish	M Electroless Nickel MT Nickel-PTFE NF Olive Drab Cadmium TZ Tin-Zinc ZR Black Zinc-Nickel				
Jackpost	P Jackpost #8-32, Non-Removable N No Jackpost				
O-ring	P Fluorosilicone O-Ring C Conductive O-ring N No O-ring S Metal EMI Spring (non-environmental)				

CONSTRUCTION

- Shell: aluminum
- Grommet: fluorosilicone
- Jackscrew: SST, passivated
- Contact retainer clip: copper alloy, unplated

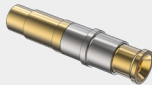
SPECIFICATIONS

- Operating temperature: -55 °C to +125 °C
- Shock: EIA-364-27 Condition D
- Vibration: EIA-364-28 Condition V Letter E
- Shell-to-shell resistance: 2.5 milliohms max. with ground spring option

COAX CONTACTS

Not included with 795-007 connector.
 Sold separately.

for Flexible Coax Cable



- See contacts reference page at the beginning of this section for compatible size #12 socket contacts

TABLE 2 HARDWARE OPTION

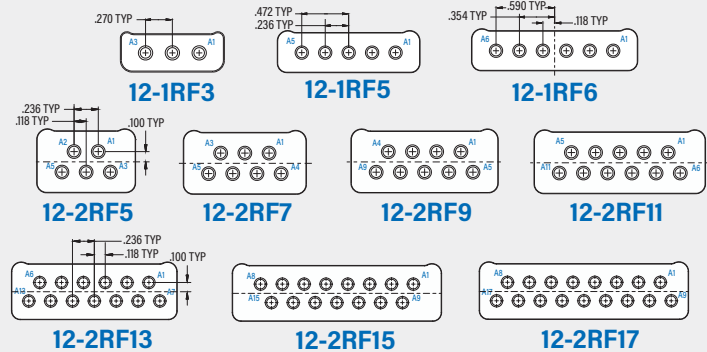
<p>N</p> <p>No Hardware, Thru Hole</p>	<p>P</p> <p>Jackpost With Nut And Split Washer, #8-32</p>
---	--

TABLE 1 ARRANGEMENT NUMBER

Optimized for Size #12 SMPM Contacts

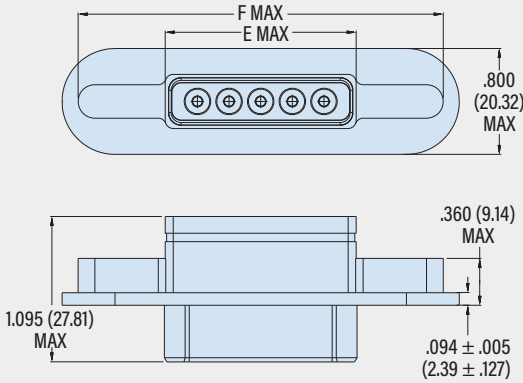
Cable Diameter: .142" Max

Max Frequency: 40 GHz

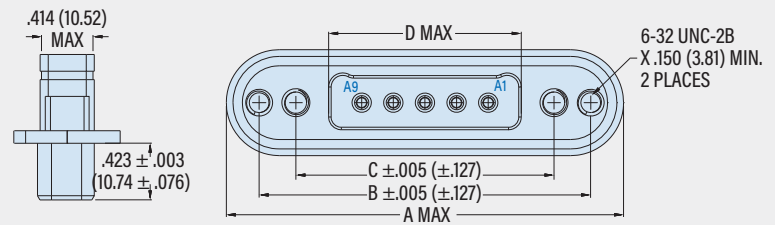


795-007S
 Panel-Mount Plug, Socket Contacts

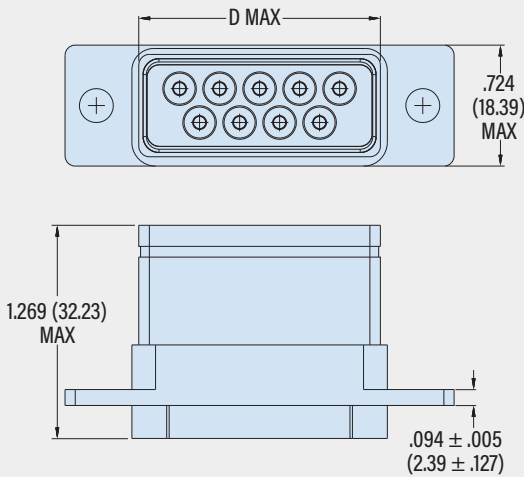
795-007S SINGLE ROW



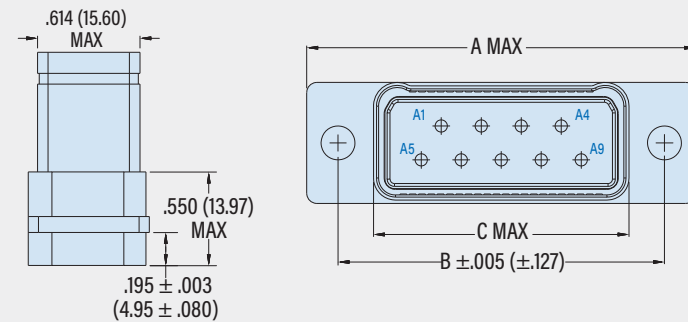
Arrangement Number	A Max		B ± .005 (0.13)		C ± .005 (0.13)		D Max		E Max		F Max	
	in	mm	in	mm	in	mm	in	mm	in	mm	in	mm
12-1RF3	2.569	65.25	2.069	52.55	1.521	38.63	1.057	26.85	1.072	27.23	2.329	59.15
12-1RF5	2.974	75.53	2.474	62.83	1.926	48.92	1.447	36.75	1.435	36.45	2.734	69.44
12-1RF6	3.209	81.50	2.709	68.80	2.161	54.88	1.683	42.75	1.671	42.44	2.969	75.41



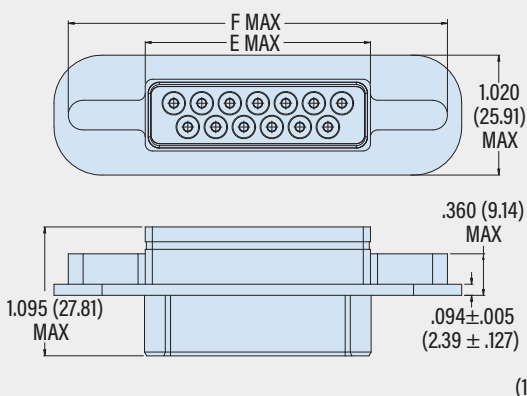
795-007S DUAL ROW



Arrangement Number	A Max		B ± .005 (0.13)		C ± .005 (0.13)		D Max		E Max		F Max	
	in	mm	in	mm	in	mm	in	mm	in	mm	in	mm
12-2RF5	2.499	63.47	1.999	50.77	1.451	36.85	0.975	24.76	0.963	24.46	2.259	57.37
12-2RF7	2.739	69.57	2.239	56.87	1.691	42.95	1.211	30.75	1.199	30.45	2.499	63.47
12-2RF9	2.974	75.53	2.474	62.83	1.926	48.92	1.447	36.75	1.435	36.44	2.734	69.44
12-2RF11	3.209	81.50	2.709	68.80	2.161	54.88	1.683	42.74	1.671	42.44	2.969	75.41



795-007S DUAL ROW



Arrangement Number	A Max		B ± .005 (0.13)		C ± .005 (0.13)		D Max		E Max		F Max	
	in	mm	in	mm	in	mm	in	mm	in	mm	in	mm
12-2RF13	3.444	87.47	2.944	74.77	2.396	60.85	1.919	48.74	1.907	48.43	3.204	81.38
12-2RF15	3.679	93.44	3.179	80.74	2.631	66.82	2.155	54.73	2.143	54.43	3.439	87.35
12-2RF17	3.919	99.54	3.419	86.84	2.871	72.92	2.391	60.73	2.379	60.42	3.679	93.44

