

GRF05-0002 50 Ohm BNC Series Socket Bulkhead Feedthrough Connector



HOW TO ORDER		
	Sample Part Number	GRF05-0002 Z1
Series	GRF05-0002 = GRF coax hermetic connector	
Finish	Z1 = Stainless steel / passivate ZL = Stainless steel / nickel	

MATERIAL AND FINISH

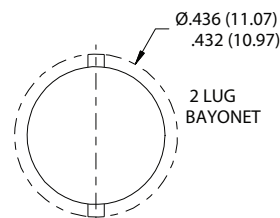
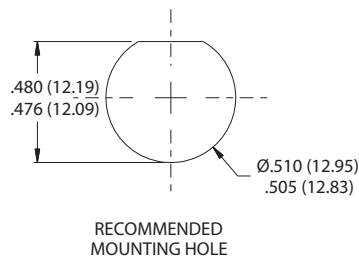
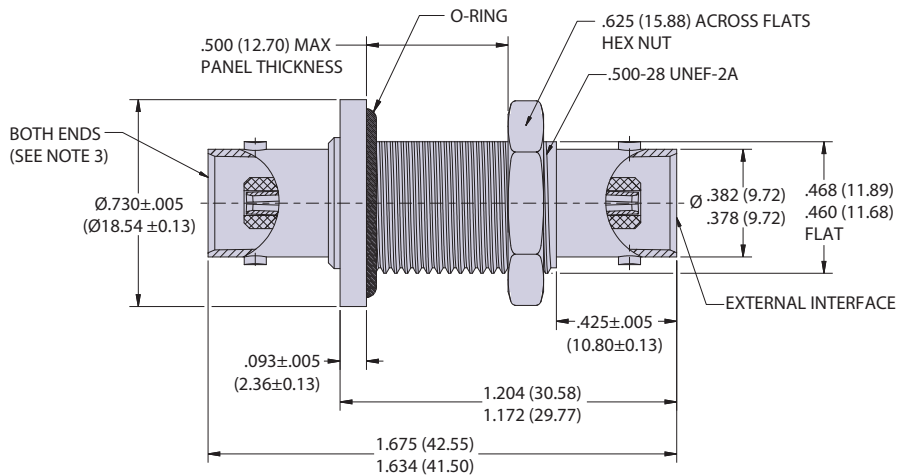
- Shells, jam nut, washer and plate: CRES
- Center pin contact (glass sealed section) Ni alloy/gold plated
- Center socket contact (mating ends) copper alloy/gold plated
- Insulators: fused vitreous glass, high grade rigid dielectric
- O-ring: fluorosilicone.

SPECIFICATIONS

- Meet applicable mechanical and environmental requirements per MIL-PRF-39012/92.
- Nominal impedance: 50 Ohms
- Frequency range: DC to 4 GHz
- Voltage rating: 335 VAC, sea level; 85 VAC, 70k feet.
- Operation temperature range: -65°C to +165°C
- Leak rate: 1 x 10⁻⁷ ccHe/s max, 1 ATM
- Connectors identified with manufacturer's name, part number, and date code space permitting.
- IR: Greater than 5000 MegOhms.
- DWV: 1500 VAC between center contact and outer body.

NOTES

- Connector interface is IAW MIL-STD-348, series BNC, socket contact, 2-lug bayonet coupling



CONTACT JUMPER AND CONNECTOR ASSEMBLIES