

799-172

Jackscrew, Series 79

- For Connector without Backshell
- Fits Series 790 and 791
- Includes Clip



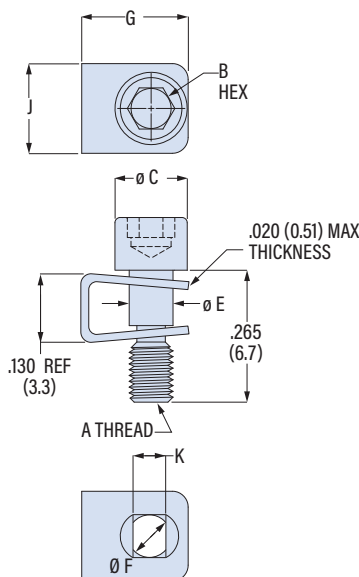
799-172

This accessory fits Series 790 and 791 connectors:
790-024, 790-025, 791-001, 791-003

Stainless steel jackscrews fit Series 790 and 791 connectors. Kit consists of (2) screws and (2) retainer clip, **order (1) kit per connector**. Jackscrew and clip are passivated stainless steel.

JACKSCREW KIT with (2) jackscrews and (2) clips

A Thread UNC-2A	Shell Size		Part Number	B Hex		C		øE		øF		G ±.010 (0.2) mm		J ±.010 (0.2) mm		K	
	Series 790	Series 791		in	mm	in	mm	in	mm	in	mm	in	mm	in	mm		
2-56	A-G, J, K	—	799-172-1	5/64	2.0	.140	3.6	.083	2.1	.095	2.4	.210	5.3	.172	4.4	.072	1.8
4-40	H, L	A-G, J, K	799-172-2	3/32	2.4	.183	4.6	.109	2.8	.121	3.1	.325	8.3	.250	6.4	.091	2.3
6-32	M	H, L	799-172-3	7/64	2.8	.226	5.7	.135	3.4	.147	3.7	.350	8.9	.250	6.4	.112	2.8
8-32		M	799-172-4	9/64	3.6	.270	6.9	.161	4.1	.173	4.4	.375	9.5	.275	7.0	.141	3.6



SERIES 79 MICRO-CRIMP ACCESSORIES