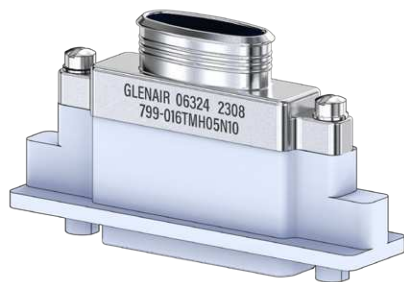




799-016

Piggyback EMI Banding Backshell, Panel Mount

- Solid, Elliptical Entry
- Band-Master® Shield Termination
- Top, Side and 45° Entry



**799-016**

This accessory fits Series 790 and 791 panel mount connectors:  
790-026, 790-027, 790-049, 790-050, 791-017, 791-018, 791-019, 791-020

EMI, lightweight. 799-016 piggyback backshell fits panel mount Series 790 and 791 connectors. Terminate cable shield to backshell with BandMaster ATS band strap. Aluminum or stainless steel with stainless steel screws. Non-environmental.

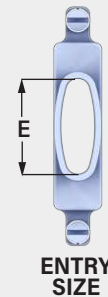
**BAND OPTIONS**

Terminate cable braid to backshell with optional band strap and banding tool. Pre-coiled bands are passivated stainless steel. Micro Slim bands have reduced thickness for weight reduction. Micro-Max bands are high-tension for lower-resistivity termination.

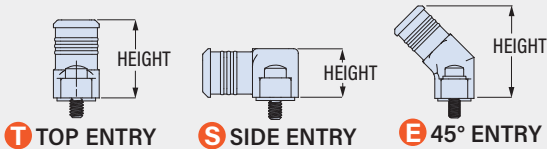
Band Type and Width	Hand Tool	Pneumatic Tool
Micro: .12 (3.0)	601-101	601-107
Micro Slim: .12 (3.0)	601-122	601-123
Micro-Max: .12 (3.0)	601-129	601-118

**PART NUMBER**

Sample PN →	<b>799-016T</b>	<b>MT</b>	<b>L</b>	<b>07</b>	<b>N</b>	<b>12</b>																																									
<b>Base P/N</b>	<b>799-016T</b> <b>T</b> Top Entry <b>799-016S</b> <b>S</b> Side Entry <b>799-016E</b> <b>E</b> 45° Entry																																														
<b>Material / Finish</b>	<b>TZ</b> Alum / Tin-Zinc <b>M</b> Alum / Electroless Nickel <b>MT</b> Alum / Nickel-PTFE <b>ZR</b> Alum / Black Zinc-Nickel <b>ZI</b> SST / Passivated																																														
<b>Shell Size</b>	<b>A B C D E F G H J K L M N</b>																																														
<b>Entry Size</b>	<table border="1"> <thead> <tr> <th>Entry Size</th> <th>E</th> <th>Shell Size</th> </tr> </thead> <tbody> <tr><td>01</td><td>.255 (6.5)</td><td>A thru N</td></tr> <tr><td>02</td><td>.405 (10.3)</td><td>B thru N</td></tr> <tr><td>03</td><td>.555 (14.1)</td><td>C thru N</td></tr> <tr><td>04</td><td>.655 (16.6)</td><td>D thru N</td></tr> <tr><td>05</td><td>.805 (20.4)</td><td>E thru N</td></tr> <tr><td>06</td><td>.920 (23.4)</td><td>F thru N</td></tr> <tr><td>07</td><td>1.110 (28.2)</td><td>H thru N</td></tr> <tr><td>08</td><td>1.300 (33.0)</td><td>H thru N</td></tr> <tr><td>09</td><td>1.415 (35.9)</td><td>K thru N</td></tr> <tr><td>10</td><td>1.535 (39.0)</td><td>K thru N</td></tr> <tr><td>11</td><td>1.705 (43.3)</td><td>K and N</td></tr> <tr><td>12</td><td>1.600 (40.6)</td><td>K, M, N</td></tr> <tr><td>13</td><td>2.000 (50.8)</td><td>N</td></tr> </tbody> </table>	Entry Size	E	Shell Size	01	.255 (6.5)	A thru N	02	.405 (10.3)	B thru N	03	.555 (14.1)	C thru N	04	.655 (16.6)	D thru N	05	.805 (20.4)	E thru N	06	.920 (23.4)	F thru N	07	1.110 (28.2)	H thru N	08	1.300 (33.0)	H thru N	09	1.415 (35.9)	K thru N	10	1.535 (39.0)	K thru N	11	1.705 (43.3)	K and N	12	1.600 (40.6)	K, M, N	13	2.000 (50.8)	N				
Entry Size	E	Shell Size																																													
01	.255 (6.5)	A thru N																																													
02	.405 (10.3)	B thru N																																													
03	.555 (14.1)	C thru N																																													
04	.655 (16.6)	D thru N																																													
05	.805 (20.4)	E thru N																																													
06	.920 (23.4)	F thru N																																													
07	1.110 (28.2)	H thru N																																													
08	1.300 (33.0)	H thru N																																													
09	1.415 (35.9)	K thru N																																													
10	1.535 (39.0)	K thru N																																													
11	1.705 (43.3)	K and N																																													
12	1.600 (40.6)	K, M, N																																													
13	2.000 (50.8)	N																																													
<b>Band</b>	<b>N</b> No Band <b>M</b> Micro Band Included <b>J</b> Micro Slim Band Included <b>L</b> Micro-Max Band Included																																														



Height Code	Code	Height	Shell Size		
			<b>T</b> Top	<b>E</b> 45°	<b>S</b> Side
	05	.313 (8.0)	—	—	A-F, J, K
	08	.500 (12.7)	—	—	A thru M
	10	.625 (15.9)	A thru L	—	A thru N
	12	.750 (19.1)	A thru N	A-F, J, K	A thru N
	14	.875 (22.2)	A thru N	A thru M	G, H, L, M, N
	16	1.000 (25.4)	A thru N	A thru N	G, H, L, M, N
	18	1.125 (28.6)	A thru N	G, H, L, M, N	M, N
	20	1.250 (31.8)	G, H, L, M, N	G, H, L, M, N	M, N

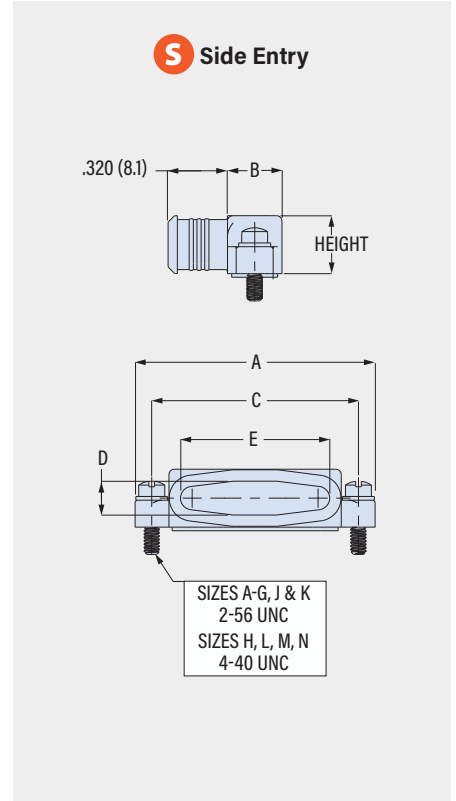
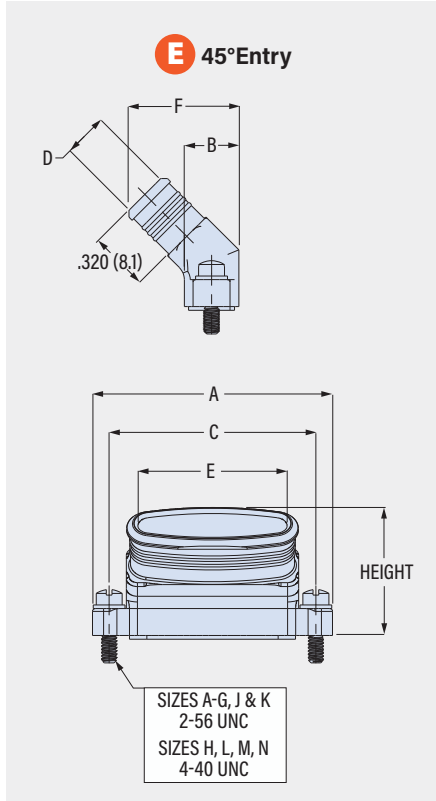
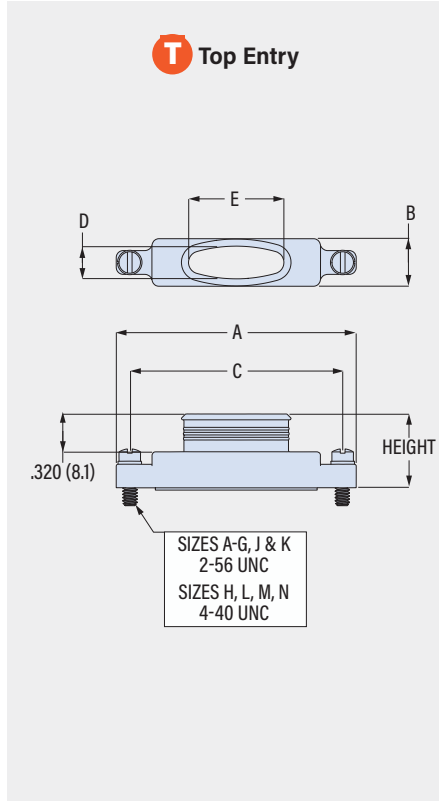


SERIES 79 MICRO-CRIMP ACCESSORIES

799-016

Piggyback EMI Banding Backshell, Panel Mount

- Solid, Elliptical Entry
- Band-Master® Shield Termination
- Top, Side and 45° Entry



Shell Size	A Max		B Max		C		D		F		Available Entries
	in	mm	in	mm	in	mm	in	mm	in	mm	
<b>A</b>	.760	19.3	.308	7.8	.565	14.4	.190	4.8	.59	15.0	01
<b>B</b>	.910	23.1	.308	7.8	.715	18.2	.190	4.8	.59	15.0	01 thru 02
<b>C</b>	1.060	26.9	.308	7.8	.865	22.0	.190	4.8	.59	15.0	01 thru 03
<b>D</b>	1.160	29.5	.308	7.8	.965	24.5	.190	4.8	.59	15.0	01 thru 04
<b>E</b>	1.310	33.3	.308	7.8	1.115	28.3	.190	4.8	.59	15.0	01 thru 05
<b>F</b>	1.460	37.1	.308	7.8	1.265	32.1	.190	4.8	.59	15.0	01 thru 06
<b>G</b>	1.410	35.8	.395	10.0	1.215	30.9	.275	7.0	.68	17.3	01 thru 06
<b>H</b>	2.045	51.9	.410	10.4	1.800	45.7	.300	7.6	.70	17.8	01 thru 08
<b>J</b>	1.810	46.0	.308	7.8	1.615	41.0	.190	4.8	.59	15.0	01 thru 08
<b>K</b>	2.210	56.1	.308	7.8	2.015	51.2	.190	4.8	.59	15.0	01 thru 12
<b>L</b>	2.281	57.9	.410	10.4	2.036	51.7	.300	7.6	.70	17.8	01 thru 10
<b>M</b>	2.445	62.1	.470	11.9	2.200	55.9	.360	9.1	.76	19.3	01 thru 10, 12
<b>N</b>	2.645	67.2	.534	13.6	2.350	59.7	.425	10.8	.83	21.1	01 thru 13

Entry Size	E		Available Sizes
	in	mm	
<b>01</b>	.255	6.5	A thru N
<b>02</b>	.405	10.3	B thru N
<b>03</b>	.555	14.1	C thru N
<b>04</b>	.655	16.6	D thru N
<b>05</b>	.805	20.4	E thru N
<b>06</b>	.920	23.4	F thru N
<b>07</b>	1.110	28.2	H thru N
<b>08</b>	1.300	33.0	H thru N
<b>09</b>	1.415	35.9	K thru N
<b>10</b>	1.535	39.0	K thru N
<b>11</b>	1.705	43.3	K and N
<b>12</b>	1.600	40.6	K, M, N
<b>13</b>	2.000	50.8	N

SERIES 79 MICRO-CRIMP ACCESSORIES