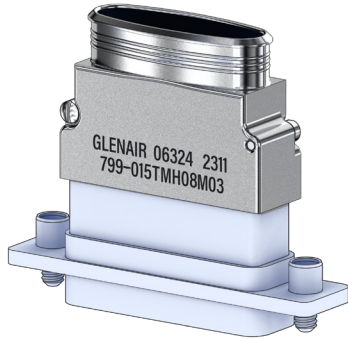




799-015

Piggyback EMI Banding Backshell

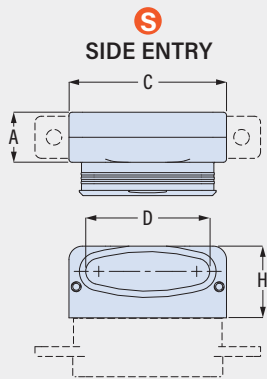
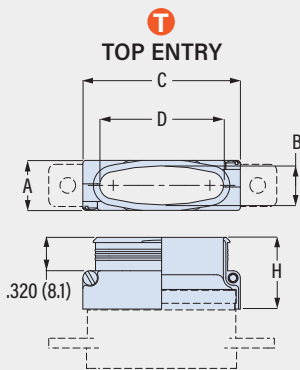
- p Piggyback 2 Piece, Elliptical Entry
- p Band-Master® Shield Termination
- p Top and Side Entry



799-015

This accessory fits Series 790 and 791 connectors:
790-024, 790-025, 791-001, 791-003

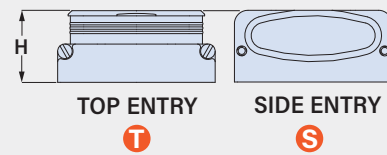
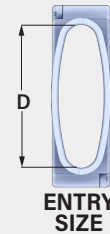
EMI, lightweight, split. 799-015 piggyback backshell fits Series 790 and 791 connectors with rear groove on shell. Terminate cable shield to backshell with BandMaster ATS band strap. Aluminum or stainless steel with stainless steel screws. Non-environmental.



PART NUMBER

Sample PN → 799-015T MT M 09 N 01 -T S

Base P/N	799-015T T Top Entry 799-015S S Side Entry
Material / Finish	TZ Alum / Tin-Zinc M Alum / Electroless Nickel MT Alum / Nickel-PTFE ZR Alum / Black Zinc-Nickel ZI SST / Passivated
Shell Size	A B C D E F G H J K L M N
Entry Size	Entry Size D Shell Size
	01 .140 (3.6) A thru N
	02 .290 (7.4) B thru N
	03 .440 (11.2) C thru N
	04 .540 (13.7) D thru N
	05 .690 (17.5) E thru N
	06 .810 (20.6) F thru N
	07 1.000 (25.4) H thru N
	08 1.190 (30.2) H thru N
	09 1.305 (33.1) K thru N
	10 1.420 (36.1) K thru N
	11 1.600 (40.6) K and N
	12 1.500 (38.1) K thru N
	13 1.750 (44.5) N
14 1.875 (47.6) N	
Band	N No Band J Micro Slim Band Included M Micro Band Included L Micro-Max Band Included
Height Code	Code H
	01 .810 (20.6)
	02 .940 (23.9)
	04 1.190 (30.2)
06 1.440 (36.6)	
08 1.690 (42.9)	
Qwik-TY	Omit For None
Slots In Banding Area	Omit For None



Shell Size	A Max in mm	B in mm	C Max in mm	Available Entries
A	.385 9.8	.270 6.9	.485 12.3	01
B	.385 9.8	.270 6.9	.635 16.1	01 thru 02
C	.385 9.8	.270 6.9	.785 19.9	01 thru 03
D	.385 9.8	.270 6.9	.885 22.5	01 thru 04
E	.385 9.8	.270 6.9	1.035 26.3	01 thru 05
F	.385 9.8	.270 6.9	1.185 30.1	01 thru 06
G	.465 11.8	.350 8.9	1.145 29.1	01 thru 06
H	.495 12.6	.380 9.7	1.525 38.7	01 thru 08
J	.385 9.8	.270 6.9	1.545 39.2	01 thru 08
K	.385 9.8	.270 6.9	1.945 49.4	01 thru 12
L	.495 12.6	.380 9.7	1.765 44.8	01 thru 10
M	.555 14.1	.440 11.2	1.830 46.5	01 thru 10, 12
N	.650 16.5	.535 13.6	2.200 55.9	01 thru 14

BAND OPTIONS

Terminate cable braid to backshell with optional band strap and banding tool. Pre-coiled bands are passivated stainless steel. Micro Slim bands have reduced thickness for weight reduction. Micro-Max bands are high-tension for lower-resistivity termination.



Band Type and Width	Hand Tool	Pneumatic Tool
Micro: .12 (3.0)	601-101	601-107
Micro Slim: .12 (3.0)	601-122	601-123
Micro-Max: .12 (3.0)	601-129	601-118

SERIES 79 MICRO-CRIMP ACCESSORIES