

Series 79 Micro-Crimp®



799-011

EMI Banding Backshell, Micro-Crimp®

- Solid, Elliptical Entry
- Band-Master® Shield Termination
- Top and Side Entry



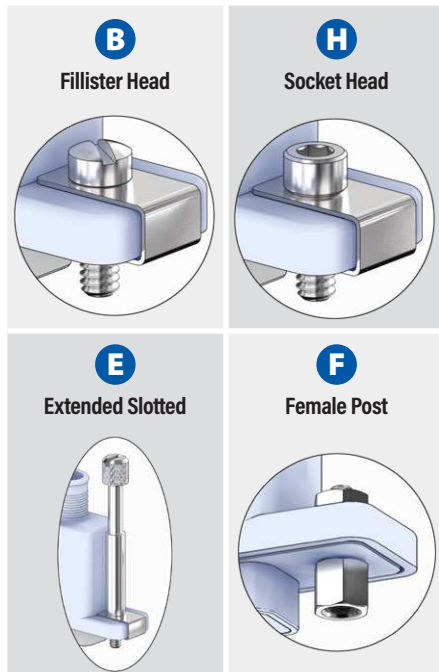
T Top Entry

799-011

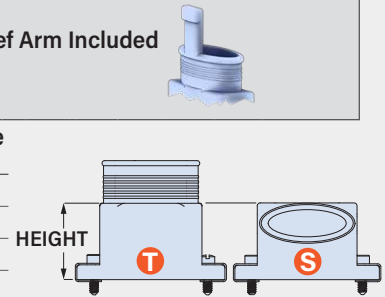
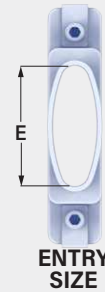
This accessory fits Series 790 connectors: 790-024 and 790-025

EMI, banding elliptical entry. 799-011 backshell fits Series 790 connectors 790-024 and 790-025. Terminate cable shield to backshell with BandMaster ATS band strap. Connector flange sits inside backshell. Optional Qwik-Ty strain relief arm. Aluminum or stainless steel with stainless steel screwlocks and retainer clips.

TABLE 1
SCREWLOCK OPTIONS



PART NUMBER	
Sample PN →	799-011T M H 01 H N T 08
Base P/N	799-011T T Top Entry 799-011S S Side Entry
Material / Finish	TZ Alum / Tin-Zinc M Alum / Electroless Nickel MT Alum / Nickel-PTFE ZR Alum / Black Zinc-Nickel ZI SST / Passivated
Shell Size	A B C D E F G H J K L M
Entry Size	Entry Size E Shell Size
	01 .300 (7.6) A thru M
	02 .450 (11.4) B thru M
	03 .600 (15.2) C thru M
	04 .700 (17.8) D thru M
	05 .850 (21.6) E thru M
	06 .965 (24.5) F thru M
	07 1.155 (29.3) H thru M
	08 1.345 (34.2) H thru M
	09 1.460 (37.1) K thru M
	10 1.580 (40.1) K thru M
	11 1.760 (44.7) K
	12 1.645 (41.8) K and M
Screwlocks (Table 1)	B Fillister Head Male
	E Extended Male
	F Female Jackpost
	H Socket Head Male
Band	N No Band
	B Standard Band Included
	S Slim Standard Band Included
	M Micro Band Included J Micro Slim Band Included L Micro-Max Band Included
Qwik-Ty®	T Qwik-Ty Strain Relief Arm Included
	N No Qwik-Ty
Height Code	Height Code Height Available Profiles
	06 .750 (19.1) T
	07 .875 (22.2) T
	08 1.000 (25.4) T S
	09 1.125 (28.6) T S
	10 1.250 (31.8) T S



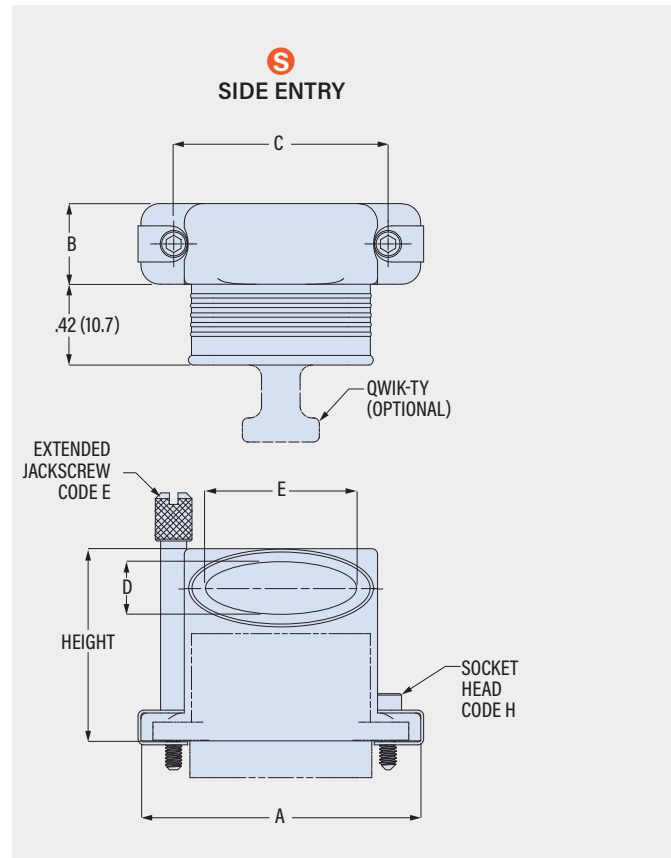
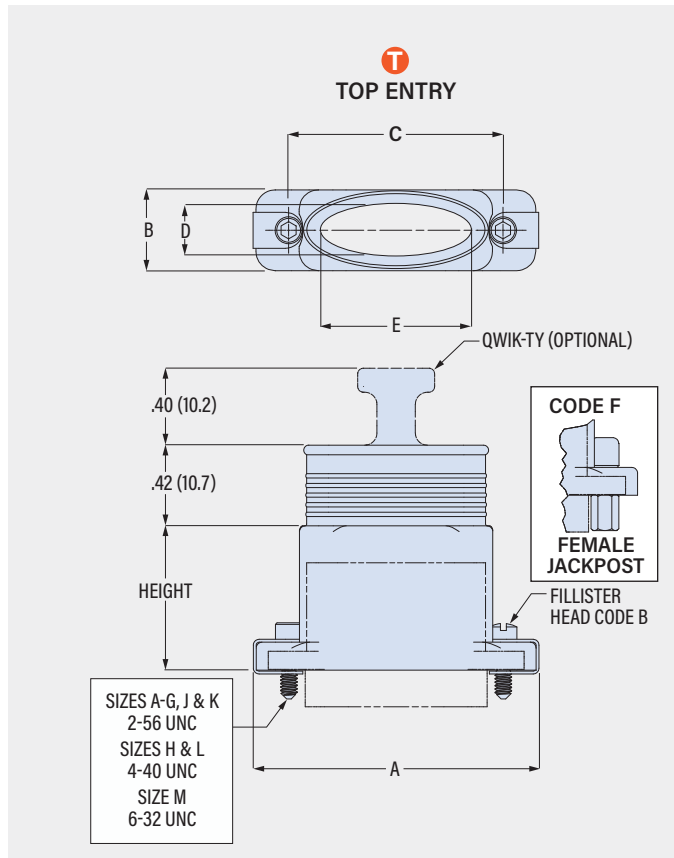
SERIES 79 MICRO-CRIMP ACCESSORIES

799-011

EMI Banding Backshell, Micro-Crimp

- Solid with Elliptical Entry
- Band-Master® Shield Termination
- Top and Side Entry

SERIES 79 MICRO-CRIMP ACCESSORIES



Shell Size	A Max		B Max		C		D		Available Entries	Entry Size	E		Available Sizes
	in	mm	in	mm	in	mm	in	mm			in	mm	
A	.935	23.7	.450	11.4	.565	14.4	.300	.76	01	01	.300	7.6	A thru M
B	1.085	27.6	.450	11.4	.715	18.2	.300	.76	01 thru 02	02	.450	11.4	B thru M
C	1.235	31.4	.450	11.4	.865	22.0	.300	.76	01 thru 03	03	.600	15.2	C thru M
D	1.335	33.9	.450	11.4	.965	24.5	.300	.76	01 thru 04	04	.700	17.8	D thru M
E	1.485	37.7	.450	11.4	1.115	28.3	.300	.76	01 thru 05	05	.850	21.6	E thru M
F	1.635	41.5	.450	11.4	1.265	32.1	.300	.76	01 thru 06	06	.965	24.5	F thru M
G	1.585	40.3	.533	13.5	1.215	30.9	.383	9.7	01 thru 06	07	1.155	29.3	H thru M
H	2.320	58.9	.560	14.2	1.800	45.7	.410	10.4	01 thru 08	08	1.345	34.2	H thru M
J	1.990	50.5	.450	11.4	1.615	41.0	.300	.76	01 thru 08	09	1.460	37.1	K thru M
K	2.385	60.6	.450	11.4	2.015	51.2	.300	.76	01 thru 12	10	1.580	40.1	K thru M
L	2.556	64.9	.560	14.2	2.036	51.7	.410	10.4	01 thru 10	11	1.760	44.7	K
M	2.720	69.1	.620	15.7	2.200	55.9	.470	11.9	01 thru 10, 12	12	1.645	41.8	K and M

SCREWLOCKS

CLIP
Clip has circular hole and square hole.

ASSEMBLY
INSTALL CLIP WITH SQUARE HOLE ON TOP.
Screw is floating. Mate connectors first, then fasten screwlocks.

BAND OPTIONS

Terminate cable braid to backshell with optional band strap and banding tool. Pre-coiled bands are passivated stainless steel. Slim Standard bands have reduced thickness for weight reduction. Micro Slim bands have reduced thickness for weight reduction. Micro-Max bands are high-tension for lower-resistivity termination.

Band Type and Width	Hand Tool	Pneumatic
Standard: .24 (6.1)	601-100	601-106
Slim Standard: .24 (6.1)	601-109	601-110
Micro: .12 (3.0)	601-101	601-107
Micro Slim: .12 (3.0)	601-122	601-123
Micro-Max: .12 (3.0)	601-129	601-118