

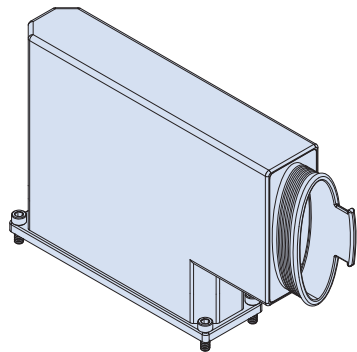
M83733 / DPK Backshells



527-466

Backshell, EMI Banding, End Entry, DPKB

- Elliptical End Entry
- Band-Master ATS Shield Termination



527-466

EMI banding backshell fits DPKB connectors

Fits ITT Cannon DPKB and MIL-DTL-83733 shell size B connectors. Elliptical end entry accepts large wire bundles. Attach cable braid to backshell with **Band-Master ATS**® banding strap. Attach cable tie (not supplied) to optional Qwik-Ty arm for cable strain relief.

Aluminum with stainless steel hardware.

BAND OPTIONS

Terminate cable braid to backshell with optional band strap and banding tool. Pre-coiled bands are passivated stainless steel. Slim Standard bands have reduced thickness for weight reduction.



Band Type and Width	Hand Tool	Pneumatic Tool
Standard: .24 (6.1)	601-100	601-106
Slim Standard: .24 (6.1)	601-109	601-110

PART NUMBER

Sample PN → **527-466 NF B T K S**

Base P/N	527-466
Finish	M Electroless Nickel
	TZ Tin-Zinc
	NF Olive Drab Cadmium
Shell Size	B
Qwik-Ty Option	<i>Omit</i> None
	T Qwik-Ty Included
Band Option	<i>Omit</i> No Band
	K Standard Band Included
	J Slim Standard Band Included
Hardware Option	<i>Omit</i> None
	S #4-40 Mounting Screws and Lockwashers Included

