

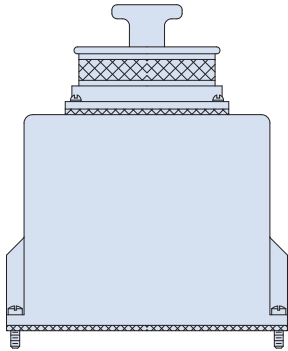
M83733 / DPK Backshells



507-158

Backshell, EMI Banding, Top Entry, M83733

- Elliptical Top Entry
- Band-Master ATS Shield Termination



507-158
EMI banding backshell fits M83733 connectors

Fits ITT Cannon DPK and MIL-DTL-83733 connectors. Elliptical top entry accepts large wire bundles. Attach cable braid to backshell with **Band-Master ATS®** banding strap. Attach cable tie (not supplied) to optional Qwik-Ty arm for cable strain relief. Backshell is supplied with three EMI gaskets: entry gasket, backshell/connector interface and connector/panel interface.

Aluminum with stainless steel hardware.
Backshell gaskets: metalastic.
Connector interface gasket: monel mesh.

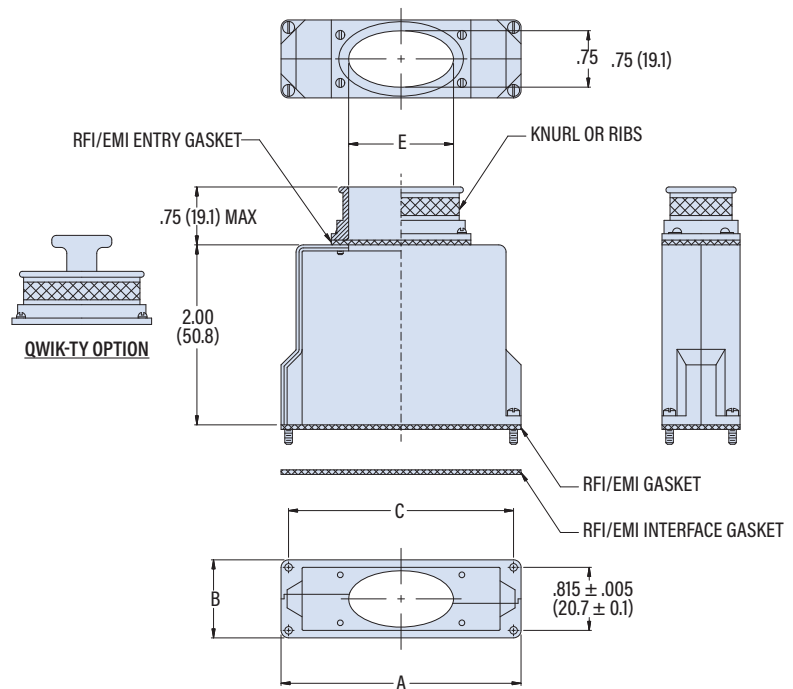
BAND OPTIONS

Terminate cable braid to backshell with optional band strap and banding tool. Pre-coiled bands are passivated stainless steel. Slim Standard bands have reduced thickness for weight reduction.



Band Type and Width	Hand Tool	Pneumatic Tool
Standard: .24 (6.1)	601-100	601-106
Slim Standard: .24 (6.1)	601-109	601-110

PART NUMBER	
Sample PN →	507-158 NF -B J
Base P/N	507-158
Finish	M Electroless Nickel TZ Tin-Zinc NF Olive Drab Cadmium
Shell Size	-A -B
Qwik-Ty Option	Omit None T Qwik-Ty Included
Band	Omit No Band K Standard Band Included J Slim Standard Band Included



Shell Size	A		B		C		ø E	
	in	mm	in	mm	in	mm	in	mm
A	2.095	53.2	1.000	25.4	1.895 ±.005 (0.13)	48.1	1.125	28.6
B	3.395	86.2	1.000	25.4	3.195	81.1	1.375	34.9

M83733 / DPK BACKSHELLS