

# M83733 / DPK Backshells



## 507-013

### Strain Relief, Straight Clamp, M83733



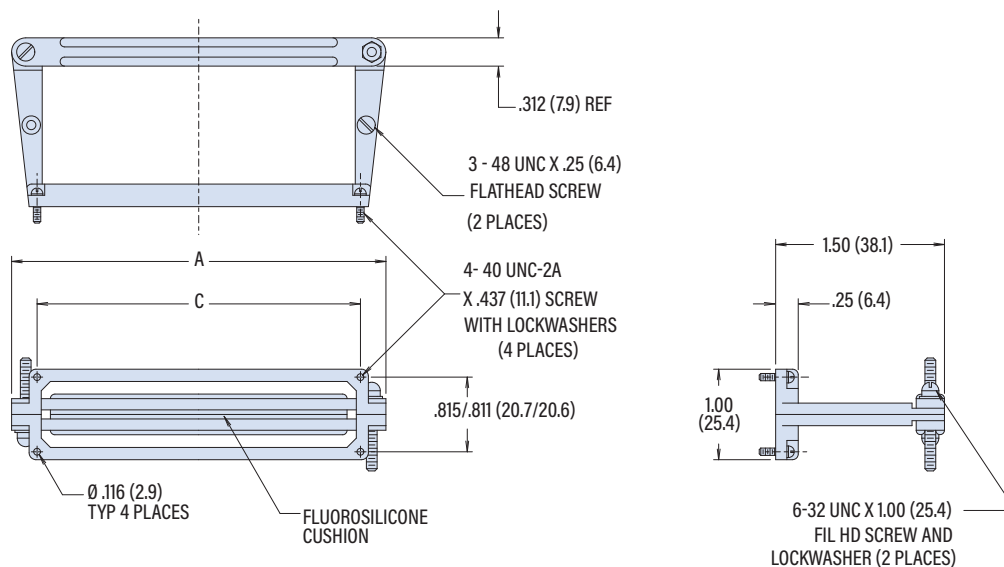
**507-013**  
 Straight clamp strain relief fits M83733 connectors

Fits ITT Cannon DPK and MIL-DTL-83733 connectors. Saddle bars have cushions to prevent damage to wire insulation.

Aluminum with stainless steel hardware, fluorosilicone cushions.

PART NUMBER	
Sample PN →	<b>507-013</b> <b>B</b> <b>M</b>
Base P/N	<b>507-013</b>
Shell Size	<b>A</b> <b>B</b>
Finish	<b>Omit</b> Olive Drab Cadmium <b>TZ</b> Tin-Zinc <b>M</b> Electroless Nickel

Shell Size	Connector Series	A		C	
		±.062 (1.57) in	mm	±.005 (0.13) in	mm
<b>A</b>	DPKA	2.437	61.9	1.895	48.1
<b>B</b>	DPKB / DPJM	3.750	95.3	3.195	81.2



M83733 / DPK BACKSHELLS