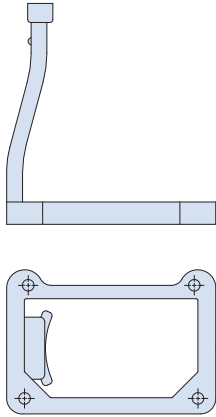


# DPX / AS81659



## 507-002

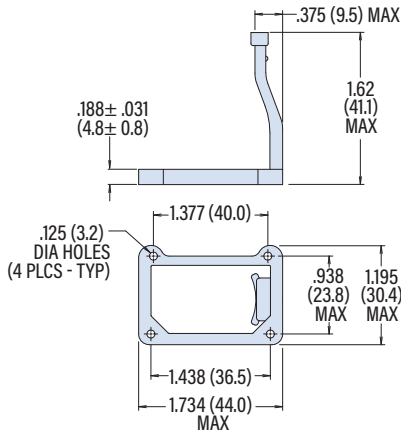
Qwik-Ty, AS81659



### 507-002

This Qwik-Ty strain relief fits AS81659 connectors

Black anodized aluminum with stainless steel hardware.



### PART NUMBER

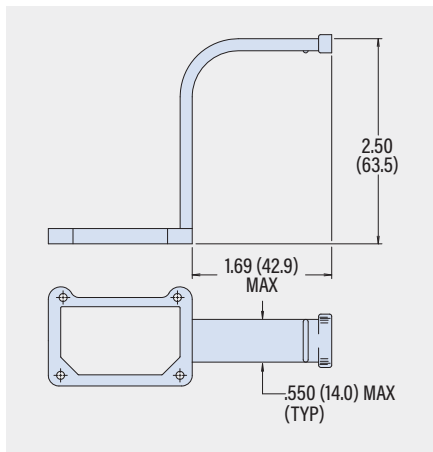
Sample PN → **507-002** **L** **H**

Base P/N **507-002**

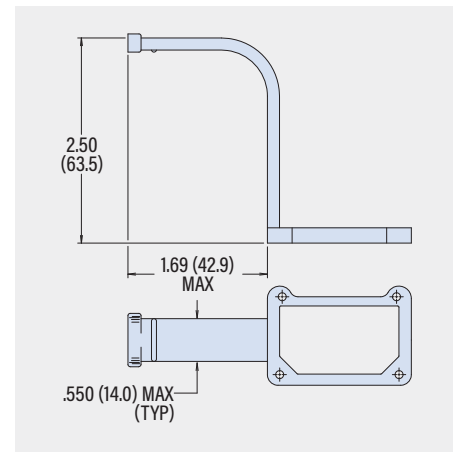
- Mounting**
- A** Angle Mount Right
  - B** Back Mount
  - C** Angle Mount Left
  - D** 90° Back Mount
  - L** Left Mount
  - R** Right Mount

**Mounting Hardware** **Omit** No Hardware  
**H** Hardware Included (4) #2-56 screws and (4) lockwashers

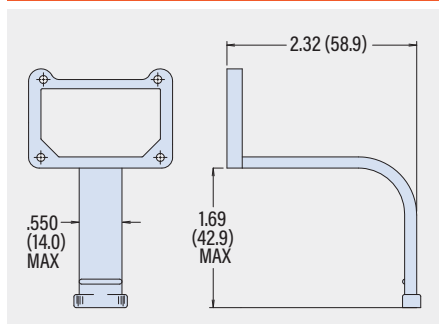
### 507-002A ANGLE MOUNT RIGHT



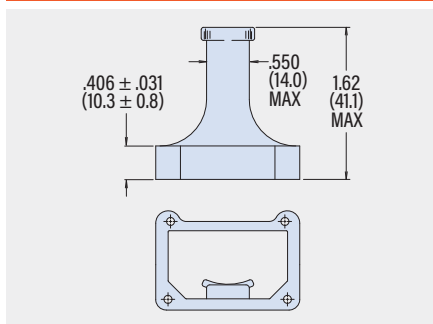
### 507-002C ANGLE MOUNT LEFT



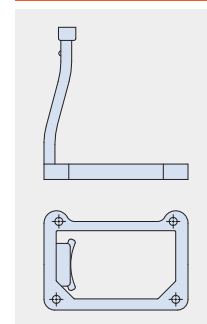
### 507-002D 90° BACK MOUNT



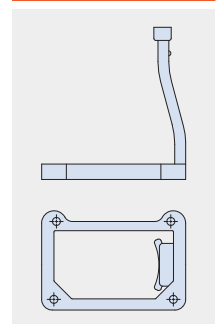
### 507-002B BACK MOUNT



### 507-002L LEFT MOUNT



### 507-002R RIGHT MOUNT



DPX / AS81659 BACKSHELLS