

D-Subminiature

780-518

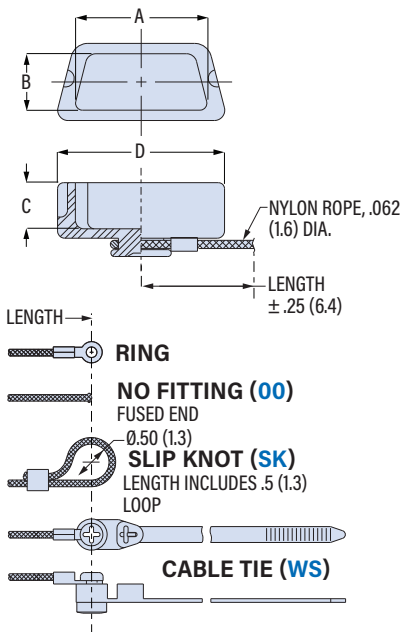
Protective Cover, Rubber



780-518

This accessory fits D-Subminiature M24308 and Series 28 HiPer-D connectors

Neoprene or silicone. 780-518 rubber cover fits M24308 D-Subminiature and Series 28 HiPer-D connectors. Cover protects connector from damage and contamination. Three material choices: black neoprene, carbon-filled conductive black neoprene, or red silicone. Attach cover with nylon rope. Attachment choices include cable tie, slip knot or stainless steel ring. *Not rated for water immersion.*



PART NUMBER

Sample PN →		780-518	-25S	G	4	-06	C
Base P/N	780-518						
Size	-09P -15P -25P -37P -50P -104P -09S -15S -25S -37S -50S -104S						
Attachment	<i>Omit for none</i> G Nylon Rope						
Attachment Length	Length in One Inch Increments (Example: 4 for four inch lanyard)						
Attachment Fitting	Code	Fitting Type	Ring Dia.				
	-00	No Fitting	N/A				
	-04	Ring	.197 (5.0)				
	-06	Ring	.125 (3.2)				
	-07	Ring	.218 (5.5)				
	-09	Ring	.156 (4.0)				
	-WS	Cable Tie	N/A				
-SK	Slip Knot	N/A					
Material	<i>Omit</i> Black Neoprene C Conductive Black Neoprene (10 ⁵ Ω/square min.) S Red Silicone						

Size	A		B		C		D	
	in	mm	in	mm	in	mm	in	mm
09S	.61	15.5	.28	7.1	.22	5.6	.82	20.8
09P	.65	16.5	.33	8.4	.23	5.8	.82	20.8
15S	.94	23.9	.28	7.1	.24	6.1	1.26	32.0
15P	.97	24.6	.33	8.4	.24	6.1	1.26	32.0
25S	1.48	37.6	.28	7.1	.25	6.4	1.76	44.7
25P	1.50	38.1	.33	8.4	.25	6.4	1.78	45.2
37S	2.12	53.8	.28	7.1	.23	5.8	2.37	60.2
37P	2.15	54.6	.33	8.4	.23	5.8	2.37	60.2
50S	2.03	51.6	.39	9.9	.24	6.1	2.28	57.9
50P	2.05	52.0	.45	11.4	.23	5.8	2.28	57.9
104S	2.23	56.7	.47	11.9	.25	6.4		61.2
104P	2.26	57.4	.50	12.7	.23	5.8	2.41	61.2

ATTACHMENT FITTING

SK SLIP KNOT

Nylon Rope, Kynar Friction Sleeve

WS CABLE TIE

6/6 nylon cable tie with screw and locknut. 1.77 (45.0) max. wire bundle dia. -40 to +85 °C.

RING TERMINAL

Screw Size	Ring Code	Ring I.D. ± .010 (0.25) in	mm
#4	-06	.125	3.2
#6	-09	.156	4.0
#8	-04	.197	5.0
#10	-07	.218	5.5

D-SUBMINIATURE ACCESSORIES