

D-Subminiature

557-666

Potting Shell



557-666

This accessory fits D-Subminiature M24308 connectors. Not compatible with Series 28 HiPer-D

Aluminum potting shell fits M24308-type D-Subminiature connectors. Available in five standard finishes. Fill with potting compound to encapsulate connector terminals and to provide wire strain relief. One piece aluminum shell with passivated stainless steel screwlocks and clips.

Shell Size	A Max		B		C ±.005 (0.13)	
	in	mm	in	mm	in	mm
1	1.203	30.6	.500	12.7	.984	25.0
2	1.531	38.9	.500	12.7	1.312	33.3
3	2.078	52.8	.500	12.7	1.852	47.0
4	2.718	69.0	.500	12.7	2.500	63.5
5	2.625	66.7	.609	15.5	2.406	61.1

PART NUMBER

Sample PN →		557-666	M	3	A
Base P/N	557-666				
Finish	TZ	Tin-Zinc			
	MN	Mega-Nickel			
	JF	Cadmium, Yel. Chromate			
	M	Electroless Nickel			
	NF	Olive Drab Cadmium			
	MT	Nickel-PTFE			
	ZR	Black Zinc-Nickel			
Shell Size	1 2 3 4 5				
Screwlocks (Table 1)	Omit	.128 (3.3) diameter thru holes			
	A	Socket Head Male Screwlocks			
	C	Fillister Head Slotted Male Screwlocks			

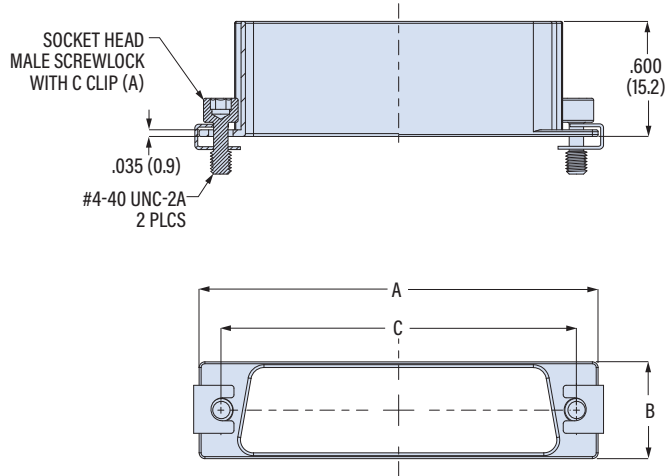


TABLE 1
SCREWLOCK OPTIONS

A

4-40 Socket Head Male Screwlocks with Clips

Part Number **687-316M**
Order 2 per backshell

C

4-40 Fillister Head Male Screwlocks with Clips

Part Number **687-316**
Order 2 per backshell

D-SUBMINIATURE ACCESSORIES