

# D-Subminiature

## 557-609

### Split Lip Backshell, EMI Banding

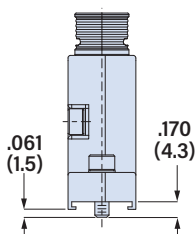
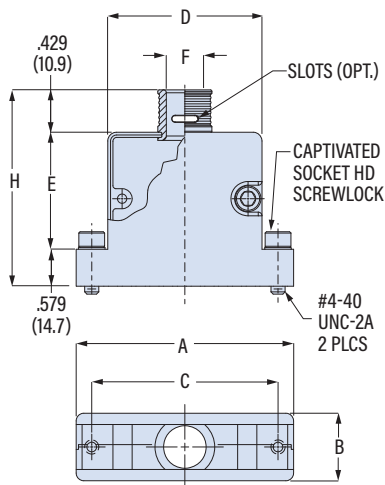
- Round or Elliptical Entry
- 1-3 Entries
- Split Backshell



### 557-609

This accessory fits D-Subminiature M24308 connectors.  
Not compatible with Series 28 HiPer-D

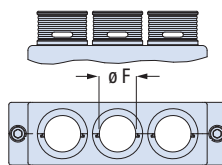
Two piece banding, round or elliptical entry. 557-609 backshell fits M24308 D-Subminiature connectors. EMI protected. Cable shield attaches to backshell with optional band strap. Connector is captivated between backshell halves. #4-40 socket head screwlocks are included. Aluminum with stainless steel screws and washers.



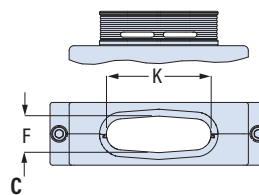
PART NUMBER	
Sample PN →	<b>557T609</b> M 4 R1 S K
Base P/N	<b>557T609</b>
Material/ Finish	<b>TZ</b> Tin-Zinc <b>MN</b> Mega-Nickel <b>JF</b> Cadmium, Yel. Chromate <b>M</b> Electroless Nickel <b>NF</b> Olive Drab Cadmium <b>MT</b> Nickel-PTFE <b>ZR</b> Black Zinc-Nickel
Shell Size	<b>1 2 3 4 5 6</b>
Entry	Code                      Shell Size
	<b>R1</b> 1 Round Entry                      1-6
	<b>R2</b> 2 Round Entries                      3-6
	<b>R3</b> 3 Round Entries                      4-6
	<b>E1</b> 1 Elliptical Entry                      2-6
<b>R1E1</b> 1 Round and 1 Elliptical                      3-6	
Slots	<b>Omit</b> No Slot
	<b>S</b> Slot (in banding area)
Band	<b>Omit</b> No Band
	<b>B</b> Standard Band Included
	<b>J</b> Slim Standard Band Included



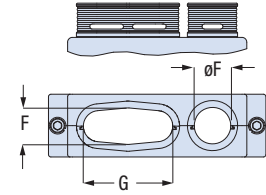
#### ENTRY R1 R2 R3 ROUND ENTRY



#### ENTRY E1 1 ELLIPTICAL ENTRY



#### ENTRY R1E1 1 ELLIPTICAL AND 1 ROUND ENTRY



Shell Size	A	B	±.005 (0.13)	D	E Max	F Max	G Max	H	K Max									
	in	mm	in	mm	in	mm	in	mm	in									
<b>1</b>	1.213	30.8	.630	16.0	.984	25.0	.728	18.5	1.300	33.0	.315	8.0	N/A	N/A	2.308	58.6	N/A	N/A
<b>2</b>	1.535	39.0	.630	16.0	1.312	33.3	1.059	26.9	1.300	33.0	.315	8.0	N/A	N/A	2.308	58.6	.661	16.8
<b>3</b>	2.087	53.0	.630	16.0	1.852	47.0	1.598	40.6	1.520	38.6	.315	8.0	.575	14.6	2.528	64.2	1.200	30.5
<b>4</b>	2.728	69.3	.630	16.0	2.500	63.5	2.248	57.1	1.520	38.6	.315	8.0	1.225	31.1	2.528	64.2	1.850	47.0
<b>5</b>	2.638	67.0	.750	19.1	2.406	61.1	2.192	55.7	1.520	38.6	.433	11.0	1.051	26.7	2.528	64.2	1.794	45.6
<b>6</b>	2.728	69.3	.787	20.0	2.500	63.5	2.248	57.1	1.520	38.6	.470	11.9	1.070	27.2	2.528	64.2	1.850	47.0

#### BAND OPTIONS

Terminate cable braid to backshell with optional band strap and banding tool. Pre-coiled bands are passivated stainless steel. Slim Standard bands have reduced thickness for weight reduction.

Band Type and Width	Hand Tool	Pneumatic Tool
Standard: .24 (6.1)	<b>601-100</b>	<b>601-106</b>
Slim Standard: .24 (6.1)	<b>601-109</b>	<b>601-110</b>

D-SUBMINIATURE ACCESSORIES