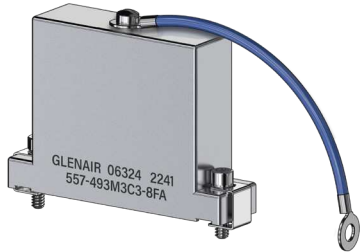


D-Subminiature

557-493

Shorting Cap Backshell, Solid



557-493

This accessory fits D-Subminiature M24308 connectors.
Not compatible with Series 28 HiPer-D

Split, shrouded. 557-493 one piece shorting cap backshell fits M24308 D-Subminiature connectors. #4-40 screwlocks are included. Aluminum with stainless steel screws and washers.

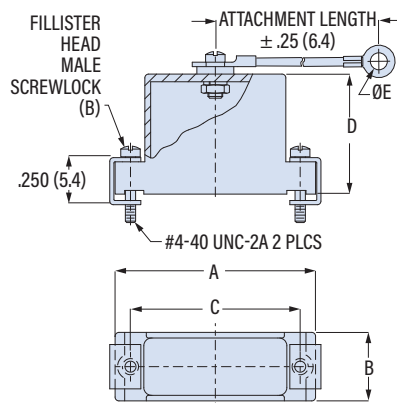
TABLE 1 SCREWLOCK OPTIONS

| | |
|--|---|
| <p>B 4-40 Fillister Hd Male Screwlocks With Clips</p> | <p>C 4-40 Socket Hd Male Screwlocks With Clips</p> |
| <p>J 4-40 Female Screwlocks</p> | |

TABLE 2 ATTACHMENT TYPE

| | |
|---|---|
| <p>D</p> <p>SST Bead Chain</p> | <p>F</p> <p>SST Wire Rope, Nylon Jacket</p> |
| <p>G</p> <p>Black Nylon Rope</p> | <p>H</p> <p>SST Wire Rope, Clear FEP Jacket</p> |
| <p>S</p> <p>SST Sash Chain</p> | <p>U</p> <p>SST Wire Rope, Black Polyurethane Jacket</p> |

| PART NUMBER | | | | | | | | | | | | | | | | | |
|---------------------------|---|------|--------|---|-------------|---|-------------|---|-------------|---|-------------|---|-------------|---|-------------|---|-------------|
| Sample PN→ | 557-493 ZR 5 C 1 -8 U A | | | | | | | | | | | | | | | | |
| Base P/N | 557-493 | | | | | | | | | | | | | | | | |
| Finish | <p>TZ Tin-Zinc</p> <p>MN Mega-Nickel</p> <p>JF Cadmium, Yel. Chromate</p> <p>M Electroless Nickel</p> <p>NF Olive Drab Cadmium</p> <p>MT Nickel-PTFE</p> <p>ZR Black Zinc-Nickel</p> | | | | | | | | | | | | | | | | |
| Shell Size | 1 2 3 4 5 6 | | | | | | | | | | | | | | | | |
| Screwlocks (Table 1) | <p>B Fillister Head Male Screwlocks</p> <p>C Socket Head Male Screwlocks</p> <p>J Female Screwlocks</p> | | | | | | | | | | | | | | | | |
| Height Code | <table border="1"> <thead> <tr> <th>Code</th> <th>D</th> </tr> </thead> <tbody> <tr><td>1</td><td>1.00 (25.4)</td></tr> <tr><td>2</td><td>1.25 (31.8)</td></tr> <tr><td>3</td><td>1.50 (38.1)</td></tr> <tr><td>4</td><td>1.75 (44.5)</td></tr> <tr><td>5</td><td>2.00 (50.8)</td></tr> <tr><td>6</td><td>2.50 (63.5)</td></tr> <tr><td>7</td><td>3.00 (76.2)</td></tr> </tbody> </table> | Code | D | 1 | 1.00 (25.4) | 2 | 1.25 (31.8) | 3 | 1.50 (38.1) | 4 | 1.75 (44.5) | 5 | 2.00 (50.8) | 6 | 2.50 (63.5) | 7 | 3.00 (76.2) |
| Code | D | | | | | | | | | | | | | | | | |
| 1 | 1.00 (25.4) | | | | | | | | | | | | | | | | |
| 2 | 1.25 (31.8) | | | | | | | | | | | | | | | | |
| 3 | 1.50 (38.1) | | | | | | | | | | | | | | | | |
| 4 | 1.75 (44.5) | | | | | | | | | | | | | | | | |
| 5 | 2.00 (50.8) | | | | | | | | | | | | | | | | |
| 6 | 2.50 (63.5) | | | | | | | | | | | | | | | | |
| 7 | 3.00 (76.2) | | | | | | | | | | | | | | | | |
| Attachment Length | <p>-N No Attachment</p> <p>Attachment Length in 1/2 inch increments</p> <p>("-10" = five inches)</p> | | | | | | | | | | | | | | | | |
| Attachment Type (Table 2) | <p>Omit if not required.</p> <p>See Table 2 for attachment types</p> | | | | | | | | | | | | | | | | |
| Attachment Dia. | <p>Omit if not required</p> <table border="1"> <thead> <tr> <th>Code</th> <th>E Dia.</th> </tr> </thead> <tbody> <tr><td>A</td><td>.140 (3.6)</td></tr> <tr><td>B</td><td>.167 (4.2)</td></tr> <tr><td>C</td><td>.182 (4.6)</td></tr> <tr><td>D</td><td>.191 (4.9)</td></tr> <tr><td>E</td><td>.125 (3.2)</td></tr> <tr><td>F</td><td>.218 (5.5)</td></tr> </tbody> </table> | Code | E Dia. | A | .140 (3.6) | B | .167 (4.2) | C | .182 (4.6) | D | .191 (4.9) | E | .125 (3.2) | F | .218 (5.5) | | |
| Code | E Dia. | | | | | | | | | | | | | | | | |
| A | .140 (3.6) | | | | | | | | | | | | | | | | |
| B | .167 (4.2) | | | | | | | | | | | | | | | | |
| C | .182 (4.6) | | | | | | | | | | | | | | | | |
| D | .191 (4.9) | | | | | | | | | | | | | | | | |
| E | .125 (3.2) | | | | | | | | | | | | | | | | |
| F | .218 (5.5) | | | | | | | | | | | | | | | | |



| Shell Size | A Max | | B | | C ±.005 (0.13) | |
|------------|-------|------|-----|------|----------------|------|
| | in | mm | in | mm | in | mm |
| 1 | 1.25 | 31.8 | .53 | 13.5 | .984 | 25.0 |
| 2 | 1.58 | 40.1 | .53 | 13.5 | 1.312 | 33.3 |
| 3 | 2.13 | 54.1 | .53 | 13.5 | 1.852 | 47.0 |
| 4 | 2.77 | 70.4 | .53 | 13.5 | 2.500 | 63.5 |
| 5 | 2.68 | 68.1 | .66 | 16.8 | 2.406 | 61.1 |
| 6 | 2.77 | 70.4 | .73 | 18.5 | 2.500 | 63.5 |

D-SUBMINIATURE ACCESSORIES