

# D-Subminiature

## 557-467

### Straight Clamp Backshell

- Solid Backshell, .25" Flange
- Straight Clamp Strain Relief
- For Unshielded Cable



#### 557-467

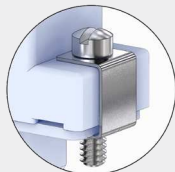
This accessory fits D-Subminiature M24308 connectors. Not compatible with Series 28 HiPer-D

**Straight clamp.** 557-467 aluminum backshell fits M24308 D-Subminiature connectors. Use with unshielded wire bundles. Flat bars with silicone pads provide strain relief. Aluminum with stainless steel screws and clips.

**TABLE 1**  
SCREWLOCK OPTIONS

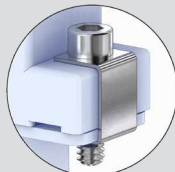
**B**

4-40 Fillister Head Male Screwlocks with Clips



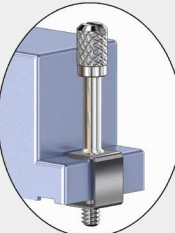
**C**

4-40 Socket Head Male Screwlocks with Clips



**E**

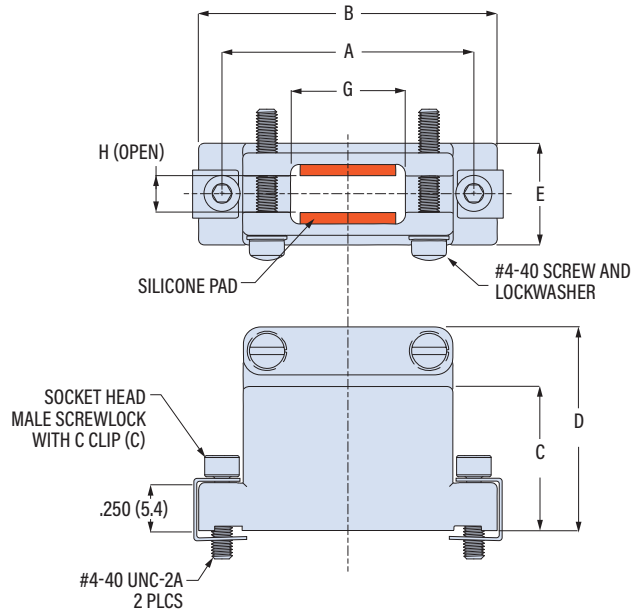
4-40 Extended Length Slotted Male Screwlocks with Clips



#### PART NUMBER

Sample PN → **557T467 M -2 C**

<b>Base P/N</b>	<b>557T467</b>
<b>Finish</b>	<b>TZ</b> Tin-Zinc <b>MN</b> Mega-Nickel <b>JF</b> Cadmium, Yel. Chromate <b>M</b> Electroless Nickel <b>NF</b> Olive Drab Cadmium <b>MT</b> Nickel-PTFE <b>ZR</b> Black Zinc-Nickel
<b>Shell Size</b>	<b>-1 -2 -3 -4 -5 -6</b>
<b>Screwlocks (Table 1)</b>	<b>B</b> Fillister Head Male Screwlocks <b>C</b> Socket Head Male Screwlocks <b>E</b> Extended Slotted Male Screwlocks



Shell Size	A		B		C		D		E		F Min		G Min		H (open)	
	in	mm	in	mm	in	mm	in	mm	in	mm	in	mm	in	mm	in	mm
<b>1</b>	.984	25.0	1.250	31.8	.75	19.1	1.06	26.9	.53	13.5	.50	12.7	.350	8.9	.188	4.8
<b>2</b>	1.312	33.3	1.580	40.1	.75	19.1	1.06	26.9	.53	13.5	.50	12.7	.562	14.3	.188	4.8
<b>3</b>	1.852	47.0	2.100	53.3	.75	19.1	1.06	26.9	.53	13.5	.50	12.7	1.000	25.4	.188	4.8
<b>4</b>	2.500	63.5	2.750	69.9	1.00	25.4	1.31	33.3	.53	13.5	.68	17.3	1.625	41.3	.188	4.8
<b>5</b>	2.406	61.1	2.680	68.1	1.00	25.4	1.31	33.3	.66	16.8	.68	17.3	1.500	38.1	.250	6.4
<b>6</b>	2.500	63.5	2.740	69.6	1.00	25.4	1.31	33.3	.71	18.5	.68	17.3	1.625	41.3	.250	6.4

D-SUBMINIATURE ACCESSORIES