

D-Subminiature

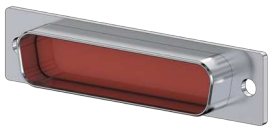
500-024, 500-068

Dummy Stowage Plugs and Receptacles

Use dummy stowage accessory to secure and protect unused D-Subminiature connectors. Aluminum with silicone rubber gasket.



500-024
Dummy Receptacle for Stowing D-Sub Socket (Plug) Connectors

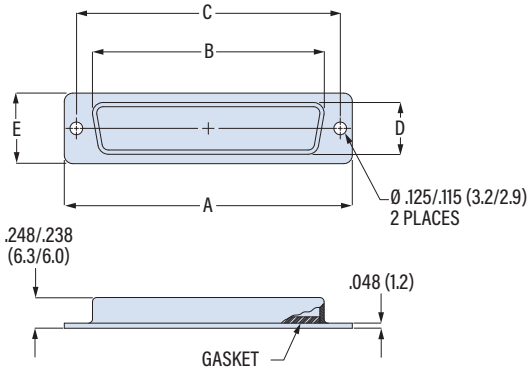


500-068
Dummy Plug for Stowing D-Sub Pin (Receptacle) Connectors

PART NUMBER	
Sample PN	500-024 M 4
Base P/N	500-024 Dummy Stowage Receptacle 500-068 Dummy Stowage Plug
Finish	TZ Tin-Zinc MN Mega-Nickel JF Cadmium, Yel. Chromate M Electroless Nickel NF Olive Drab Cadmium MT Nickel-PTFE ZR Black Zinc-Nickel
Shell Size	1 2 3 4 5 6

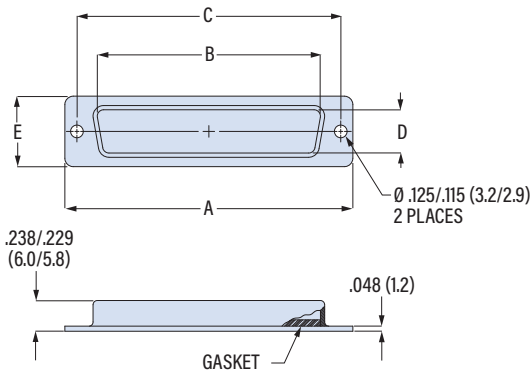
D-SUBMINIATURE ACCESSORIES

500-024 DUMMY STOWAGE RECEPTACLE



Shell Size	A		B Max		C $\pm .005$ (0.13)		D Max		E	
	in	mm	in	mm	in	mm	in	mm	in	mm
1	1.213	30.8	.648	16.5	.984	25.0	.316	8.0	.494	12.5
2	1.541	39.1	.976	24.8	1.312	33.3	.316	8.0	.494	12.5
3	2.088	53.0	1.516	38.5	1.852	47.0	.316	8.0	.494	12.5
4	2.729	69.3	2.164	55.0	2.500	63.5	.316	8.0	.494	12.5
5	2.635	66.9	2.069	52.6	2.406	61.1	.428	10.9	.605	15.4
6	2.729	69.3	2.194	55.7	2.500	63.5	.490	12.4	.668	17.0

500-068 DUMMY STOWAGE PLUG



Shell Size	A		B Min		C $\pm .005$ (0.13)		D Max		E	
	in	mm	in	mm	in	mm	in	mm	in	mm
1	1.213	30.8	.661	16.8	.984	25.0	.324	8.2	.494	12.5
2	1.541	39.1	.989	25.1	1.312	33.3	.324	8.2	.494	12.5
3	2.088	53.0	1.529	38.8	1.852	47.0	.324	8.2	.494	12.5
4	2.729	69.3	2.177	55.3	2.500	63.5	.324	8.2	.494	12.5
5	2.635	66.9	2.074	52.7	2.406	61.1	.436	11.1	.605	15.4
6	2.729	69.3	2.207	56.1	2.500	63.5	.498	12.6	.668	17.0