

D-Subminiature

289-181

Potting Shell, HiPer-D

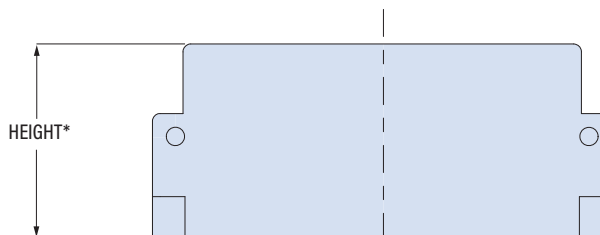


289-181

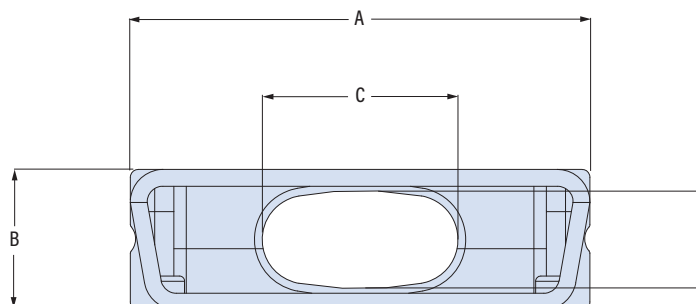
This accessory fits HiPer-D connectors with backshell groove: 280-018P, 280-019S, 280-046P, 280-047S. Not compatible with standard D-Sub connectors.

HiPer-D Potting Shell. Low profile two piece potting shell fits HiPer-D® connectors with backshell groove (280-018P, 280-019S, 280-046P, 280-047S). Available in five standard finishes. Fill cavity with potting compound to provide wire strain relief. Aluminum with passivated stainless steel screwlocks and clips.

PART NUMBER			
Sample PN→	289-181	2	NF
Base P/N	289-181		
Shell Size	1 2 3 4 5 6		
Finish	TZ Tin-Zinc MN Mega-Nickel JF Cadmium, Yel. Chromate M Electroless Nickel NF Olive Drab Cadmium MT Nickel-PTFE ZR Black Zinc-Nickel		
Height	Omit .75 (19.1) Height 4 1.00 (25.4) Height 6 1.50 (38.1) Height		



* HEIGHT ACCORDING TO P/N



Shell Size	A Max		B Max		C		D	
	in	mm	in	mm	in	mm	in	mm
1	.894	22.7	.550	14.0	.65	16.5	.38	9.7
2	1.218	30.9	.550	14.0	.88	22.4	.38	9.7
3	1.760	44.7	.550	14.0	1.50	38.1	.38	9.7
4	2.408	61.2	.550	14.0	2.13	54.1	.38	9.7
5	2.297	58.3	.654	16.6	1.90	48.3	.50	12.7
6	2.422	61.5	.716	18.2	2.13	54.1	.55	14.0