

D-Subminiature

289-062

Jackscrew, HiPer-D

- For Connector without Backshell
- Fits Series 28 HiPer-D and M24308
- Includes Retention Clip

289-062 JACKSCREW FOR HIPER-D CONNECTOR WITHOUT BACKSHELL



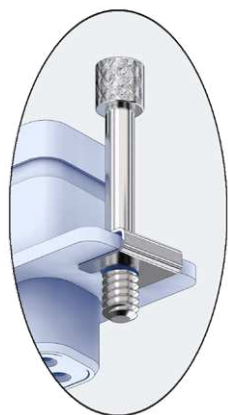
Socket Head Jackscrew



Hex Head Jackscrew



Slot Head Jackscrew

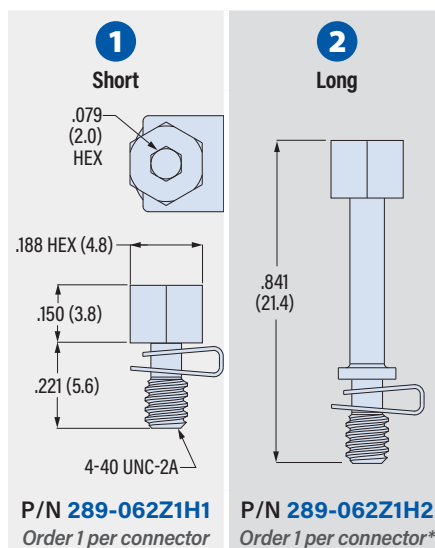


Long Jackscrew

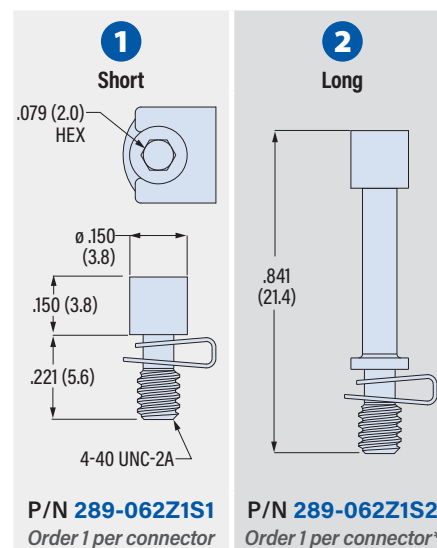
Jackscrew fits Series 28 HiPer-D and M24308 D-Subminiature connectors. Available in two lengths and three styles: socket head, hex head and knurled slot head. For connector without backshell. Kit includes (2) jackscrews and (2) clips. 300 Series stainless steel. *Order (1) kit per connector.*

PART NUMBER		
Length	Head Style	Part No.
Short 1	Socket Head	289-062Z1S1
	Hex Head	289-062Z1H1
	Knurled Slot Hd.	289-062Z1F1
Long 2	Socket Head	289-062Z1S2
	Hex Head	289-062Z1H2
	Knurled Slot Hd.	289-062Z1F2

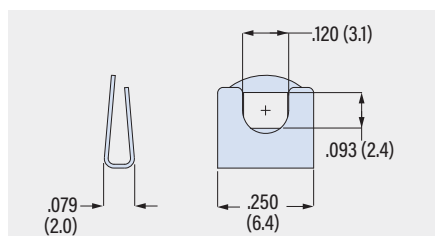
HEX HEAD



SOCKET HEAD



RETENTION CLIP



*the '2' length Long jackscrew does not work with backshells 289T005, 289S005, 289T008, and 289S008. Order '1' length Short jackscrew for these backshells.

KNURLED SLOT HEAD

