

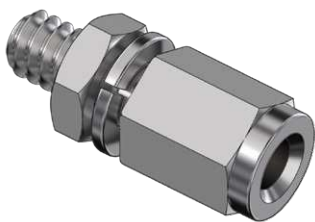
D-Subminiature

289-015, 289-016, 559-001

Female Screwlock, Panel Mounting

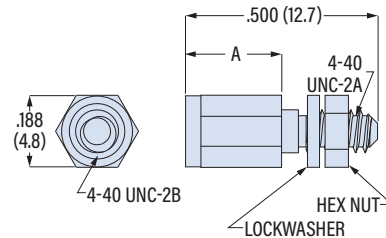
D-SUBMINIATURE ACCESSORIES

289-015 FEMALE SCREWLOCK KIT, FRONT OR REAR MOUNTING, .50 (12.7) OAL

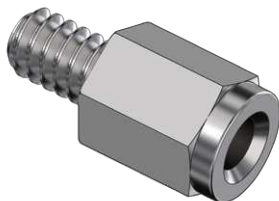


Attach D-Subminiature connectors to panel with 289-015 female screwlock kit. Kit contains (2) posts, (2) lockwashers and (2) nuts. 300 Series stainless steel.
Order (1) kit per connector.

PART NUMBER					
Panel Thickness		Part No.	A		
in	mm		in	mm	
(None)	(None)	289-015-A	.250	6.4	
.031	0.8	289-015-B	.219	5.6	
.047	1.2	289-015-C	.203	5.2	
.062	1.6	289-015-D	.188	4.8	

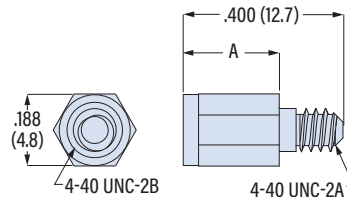


289-016 FEMALE SCREWLOCK, HIPER-D, .40 (10.2) OAL



Attach connector to panel with shortened 289-016 female screwlock. For use with HiPer-D connectors with tapped 4-40 mounting holes. Install with threadlocking compound. Kit contains (2) posts. 300 Series stainless steel, passivated.
Order (1) kit per connector.

PART NUMBER					
Panel Thickness		Part No.	A		
in	mm		in	mm	
(None)	(None)	289-016-A	.250	6.4	
.031	0.8	289-016-B	.219	5.6	
.047	1.2	289-016-C	.203	5.2	
.062	1.6	289-016-D	.188	4.8	

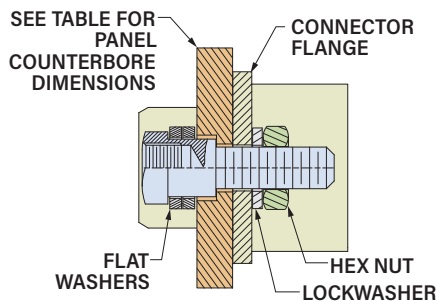
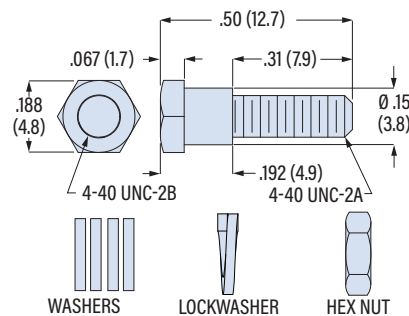


559-001 FEMALE SCREWLOCK KIT, REAR MOUNTING



For rear panel mounting. Attach D-Subminiature connectors to panel with 559-001 female screwlock kit. Kit contains (2) posts, (8) flat washers, (2) lockwashers and (2) nuts. 300 Series stainless steel.
Order (1) kit per connector.

PART NUMBER	
Material/ Finish	Part No.
Steel/ Yellow Chromate over Cadmium	559-001
Stainless Steel/ Passivated	559-001-49



Panel Thickness	A		ø B		No. of Washers
	in	mm	in	mm	
.031	0.8	— No Counterbore	—	4	
.047	1.2	— No Counterbore	—	4	
.062	1.6	.020	0.51	4.3	3
.093	2.4	.051	1.30	4.3	2
.104	2.6	.062	1.6	4.3	1
.125	3.2	.083	2.1	4.3	1
.156	4.0	.114	2.9	4.3	2
.140	3.5	.098	2.5	4.3	2
.188	4.8	.146	3.7	5.6	2