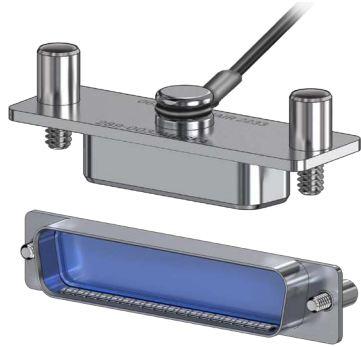


# D-Subminiature

## 289-003, 289-004, 289-019

### Protective Cover

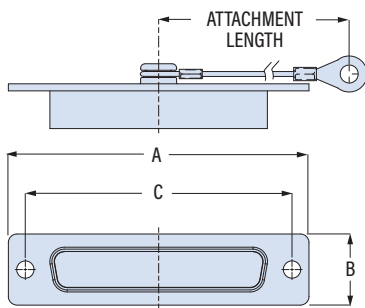
D-SUBMINIATURE ACCESSORIES



#### 289-003, 289-004, 289-019

This accessory fits D-Subminiature M24308 and Series 28 HiPer-D connectors.

Protective cover fits Glenair Series 28 HiPer-D connectors and MIL-DTL-24308 connectors. Socket connector cover fits over connector shell and has fluorosilicone gasket. Pin connector cover fits inside connector shell. Socket connector cover has optional ground springs for EMI protection. Attach to panel with optional lanyard. Aluminum or stainless steel. Stainless steel screwlocks. Socket cover has nickel-plated copper alloy ground springs and fluorosilicone gasket.

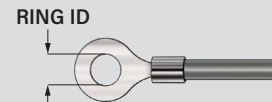


Shell Size	A		B		C	
	±.015 (0.38) in	mm	±.015 (0.38) in	mm	in	mm
1	1.213	30.8	.494	12.6	.984	25.0
2	1.541	39.1	.494	12.6	1.312	33.3
3	2.088	53.0	.494	12.6	1.852	47.0
4	2.729	69.3	.494	12.6	2.500	63.5
5	2.635	66.9	.605	15.4	2.406	61.1
6	2.729	69.3	.668	17.0	2.500	63.5

#### PART NUMBER

Sample PN → **289-003 ME 3 S F 4 -06**

<b>Base P/N</b>	<b>289-003</b> Cover, Pin Connector															
	<b>289-004</b> Cover, Socket Connector, with Ground Springs															
	<b>289-019</b> Cover, Socket Connector, No Ground Springs															
<b>Shell Size</b>	<b>1 2 3 4 5 6</b>															
<b>Material / Finish</b>	<b>TZ</b> Tin-Zinc <b>MN</b> Mega-Nickel <b>ME</b> Aluminum/Electroless Nickel <b>NF</b> Aluminum/Olive Drab Cadmium <b>MT</b> Aluminum/Nickel-PTFE <b>ZR</b> Aluminum/Black Zinc-Nickel <b>ZI</b> SST/Passivated															
<b>Screwlocks</b>	<b>N</b> No Screwlocks (.120 (3.0) dia. thru-holes) <b>S</b> Socket Head Male Screwlocks <b>P</b> Female Screwlocks (fixed, non-rotating)															
<b>Attachment Type</b>	<b>N</b> No Attachment <b>F</b> Wire Rope, Black Nylon Jacket <b>H</b> Wire Rope, Black FEP Jacket															
<b>Attachment Length</b>	Omit for Attachment Type N Length in One Inch Increments (Example: "5" for five inches)															
<b>Attachment Diameter</b>	Omit for Attachment Type N <table border="1"> <thead> <tr> <th>Code</th> <th>Screw Size</th> <th>Ring ID</th> </tr> </thead> <tbody> <tr> <td>Omit</td> <td>#4</td> <td>.126 (3.2)</td> </tr> <tr> <td>-06</td> <td>#6</td> <td>.145 (3.7)</td> </tr> <tr> <td>-08</td> <td>#8</td> <td>.187 (4.7)</td> </tr> <tr> <td>-10</td> <td>#10</td> <td>.197 (5.0)</td> </tr> </tbody> </table>	Code	Screw Size	Ring ID	Omit	#4	.126 (3.2)	-06	#6	.145 (3.7)	-08	#8	.187 (4.7)	-10	#10	.197 (5.0)
Code	Screw Size	Ring ID														
Omit	#4	.126 (3.2)														
-06	#6	.145 (3.7)														
-08	#8	.187 (4.7)														
-10	#10	.197 (5.0)														



**TABLE 1**  
SCREWLOCK OPTIONS

<b>S</b>	<b>P</b>
4-40 SST Socket Head Male Screwlocks and Retainers	4-40 SST Female Screwlocks, Nuts, and Lockwashers

**TABLE 2**  
ATTACHMENT TYPE

<b>F</b>	
	<b>Wire Rope, Black Nylon Jacket</b> 6/6 nylon over stainless steel rope, .034 (0.9) diameter, good flexibility, good abrasion resistance, -55 to +100 °C
<b>H</b>	
	<b>Wire Rope, Black FEP Jacket</b> Black FEP jacket over SST rope, good flexibility, good abrasion resistance, .034" diameter, -65 to +200 °C