

SERIES 973 PowerPlay™ High-Power Connectors and Cables



600-325 Torque Holder for PowerPlay Connectors

CONTACTS

MATERIAL/FINISH

- Holding tools: heat treated alloy steel / nickel

NOTES

- Assembly identified with manufacturer's name and P/N space permitting.
- Use in conjunction with Glenair 602-002 torque wrench.

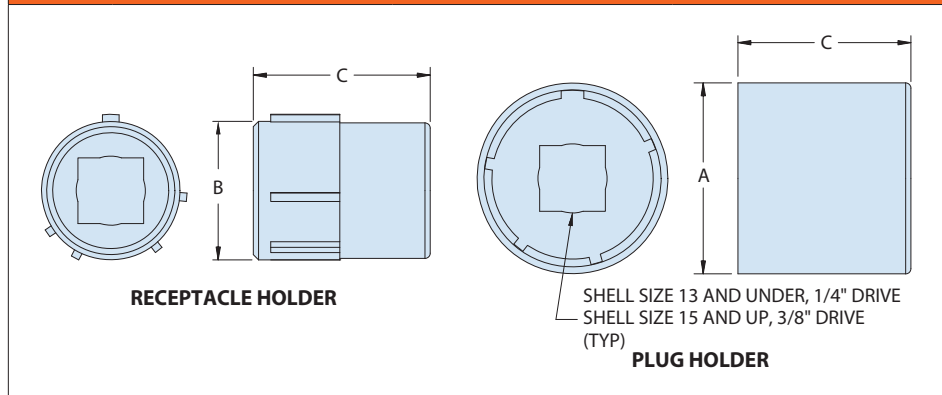
RECOMMENDED TORQUE

Dash No	Torque
11	80 Inch/Lbs
13	110 Inch/Lbs
15	120 Inch/Lbs
17	120 Inch/Lbs
19	120 Inch/Lbs
21	140 Inch/Lbs
23	140 Inch/Lbs
25	140 Inch/Lbs

HOW TO ORDER

Sample Part Number	600-325 -15 P N
Basic Part Number	Jam Nut Wrench
Dash Number	See Table I
Type	P = Plug Holder R = Receptacle Holder
POLARIZATION	A, B, C, D, E, F, G, and N

DIMENSIONS



Shell Size	A Dia Max	B Dia Max	C Dim Max
11	.709 (18.01)	.566 (14.38)	1.031 (26.19)
13	.829 (21.06)	.678 (17.22)	1.031 (26.19)
15	.954 (24.23)	.803 (20.40)	1.031 (26.19)
17	1.107 (28.12)	.928 (23.57)	1.031 (26.19)
19	1.190 (30.23)	1.033 (26.24)	1.031 (26.19)
21	1.315 (33.40)	1.158 (29.41)	1.031 (26.19)
23	1.440 (36.58)	1.283 (32.59)	1.031 (26.19)
25	1.565 (39.75)	1.408 (35.76)	1.031 (26.19)