

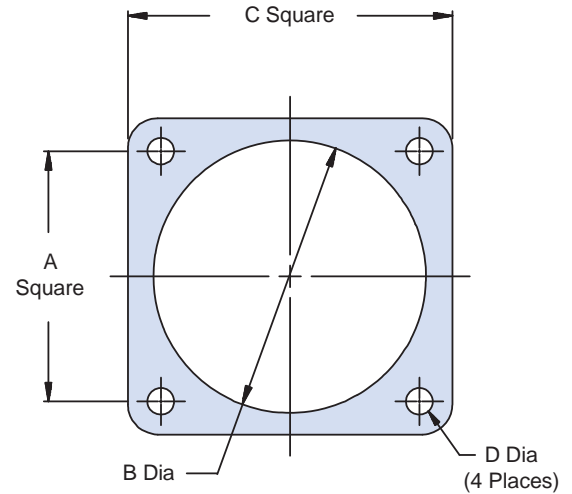
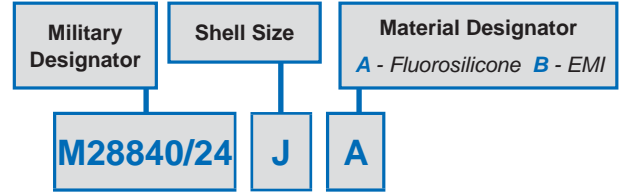
M28840 (/24) and 930-006
Wall-Mount Receptacle Mounting Gaskets
 for use with MIL-PRF-28876 (/1, /2, /3, /4)
 and 180-040 (-03, -13, -23, -33) Commercial Connectors



MIL-PRF-28876 QPL
 Connectors/Accessories

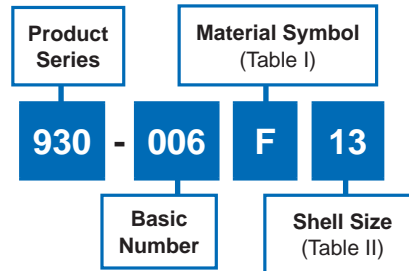
MIL-PRF Wall-Mount Receptacle Mounting Gasket

Shell Size	A	B Dia.	C	D Dia.
A (11)	.760 (19.30)	.766 (19.46)	1.039 (26.39)	.130 (3.30) .110 (2.79)
	.740 (18.80)	.750 (19.05)	1.023 (25.98)	
B (13)	.853 (21.67)	.891 (22.63)	1.154 (29.31)	
	.833 (21.16)	.875 (22.22)	1.138 (28.90)	
C (15)	.978 (24.84)	1.078 (27.38)	1.274 (32.36)	
	.958 (24.33)	1.062 (26.97)	1.258 (31.95)	
D (17)	1.025 (26.04)	1.141 (28.98)	1.399 (26.39)	
	1.005 (25.53)	1.125 (28.58)	1.383 (35.13)	
E (19)	1.150 (29.21)	1.338 (33.98)	1.524 (38.71)	
	1.130 (28.70)	1.312 (33.32)	1.508 (38.30)	
F (23)	1.291 (32.79)	1.516 (38.51)	1.734 (44.04)	
	1.271 (32.28)	1.500 (38.10)	1.718 (43.64)	
G (25)	1.402 (35.61)	1.641 (41.68)	1.834 (46.58)	.157 (3.99) .137 (3.48)
	1.382 (35.10)	1.625 (41.28)	1.818 (46.18)	
H (29)	1.578 (40.08)	1.891 (48.03)	2.154 (54.71)	
	1.558 (39.57)	1.875 (47.62)	2.138 (54.30)	
J (33)	1.744 (44.30)	2.078 (52.78)	2.344 (59.54)	.183 (4.65) .163 (4.14)
	1.724 (43.79)	2.062 (52.37)	2.328 (59.13)	

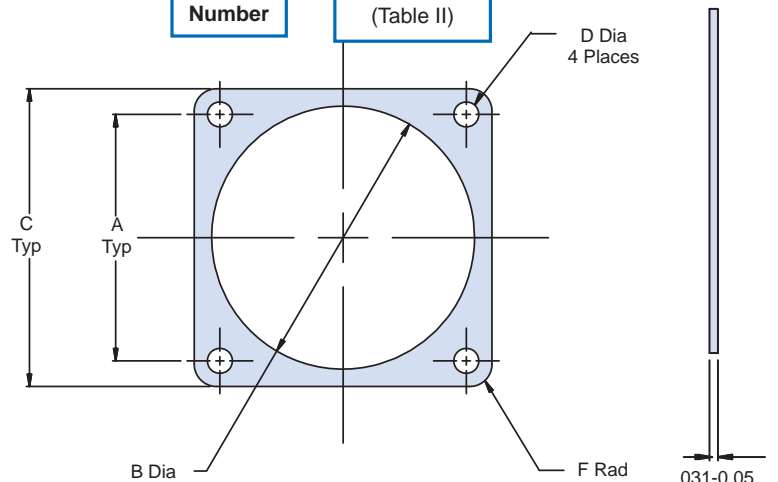


Commercial Wall-Mount Receptacle Mounting Gasket

Symbol	Material Description
F	Fluorosilicone
M	Silver Plated Glass Filled Silicone
N	Neoprene



Shell Size	A ± .010	Ø B +.016 / -.000	C .016 / -.000	Ø D ± .010	F Radius ± .010
11	.750	.750	1.023	.120	.141
13	.843	.875	1.138		
15	.968	1.062	1.258		
17	1.015	1.125	1.383		
19	1.140	1.312	1.508		
23	1.281	1.500	1.718		
25	1.392	1.625	1.818	.147	.188
29	1.568	1.875	2.138		
33	1.734	2.062	2.328		



Dimensions in Inches (millimeters) are subject to change without notice.