

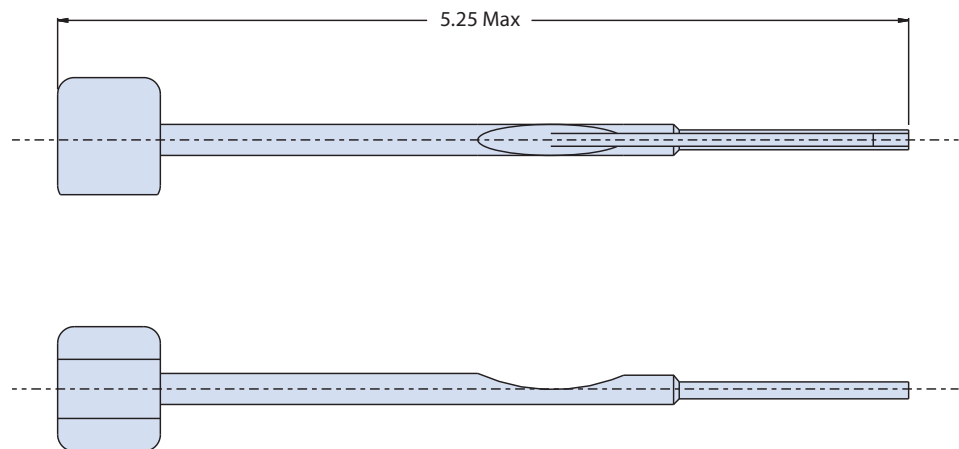
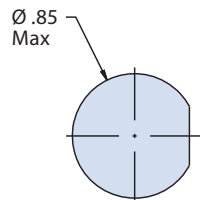
182-013
Straight Insertion Tool
For Fiber Optic Termini



Straight Insertion Tool for Fiber Optic Termini

The preferred tool of seasoned fiber optic technicians, the straight insertion tool is designed to aid users in populating connectors with fiber optic termini. Gone are the days of damaged fibers and sore fingers—this convenient tool features a comfortable handle and specially designed insertion tip for use with M29504, GHD and many other termini available from Glenair.

Part Number	Compatible Termini	
182-013	181-039	M29504/14 Pin
	181-040	M29504/15 Socket
	181-051	M29504/3 Dummy
	181-011	Size 16 Socket
	181-012	Size 16 Pin
	181-047	GHD, Keyed
	181-056	GHD, Non-Keyed
	181-043	NGCON



Dimensions in Inches (millimeters) are subject to change without notice.